



OEM Sensors for HVAC manufacturers

POOL WATER

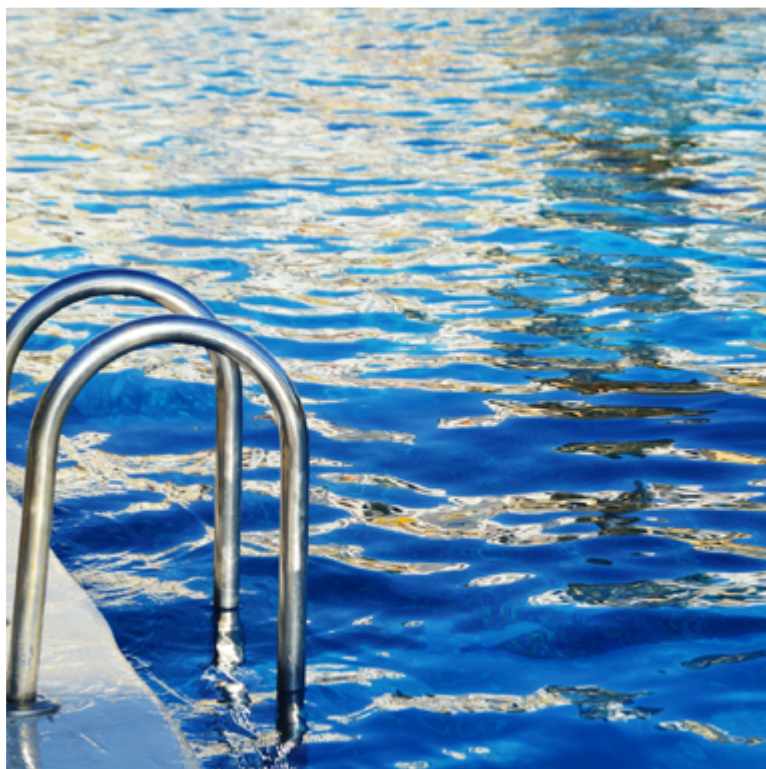


Pool water

Typical flow switch application

Product features

- Pump monitoring
- For pool heaters or water disinfection
- Protection against overheating, dry-running and gas formation
- Installation with union nut or push-in
- Paddle reset with magnetic force
- More than 1 000 000 switching cycles (load-dependent)
- Metal-free for seawater pools
- Proven in the market leader's pool heaters

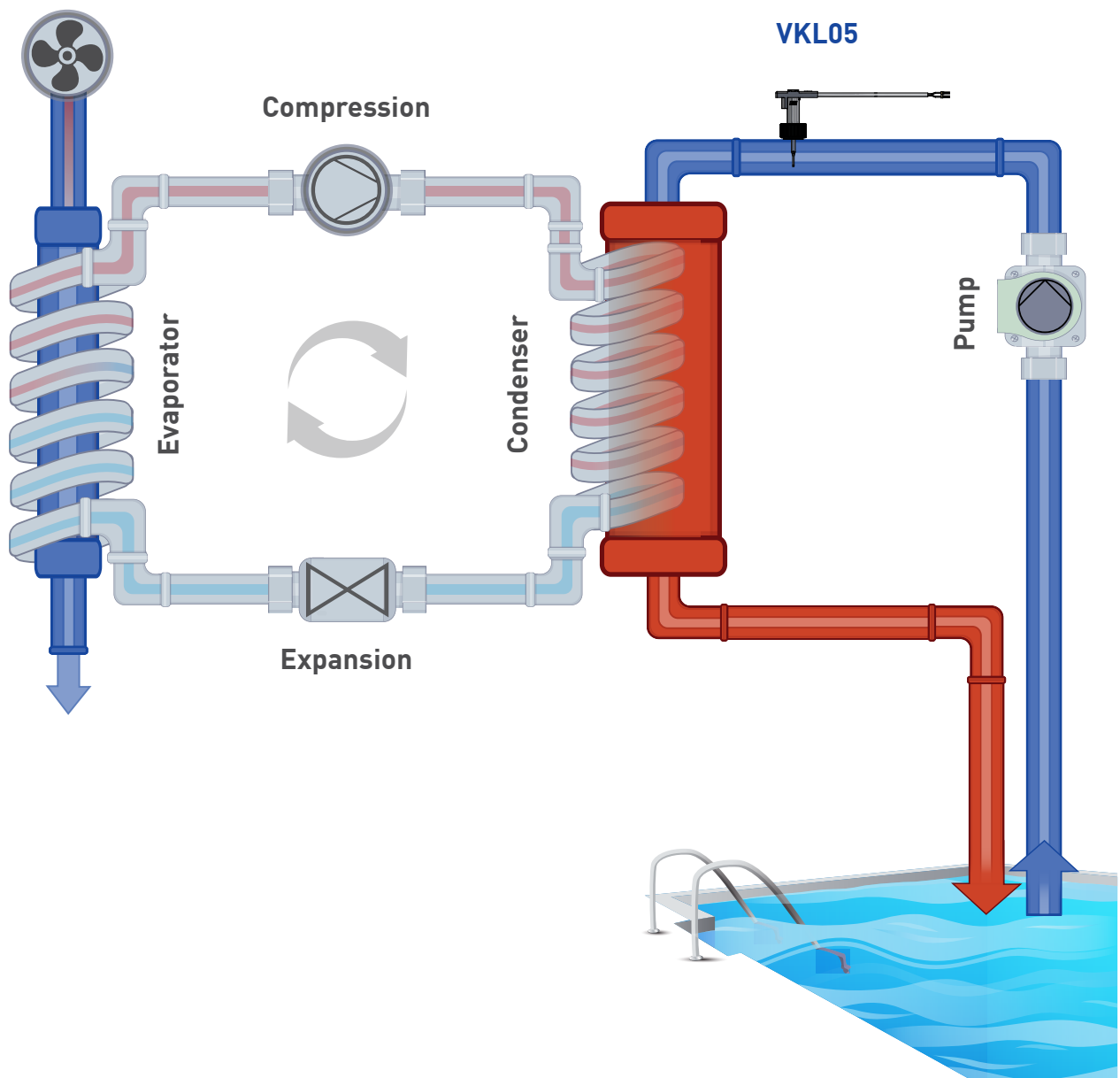


VKL05 for pool heat pumps

The flow switches are typically utilised in pool heaters or pool water disinfection units. They can prevent overheating (heaters) or overdosing (disinfectors). The flow switch monitors the flow rate and can easily detect pump breakdowns. The inexpensive insertion installation into DN50 or DN65 plastic pipes is the most common kind of installation. Metal free versions are suitable for sea water pools.

“ The pump monitoring is not affected by different vertical heights of pool and heater. ”

Outside air



VKL05 // for insertion installation



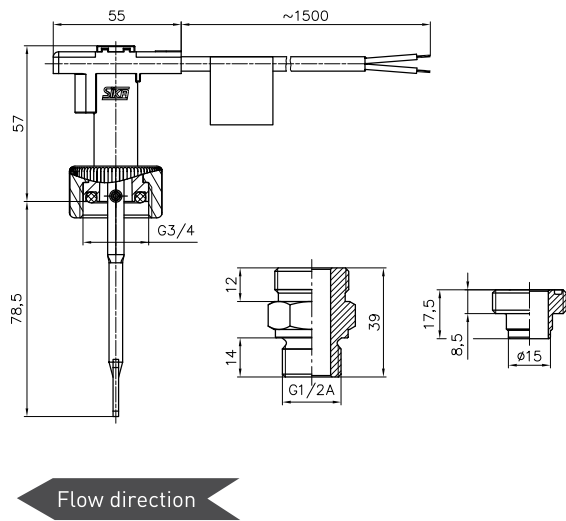
VKL05

Your advantages

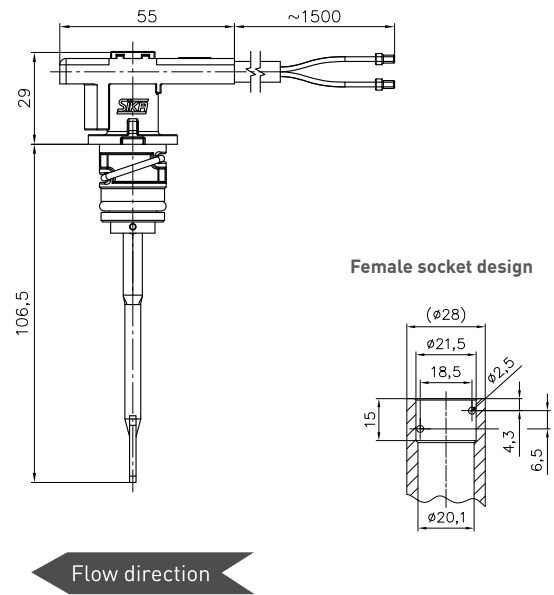
Series	VKL05 / VKL05 Push-In
	<ul style="list-style-type: none"> • Direct installation into pipe lines DN 50...150 • Optional: Push-In installation • Sealed with integrated O-ring

Technical data	VKL05 / VKL05 Push-In
Switching function	Contact closes at increasing flow
Nominal diameter range	Applicable in DN 50...150
Pressure rating	PN 10
Temperature ranges	
Medium	-20...70 °C
Ambient	-20...70 °C
Electrical data	
Electrical connection	1.5 m PVC jacket cable
Degree of protection EN 60529	IP65
Max. Switching current	1 A
Max. Rating	26 VA, 20 W
Max. Switching voltage	230 VAC, 48 VDC
Protection class EN 60730-1	Class II

VKL05



VKL05 Push-In



Female socket design

Materials in contact with fluid

Type	VKL05	VKL05 Push-In
Body	PPE+PS Noryl™ 30 % glass fibre reinforced	
Paddle	PPE+PS Noryl™ 30 % glass fibre reinforced	
Pin	PPE+PS Noryl™ 30 % glass fibre reinforced	
Magnet	Hard ferrite	
O-ring	EPDM	
Soldering adapter	Brass CW614N	
Process connection	Brass CW614N or stainless steel 1.4571	

Order code

Type	
VKL05	VKL05M1P2BP

Process connection

Union nut G ³ / ₄	U10
Threaded adapter G ¹ / ₂ brass	R21
Threaded adapter G ¹ / ₂ stainless steel	R23
Soldering adapter	D11
Push-In for manifold mounting	H20

Example order number	VKL05M1P2BP	U10
-----------------------------	--------------------	------------



VKX05 // for insertion installation

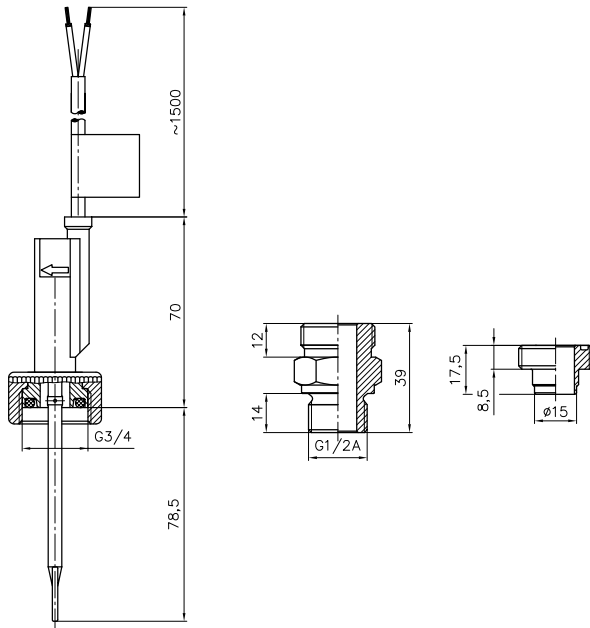


VKX05

Your advantages

Series	VKX05
	<ul style="list-style-type: none"> • Direct installation into pipe lines DN 50...150 • Sealed with integrated O-ring

Technical data	VKX05
Switching function	Contact closes at increasing flow
Nominal diameter range	Applicable in DN 50...150
Pressure rating	PN 10
Temperature ranges	
Medium	-20...100 °C
Ambient	-20...70 °C
Electrical data	
Electrical connection	1.5 m PVC jacket cable
Degree of protection EN 60529	IP65
Max. Switching current	Max. 1 A
Max. Rating	Max. 26 VA, 20 W
Max. Switching voltage	230 VAC, 48 VDC or 24 VAC, 42 VDC
Protection class EN 60730-1	Class II or Class III
Approvals	
 	



Materials in contact with fluid	
Type	VKX05
Body	PPE+PS Noryl™ 30 % glass fibre reinforced
Paddle	PPE+PS Noryl™ 30 % glass fibre reinforced
Pin	Stainless steel 1.4571 or titanium
Magnet	Hard ferrite
O-ring	EPDM
Soldering adapter	Brass CW614N
Process connection	Brass CW614N or stainless steel 1.4571

Order code			
Type			
VKX05	VKX05M2P2		
VKX05 with titanium pin	VKX05M2B2		
Switching voltage			
230 VAC, 48 VDC		AP	
24 VAC, 42 VDC		BP	
Process connection			
Union nut G ³ / ₄			U10
Threaded adapter G ¹ / ₂ brass			R21
Threaded adapter G ¹ / ₂ stainless steel			R23
Soldering adapter			D11
Example order number	VKX05M2P2	AP	U10

SIKA Headquater

SIKA Dr. Siebert & Kühn GmbH & Co. KG
Struthweg 7-9
34260 Kaufungen / Germany
Phone +49 5605 803-0
Fax +49 5605 803-555
email: info@sika.net
www.sika.net



SIKA Worldwide

SIKA Austria

Phone +43 1865 2627
Fax +43 1865 2627
email: holzer@sika.net
www.sika-messtechnik.at

SIKA USA Inc.

Phone +1 262 886-2695
Fax +1 262 898-0101
email: info@sika-usa.com
www.sika-usa.com

SIKA Indonesia

Phone +62 21 829-4230
Fax +62 21 829-8464
email: sika.ind@gmail.com
www.sika.net

SIKA Instruments Ltd. UK

Phone +44 1908 320265
email: thomas@sika-instruments.co.uk
www.sika.net

SIKA Greater China

Phone +86 10 6417 6123
Fax +86 10 6416 5123
email: info@sika-china.com.cn
www.sika-china.com.cn

SIKA Philippines

Phone +63 998 8288722
email: sika@rwkc.de
www.sika.net

SIKA France s.a.r.l.

Phone +33 140 3808-08
Fax +33 140 3423-90
email: sika.fr@wanadoo.fr
www.sika.net

SIKA Korea Ltd.

Phone +82 31 243 1035
Fax +82 31 243 1066
email: peter@sika-korea.com
www.sika-korea.com

SIKA Nordics

Phone +46 70 5605-862
email: per@sika-instruments.se
www.sika.net