



OEM Sensors for HVAC manufacturers

HEAT TRANSFER STATIONS

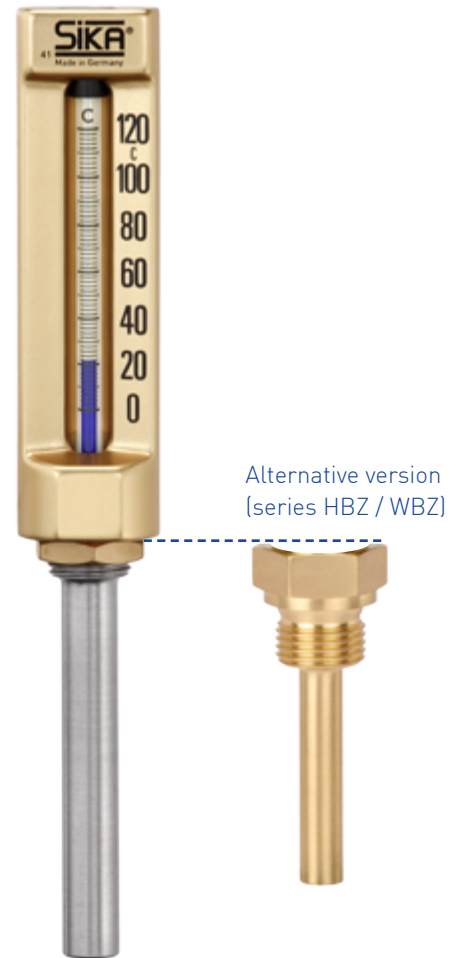


Heat transfer stations

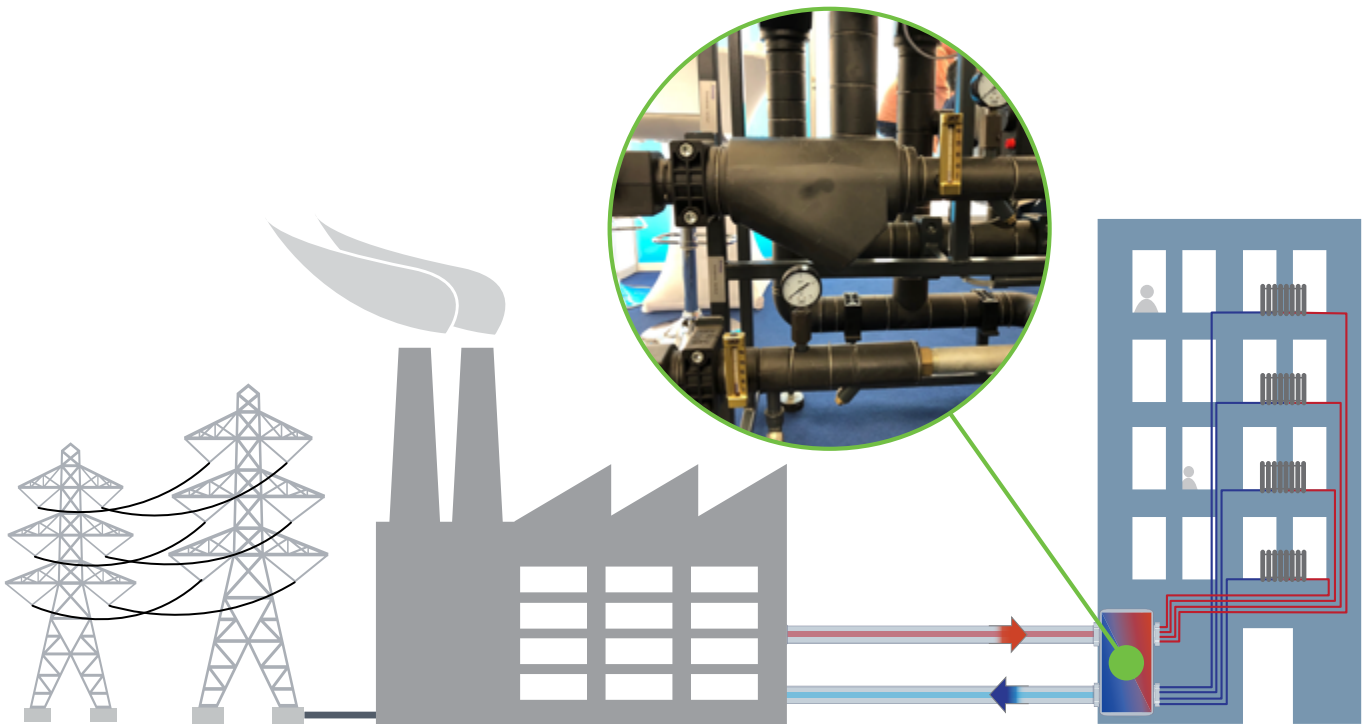
Typical application for industrial thermometers

Product features

- For installation in heat transfer stations
- With immersion tube for welding or screwing in
- Not possible to manipulate
- No auxiliary power required, maintenance free
- Lifelong accuracy according to DIN 16195



“ *Reliable measurement technology from the inventor of the v-line industrial glass thermometer* ”



Industrial thermometers for heat transfer stations

Reliable temperature indication for inspection and approval.
Maintenance-free and reliable for many years.

- Immersion lengths can be selected according to the nominal diameter and installation conditions
- Special solutions tailored to your applications are possible

For steel pipes, versions are available for welding in, alternatively versions with brass immersion tube and fixed male thread are available.

Weld-in immersion tube // Nominal size 110 // Aluminium anodized



Your advantages

Type	174 /175 A
	<ul style="list-style-type: none"> • Accuracy according to DIN 16195 • No aging - no moving parts and no mechanical wear • Lifetime warranty* • Completely without electrical auxiliary energy

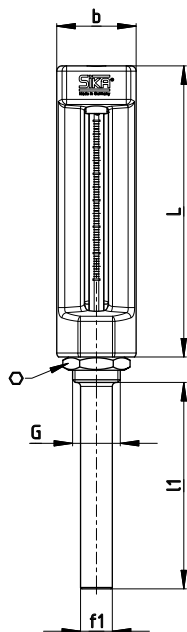
Technical data

Type	174 A	175 A
Standard	DIN 16181 B, B1 and DIN 16182 S, S1	
Version	Straight	Angle 90°
Dimensions Housing	110 x 30 mm	
Measuring range according to DIN	Between 60...120 °C	
Error limits according to DIN 16195	2 °C	
Medium / Application	Liquid and gaseous media	
Immersion tube length	78, 115, 175 mm	
Immersion tube diameter	Ø 12 mm	
Process connection	Weld-in immersion tube	
Pressure rating**	PN 35	
Medium temperature	See selected measurement range	
Ambient temperature	-20...60 °C (only indoors)	
Storage temperature	-40...100 °C	

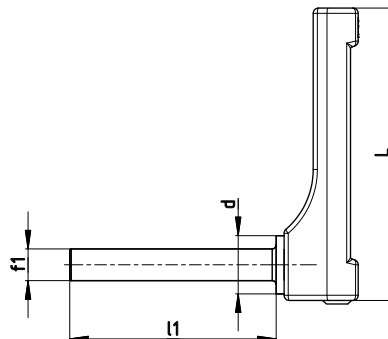
* Except glass breakage and improper installation.

** Non-binding guideline - For higher pressure loads, additional protection tubes have to be used.

Type 174 A



Type 175 A



Dimensions [mm]	L	f ₁	b	l ₁
174 A	110	Ø 12	30	78
175 A				115
				175

Material	
Housing	Warm pressed aluminium part, gold anodized
Thermometer capillary	Prismatic capillary tube of solid glass, bar-shaped, diameter approx. Ø 6 mm, scale permanently burnt in
Thermometer filling → Blue	Petroleum
Material in contact with media	
Process connection	see immersion tube material
Immersion tube material → Standard	steel, welded

Order code								
Version								
Straight	174							
Angle 90 °	175							
Immersion tube type								
Type A - plain immersion tube	1							
Display ranges								
0...120 °C		12						
0...160 °C		16						
Scale								
Celsius °C			1					
Thermometer filling								
Blue				1				
Immersion tube length (L)								
78 mm						078		
115 mm						115		
175 mm						175		
Process connection								
Weld-in immersion tube							0	
Immersion tube material								
Steel								2
Example order number	174	1	12	1	1	078	0	2

Fixed male thread // Nominal size 200, 150, 110 // Aluminium painted



Your advantages

Type	HBZ /WBZ
	<ul style="list-style-type: none"> • Accuracy according to DIN 16195 • No aging - no moving parts and no mechanical wear • Lifetime warranty* • Series production for large volume use • Completely without electrical auxiliary energy

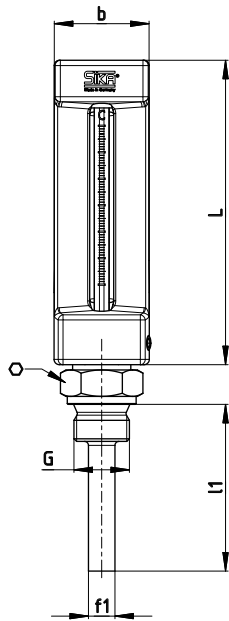
Technical data

Type	271 HBZ	272 WBZ	291 HBZ	292 WBZ	174 HBZ	175 WBZ
Standard	DIN 16181 bis 16190					
Version	Straight	Angle 90°	Straight	Angle 90°	Straight	Angle 90°
Dimensions Housing	200 x 36 mm		150 x 36 mm		110 x 36 mm	
Measuring range according to DIN	Between -30...200 °C					
Error limits according to DIN 16195	-30...100 °C = 2 °C 0...120 °C = 2 °C 0...200 °C = 4 °C		-30...120 °C = 2 °C 0...160 °C = 4 °C		2 °C	
Medium / Application	Liquid and gaseous media					
Immersion tube length	Between 63...250 mm					
Immersion tube diameter	Ø 10 mm					
Process connection	Fixed male thread G½					
Pressure rating**	PN 16 PN 35					
→ Immersion tube brass, brazed	PN 16					
→ Immersion tube steel or stainless steel, welded	PN 35					
Medium temperature	See selected measurement range					
Ambient temperature	-20...160 °C					
Storage temperature	-40...100 °C					

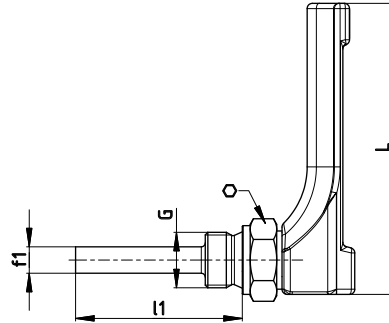
* Except glass breakage and improper installation.

** Non-binding guideline - For higher pressure loads, additional protection tubes have to be used.

Type 271 HBZ / 291 HBZ / 174 HBZ



Type 272 WBZ / 292 WBZ / 175 WBZ



Dimensions [mm]	L	f ₁	b	l ₁	G / ∅ Width across flats
271 HBZ / 272 WBZ	200	∅ 10	36	63	G _{1/2} / SW27
291 HBZ / 292 WBZ	150		36	100	
174 HBZ / 175 WBZ	110		36	250	

Material	
Housing	die-cast aluminium, gold painted
Thermometer capillary	Prismatic capillary tube of solid glass, bar-shaped, diameter approx. ∅ 6 mm, scale permanently burnt in
Thermometer filling → Blue	Petroleum
Material in contact with media	
Process connection	see immersion tube material
Immersion tube material → Standard → Optional	Brass, brazed Stainless steel, welded

Order code										
Version										
Nominal size 200										
Gold-coloured, Straight	271									
Gold-coloured, Angle 90°	272									
Nominal size 150										
Gold-coloured, Straight	291									
Gold-coloured, Angle 90°	292									
Nominal size 110										
Gold-coloured, Straight	174									
Gold-coloured, Angle 90°	175									
Immersion tube type										
Straight	HBZ	8								
Angle 90°	WBZ	4								
Display ranges										
-30...50 °C			35							
-10...50 °C			04							
0...60 °C			06							
0...100 °C			10							
0...120 °C			12							
0...160 °C			16							
0...200 °C			20							
Scale										
Celsius °C					1					
Thermometer filling										
Blue						1				
Immersion tube length (l₁)										
63 mm								063		
100 mm								100		
160 mm								160		
250 mm								250		
Process connection										
G½ / SW27 (other threads on request)									2	
Immersion tube material										
Brass										1
Stainless steel										3
Example order number	271	8	35	1	1	063	2	1		

**BEST
SELLER**

Type	Immersion tube length (l ₁)	Order number								
291 HBZ	Straight type, 0...120 °C with fixed male thread G½, Immersion tube brass	63 mm	291	8	12	1	1	063	2	1
	100 mm	291	8	12	1	1	100	2	1	
292 WBZ	Angle type, 0...120 °C with fixed male thread G½, Immersion tube brass	63 mm	292	4	12	1	1	063	2	1
		100 mm	292	4	12	1	1	100	2	1

SIKA Headquater

SIKA Dr. Siebert & Kühn GmbH & Co. KG
Struthweg 7-9
34260 Kaufungen / Germany
Phone +49 5605 803-0
Fax +49 5605 803-555
email: info@sika.net
www.sika.net



SIKA Worldwide

SIKA Austria

Phone +43 1865 2627
Fax +43 1865 2627
email: holzer@sika.net
www.sika-messtechnik.at

SIKA USA Inc.

Phone +1 262 886-2695
Fax +1 262 898-0101
email: info@sika-usa.com
www.sika-usa.com

SIKA Indonesia

Phone +62 21 829-4230
Fax +62 21 829-8464
email: sika.ind@gmail.com
www.sika.net

SIKA Instruments Ltd. UK

Phone +44 1908 320265
email: thomas@sika-instruments.co.uk
www.sika.net

SIKA Greater China

Phone +86 10 6417 6123
Fax +86 10 6416 5123
email: info@sika-china.com.cn
www.sika-china.com.cn

SIKA Philippines

Phone +63 998 8288722
email: sika@rwkc.de
www.sika.net

SIKA France s.a.r.l.

Phone +33 140 3808-08
Fax +33 140 3423-90
email: sika.fr@wanadoo.fr
www.sika.net

SIKA Korea Ltd.

Phone +82 31 243 1035
Fax +82 31 243 1066
email: peter@sika-korea.com
www.sika-korea.com

SIKA Nordics

Phone +46 70 5605-862
email: per@sika-instruments.se
www.sika.net