

**SIKA**<sup>®</sup>



**THERMO-  
METER  
FOR  
HEATING //**





**SIKA.  
THAT'S PRECISELY  
WHAT I NEED.**



Rolf Binder  
Product Manager





# Original SIKA Thermometers for Heating.

## Always accurate.

Here, in northern Hesse, you won't witness any emotional outbursts. Instead, we quietly enjoy things that work the way we expect them to. That is why we prefer convincing through our products and our services. Instead of big words, we let reliable new and proven solutions, which are always best suited to you and offer you more security, speak for themselves.

### **"MADE IN GERMANY" IN ITS PUREST FORM**

Founded in 1901, we are what is commonly called a traditional company. And we are very proud of that.

Today, we develop and manufacture a wide range of products for calibration and measurement. Always with the aim of meeting your needs and doing our part to contribute to your success.

Quality is close to our hearts, which is why we have always produced – and will continue to do so – at our location in the heart of Germany.

### **QUALITY DOWN TO THE SMALLEST DETAIL**

As your preferred partner for various measurement solutions, we want you to benefit from our expertise, market knowledge and technical advice.

With our worldwide network of subsidiaries and sales partners we are exactly there, where you need us.

### **ROBUST, DURABLE AND ACCURATE**

We have produced more than 15 million industrial thermometers since their invention in 1939. This confirms the reliability of our original product for 80 years.

Easy to set up and proven through thousands of applications. They are the perfect partner for precise temperature monitoring onsite without electric energy.

As durable components in long-lasting systems, they have become indispensable in heating, air-conditioning and ventilation technology.

// CHALLENGE US –  
THAT'S EXACTLY WHAT  
WE ARE LOOKING  
FORWARD TO. //





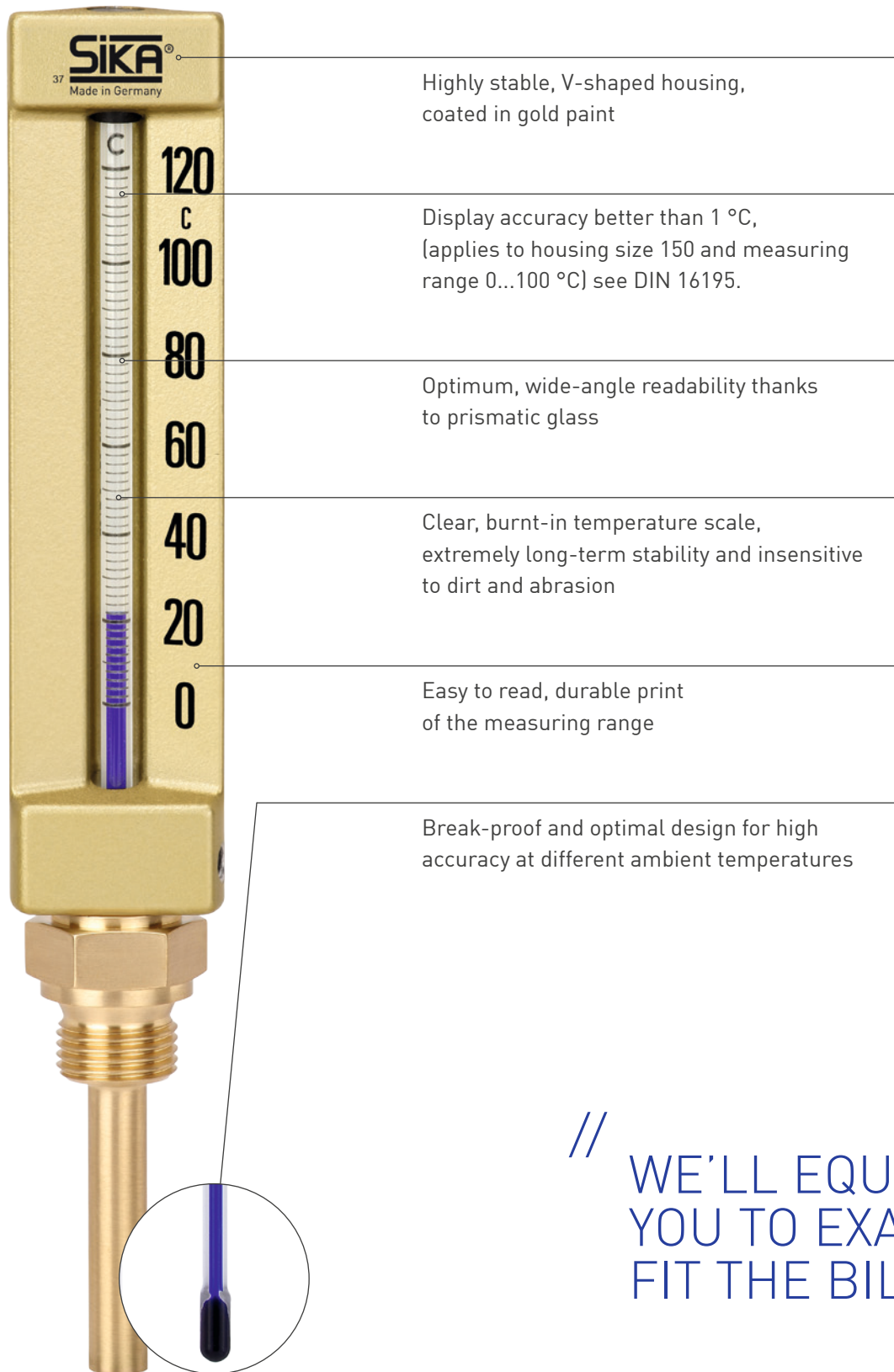
**BIG TALK ISN'T  
MY THING.  
THERMOMETERS  
FOR HEATING  
ARE.**



Bernhard Lechner  
Planner



# With great precision, if you don't mind. Perfect for everyone.



// WE'LL EQUIP  
YOU TO EXACTLY  
FIT THE BILL. //

# SIKA Thermometers for Heating

## Adapt to your needs.

### MOISTURE

does not bother the industrial thermometers at all. There are no malfunctions due to condensation water.

### THEY ALSO WITHSTAND

vibrations and impacts well. The rugged construction of the thermometers provides reliable protection against glass breakage.

### DUST AND DIRT

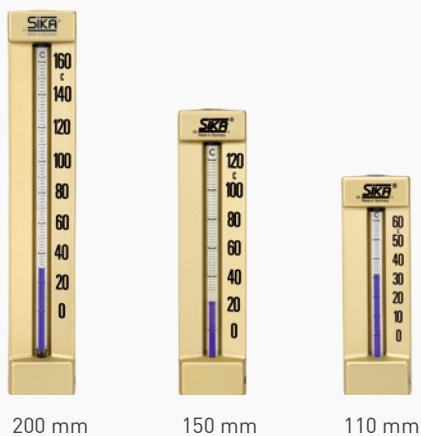
The industrial thermometers are indifferent to dust and dirt. The measuring range and the scale remain permanently legible.

### TIMELESSLY ACCURATE

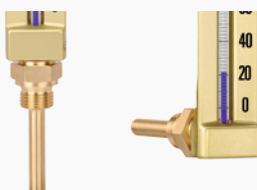
These thermometers measure with timeless accuracy for decades, completely without maintenance and care.

### THREE HOUSING SIZES IN TWO VERSIONS

// For different spatial conditions,  
reading distances and installation situations  
// 200 mm, 150 mm, 110 mm



// Straight or at 90° angle

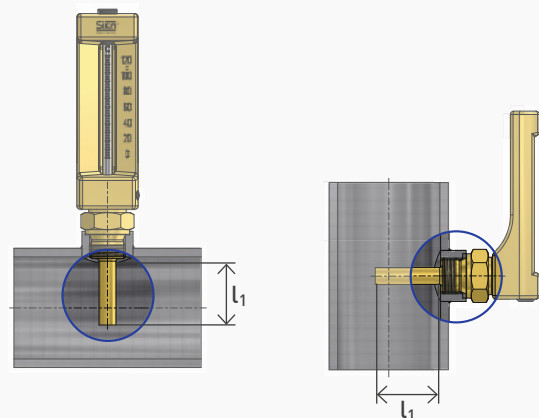


### SIMPLE INSTALLATION BEST MEASUREMENT RESULTS

// For optimum measurement results, the end of the immersion tube should be positioned just above the middle of the tube.

// For the immersion tube length ( $l_1$ ) the design of the connection sleeve and any insulation should be taken into account.

// Suitable for use in liquid and gaseous media.



## YOUR DIRECT ROUTE

Use this order key to quickly and easily obtain the product number for your desired thermometer – request a non-binding quotation now!

SALES AND TECHNICAL ADVICE:

Rainer Kleinschmidt  
Phone +49 5605 803-464  
r.kleinschmidt@sika.net

### Choose your thermometer design according to the spatial and installation situation

#### Housing size 200 mm

Straight (HBZ)	2718
Angled version 90° (WBZ)	2724

#### Housing size 150 mm

Straight (HBZ)	2918
Angled version 90° (WBZ)	2924

#### Housing size 110 mm

Straight (HBZ)	1748
Angled version 90° (WBZ)	1754

### Choose the desired display range taking into account the maximum media temperature

-30...50 °C	3511
-10...50 °C	0411
0...60 °C	0611
0...100 °C	1011
0...120 °C	1211
0...160 °C	1611
0...200 °C	2011

### Immersion tube installation lengths (l<sub>1</sub>) depending on tube diameter

63 mm (e.g for nominal widths DN100 – DN125)	063
100 mm (e.g for nominal widths DN150 – DN200)	100
160 mm (e.g for nominal widths DN250 – DN400)	160

### Process connection

G½ / SW27 (other connections on request)	2
--	---

### Immersion tube materials

Brass (nominal pressure up to 16 bar)	1
Stainless steel (nominal pressure up to 35 bar)	3

### Example product number

2718 3511 063 2 1



OEM Sensors  
**FOR HVAC MANUFACTURERS**



Did you know that the world's largest manufacturers of heating technology and heat pumps rely on sensors from SIKA?

Take a look at our industry catalogue: "OEM sensors for HVAC manufacturers". Here you will find an overview of our measurement and sensor technology that is optimal for use in HVAC systems. From indestructible industrial thermometers to flow measurement without moving parts. SIKA is your partner for high-quality and reliable measurement instruments.

Further information can also be found at [www.sika.net](http://www.sika.net)



**SIKA Dr. Siebert & Kühn GmbH & Co. KG**

Struthweg 7-9

34260 Kaufungen/Germany

Phone +49 5605 803-0

Fax +49 5605 803-555

[info@sika.net](mailto:info@sika.net)

[www.sika.net](http://www.sika.net)