

www.rmfiberglass.com

12', 14' & 16' Wide Enclosure Assembly Guide



RM Products Ltd

1-800-363-0867

www.rmfiberglass.com

Table of Contents

1. Handling and Storage	page 3 to 5
2. Parts and Tools List	page 7
3. Hardware	page 8
4. Maintenance.....	page 9
5. Panel Assembly: Rear Section Clamp/Bolt.....	page 10
6. Panel Assembly: Rear Section Lift	page 11
7. Panel Assembly: Rear Section Secure.....	page 12
8. Panel Assembly: Rear Panel Arrange.....	page 13
9. Panel Assembly: Rear Panels Lift and Secure	page 14
10. Panel Assembly: Rear Panel Bolt Assembly.....	page 15 & 16
11. Panel Assembly: Align and Secure	page 17
12. Panel Assembly: Expander and Gable	page 18
13. Panel Assembly: Remaining Sections Lift	page 19
14. Panel Assembly: Remaining Sections Clamp/Secure.....	page 20
15. Panel Assembly: Remaining Sections Bolt Assembly.....	page 21
16. Panel Assembly: Front Panel Set and Roof Seal	page 22
17. Panel Assembly: Caulking and Final Sealant.....	page 23 & 24
18. Lifting Hooks.....	page 25 & 26
19. Safety Hooks.....	page 27

For Video Clips of the following assembly click on the bar code, or go to:

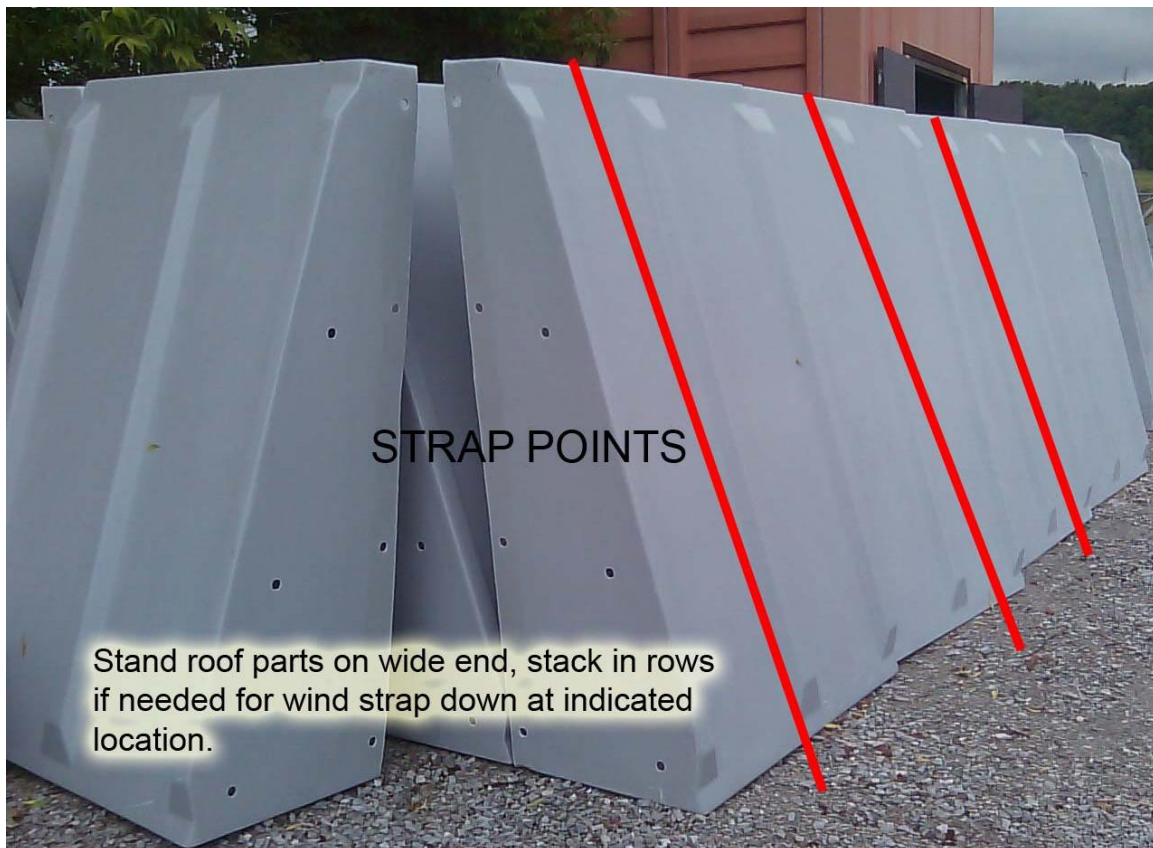
<http://www.rmfiberglass.com/supportdocsinstal.html>



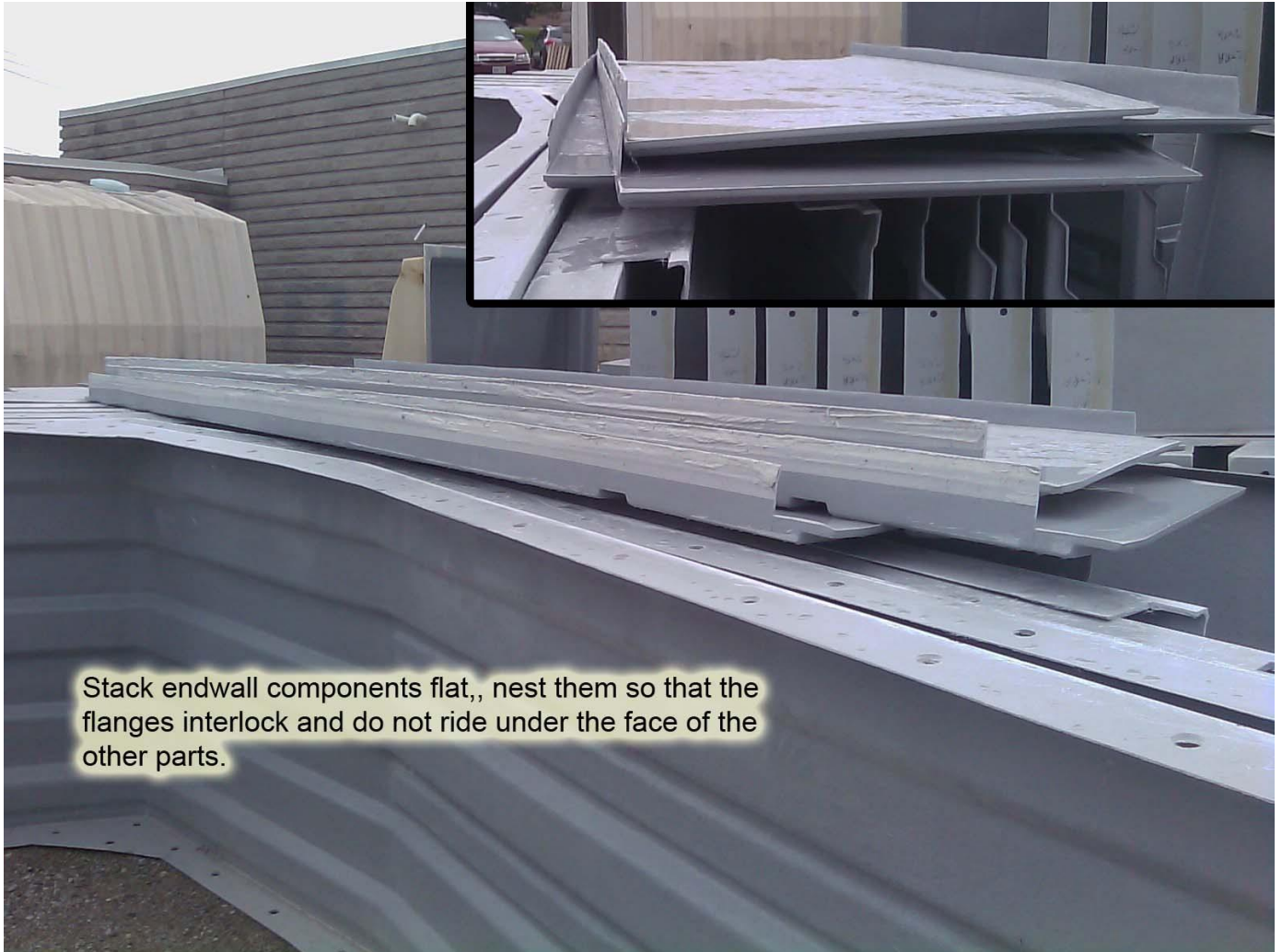
Handling and Storage



Handling and Storage:



Handling and Storage:



Before You Begin...

Contact RM Products Ltd at:

1-800-363-0867

to arrange an assembly review
with an RM Assembly Consultant.

Be sure to have your shop drawings
and manual with you at the
time of placing your call.

Parts List: Wide Vertical Building



Wall Panel



Front Panel Set



Rear Panel Set

Required Tool List

- 1 or more extension cords depending on distance to power supply
- 2 variable speed 3/8" drills (one cordless is a good option)
- 1 1/2" drill bit with 3/8" shank
- 2-3 5/16" drill bits for steel, not speed bore wood bits
- 1 adapter for drill to accept sockets or electric impact gun
- 1 3/4" deep socket
- 1 7/16" deep socket
- 1 1/2" deep socket
- 1 large 825 mil caulking gun
- 1 regular 300 mil caulking gun
- 2 7' high step ladders (taller ladders will be required if the unit is higher than 9')
- 1 tape measure
- 1 48" level (on larger buildings a transit level may be required)
- 2 36" pry bars
- 6-8 large vise grip "C" clamps
- 1 double high set of scaffold
- Dead Blow Hammer



Hardware List



Used for bolting **end panels** internal flange together. 1/4-20 x 1" hexcap and 1/4" nut



Used for bolting **side wall panels** internal flange together. 1/2-13 x 2" hexcap, 1/2" nut and washers.



Used for bolting **end wall panels** to the side walls. 1/4-20 x 2 1/2" carriage bolt and 1/4" nut.



Used for bolting **side wall panels** internal flange together.

Maintenance:

RM Products Ltd fiberglass modular structures are VIRTUALLY MAINTENANCE FREE!
However VIRTUALLY does not equal COMPLETELY.

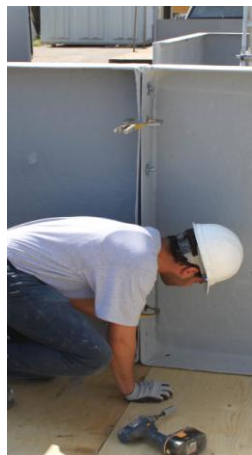
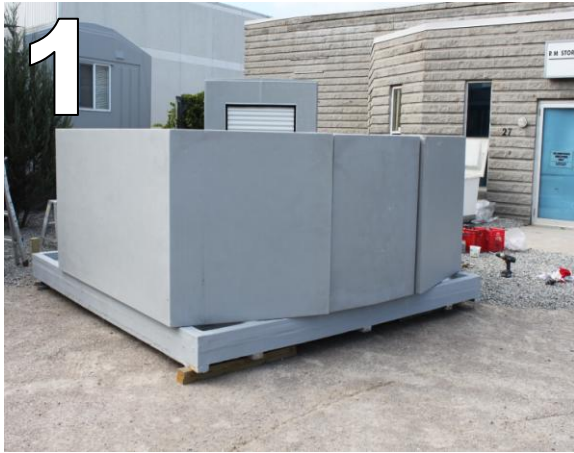
To ensure long the RM Products Ltd fiberglass modular structure last its lifetime follow these few steps:

Step 1: In case of heavy snow load or large amount of snow followed by a quick freeze, removing excess snow from the RM fiberglass building is recommended. The RM Products Ltd fiberglass building is engineered to meet snow loads of 100 lbs per square foot. That's a great deal of snow, however there are times in areas of northern US and Canada where snow falls will exceed that 100 lbs per square foot and it is important to take the time to prevent excess snow build-up.

Step 2: If damage to the building occurs that reveals a crack, dent or buckle of the any of the panels it is important to repair the panel. Cracks and dents in the fiberglass can affect the overall integrity of the building making it less able to withstand the wind and snow loads it was engineered for. Repairs are inexpensive and easy to do, for more information or to purchase a repair kit contact 1-800-363-0867.

Step 3: Door maintenance, please refer to the DBCI roll-up door guide for ongoing maintenance of the roll-up door.

Panel Assembly – Rear Section – Clamp/Bolt



Step 1: Layout rear section next to base (a section is two side wall panels and one roof panel together to make a U shape). Be sure to have the drilled holes of the roof section facing down. There will be no holes in the side facing up.

Step 2: Clamp the three sections together. Keep outside surface flush.

Step 3: Use a dead-blow hammer to square up the panels, making sure that the panels are flush.



Step 4: Bolt panels together. Tighten bolts.

Panel Assembly – Rear Section – Lift



Step 1: Attach 2x4 brace across panels, flush to outside of both panels. Mark 47 ¾" from the end of base.

Step 2: Predrill panel where lag bolts will go. Note: place stopper at the end of the base, this will be the stop point for where the panels will line up to.



The measurement points are 4" from end, 16" from that point, 16" from that point and 4" from the end

Step 3: Prepare to lift onto base/floor by having three people guide the section up. Place one person on each side wall.



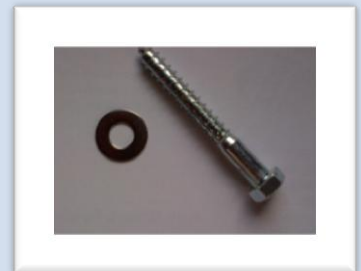
Step 4: Lift and slide to the stopper at the end of the panel. Make sure it is snug to end.

Panel Assembly – Rear Section – Secure



Step 5: When the panel is snug to the end of the base bolt to base/floor using lag bolts supplied into predrilled holes.

Step 6: Repeat for opposite side and then remove stoppers.



Panel Assembly – Rear Panel - Arrange



Step 1: Layout the rear panels. Note the markings on the flange as to what side the rear panel will sit on.

Back Left Panel

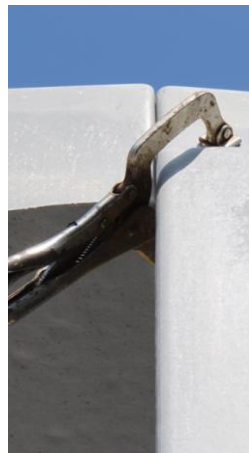
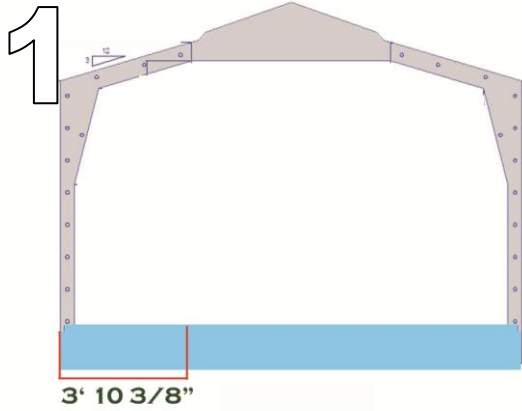
Centre Gable

Back Right

Centre Expander(s)

***TIP: by laying out the components it is easier to measure the parts to ensure proper placement on the back wall, this will save time when aligning the structure.

Panel Assembly – Rear Panel Lift and Secure



Step 1: Place a mark on the base of the building at 3'10 3/8" from the sides at the outside of the building. This mark will establish the position of the interior bolt flange on the back panel.

Step 2: Lift the rear panel and set against side panel, flange cut out should sit on the base

Step 3: Clamp in Place.

Step 4: Bolt the base to floor at each end at the bottom of each panel.



***TIP: Do not place any bolts into the sides of the rear panel until the building has been squared, this will take place in the next few steps


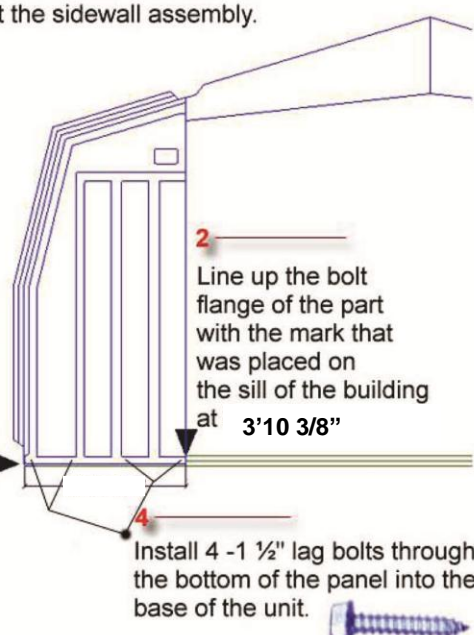
Panel Assembly: Rear Bolt Assembly: (Panels are marked refer to drawing)

1 Stand the first back panel against the sidewall assembly.

2 Line up the bolt flange of the part with the mark that was placed on the sill of the building at **3'10 3/8"**


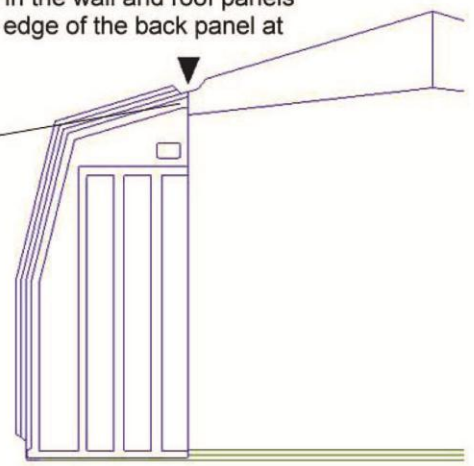
3 Then line up the opposite bottom corner of the back panel with the bottom of the side wall and adjust the back until the bottom of the panel is parallel with the base or sill of the building. This should leave an even reveal along the sill plate of the building.

4 Install 4 - 1 1/2" lag bolts through the bottom of the panel into the base of the unit.

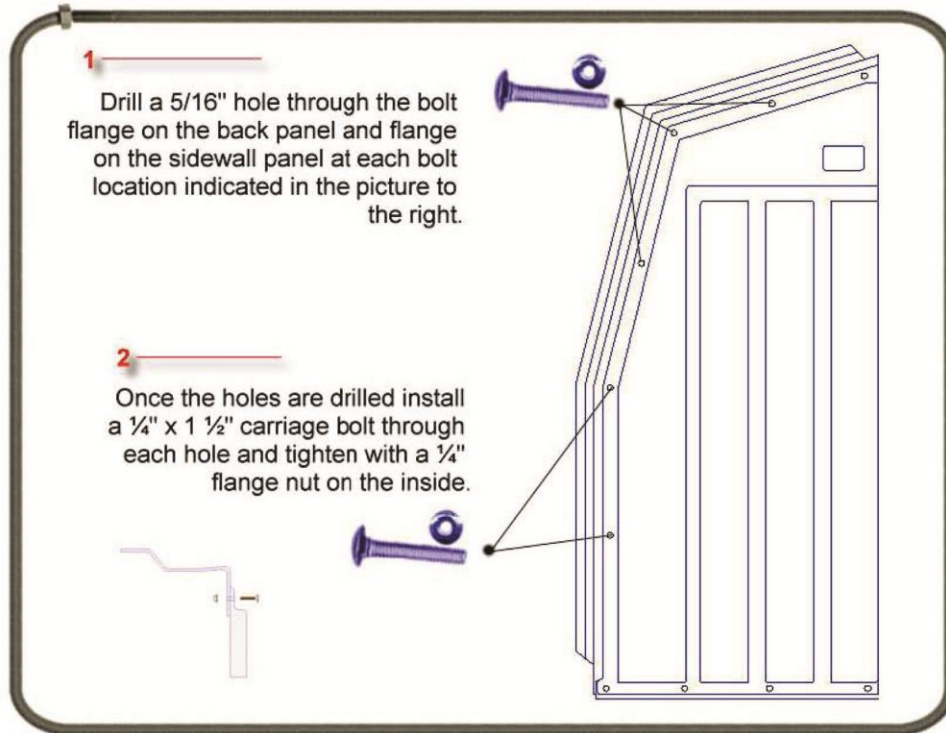


1 Next move the side wall and roof assembly back or forth to line up the joint in the wall and roof panels with the edge of the back panel at the top.

2 Once this is lined up clamp the part in place and drill a 5/16" hole through the outside bolt flange on the face of the back panel and the side wall. Then install a 1/4" x 1 1/2" stainless carriage bolt through the hole and fasten it with a 1/4" flange nut on the inside.



Panel Assembly: Rear Panel Bolt Assembly:



***Then repeat the past three steps for the opposite side end panel.



Panel Assembly – Align and Square



Step 1: Tie a ratchet strap to an upper flange bolt hole, of the side wall panel. (This process will help straighten out the panels before you bolt the end onto the side walls) Tie opposite end of strap to a lower flange bolt hole on the opposite side wall panel. Tighten the strap until the base lines up and roof line is aligned with end panels.

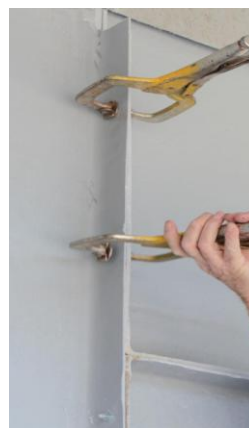
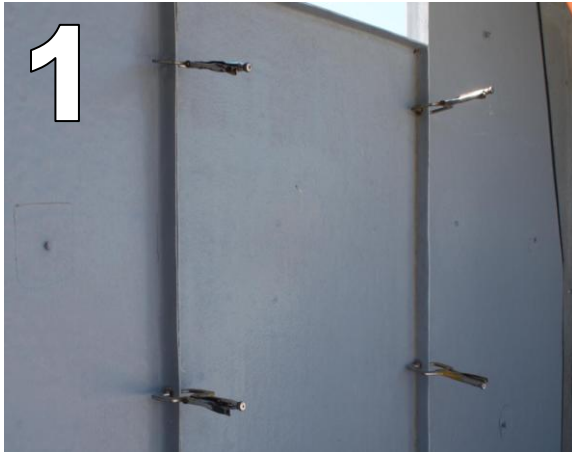
Picture #2: details what the end panel may look like if it is not aligned properly

Picture #3: details what it should look like after the proper alignment has taken place

Step 4: Measure the gable part to ensure that it will fit between the assembled rear end walls. If not make necessary adjustments.

Step 5: Measure the placement of bolts from top of the rear panel alongside where it anchors to the side wall panel. Drill and bolt the end panel into the side wall using carriage bolts supplied at approximately 16" O.C.

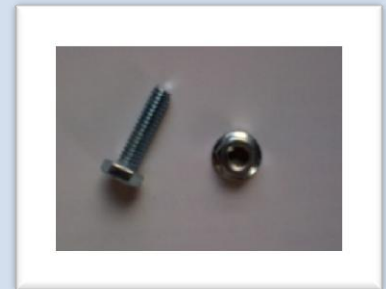
Panel Assembly – Expander and Gable



Step 1: Set other rear expander panel in place, align using a dead blow hammer and clamp.

Step 2: Drill the bolt flange approximately every 16" using 1/4" x 1" hexcap bolts supplied.

Step 3: Repeat Steps 1 and 2 for the gable piece



Panel Assembly – Remaining Sections - Lift



Step 1: First Section and end should be square and look like this prior to moving to next steps.

Step 2: Bolt Safety clip onto next roof section. Then clamp and bolt the next section together on the ground as done previously on page 6.

Step 3: Prepare to lift the section up onto base. Mark your base 47 ¾" from the standing panel. That is where the next panel should align to that mark.

Step 4: Lift Section onto base and slide firm against assembled section.



Panel Assembly – Remaining Sections – Clamp/Align



Step 1: When section is up secure mark the bolt location for mounting to the floor

Step 2: Using a pry-bar and clamps align the two sections. This may take some time, to get it flush.

Step 3: Secure the bottom to the base.

Step 4: repeating step 2 on the roof sections as well

Step 5: Prepare to bolt the flanges together by using a dead blow hammer on the outside to ensure panels are flush. Adjust the clamps to make sure they are tight.



Panel Assembly – Remaining Sections – Bolt Assembly



Step 1: Sections are clamped

Step 2: Outer seams are flush

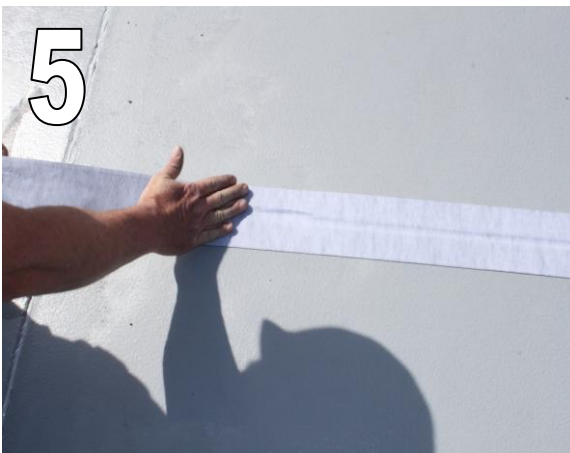
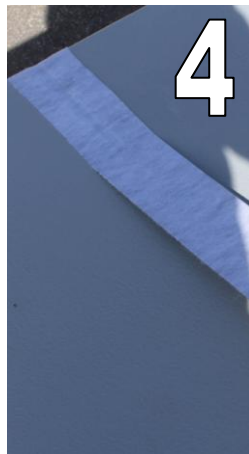
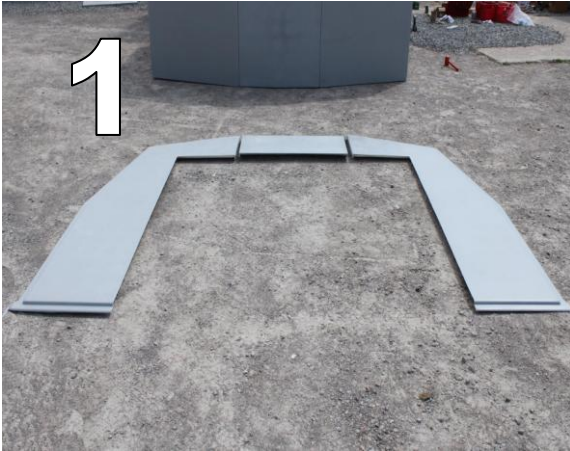
Step 3: Using a dead blow hammer ensure seams are flush on outside

Step 4: Drill the bolt flange approximately every 16" using ¼" x 1" hexcap bolts supplied.

Step 5: Tighten ONLY bolts at the roof joint, the corner the centre of the wall and the bottom of the wall as shown. This will allow some flexibility in the joints as the other sections are added. Once all sections are up and fastened as shown ensure all outer seams are flush and then complete the fastening and tightening of ALL bolts.



Panel Assembly – Front Panel Set and Roof Seal



Step 1: Set the front panels out.

Step 2: Refer to page 10 and 11 and repeat steps for rear panels

Step 3: Using caulking supplied run a bead of caulking along four roof seams.

Step 4: Adhere Web Seal roof tape over seam, with buildings seam centred under the tape.

Step 5: Smooth the tape out with your hand to ensure it is secure.

Step 6: Apply with a paint brush the silicone roof sealant over the tape to seal in the seams of the tape. Allow to dry.

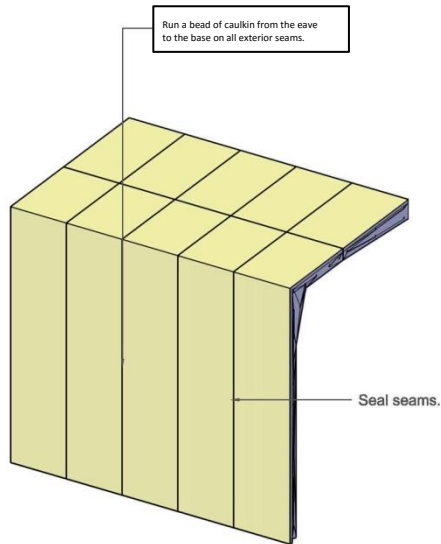
Panel Assembly - Caulking and sealant - Sides Only:



Caulking and Sealant:

Run a bead of caulking from the eave to the base on all seams on the exterior. Make sure the bead is not just sitting on the surface but has penetrated the seams.

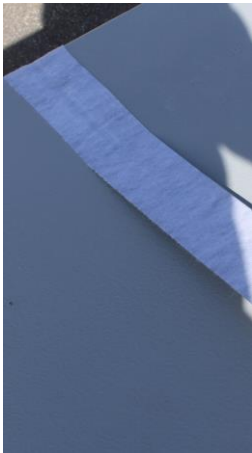
THIS SHOULD BE DONE BY SOMEONE WITH EXPERIENCE.



Run a bead of caulk from the eave to the base on all exterior seams.

Seal seams.

Panel Assembly – Caulking and Sealant - Roof Only:



*****Where there are larger gaps along the roof panel seams RM Products Ltd recommends using spray foam instead of caulking to seal the gaps.*****

This should be done by a experienced person as this is one of the most important tasks

Step 1: Using the caulking supplied run a bead of caulking along all of the roof seams.

Step 2: Adhere the 4" webseal roof tape over the seam with the building seams centered under the tape.

Step 3: Smooth the tape out with your hand to ensure it is secure.

Step 4: Apply with a paint brush the silicone roof sealant over the tape to seal in the seams of the tape. Allow to dry.

NOTE: 4" WEBSEAL ROOF TAPE AND SILICONE ROOF SEALANT ARE FOR THE ROOF SEAMS ONLY.

Lifting Hooks:

There are 6 per building, refer to drawing for locations, as seen in the photos below they are bolted through two side panels.



Lifting Hooks:



Safety Hooks:

1 Per building installed in the centre between 2 roof panels



