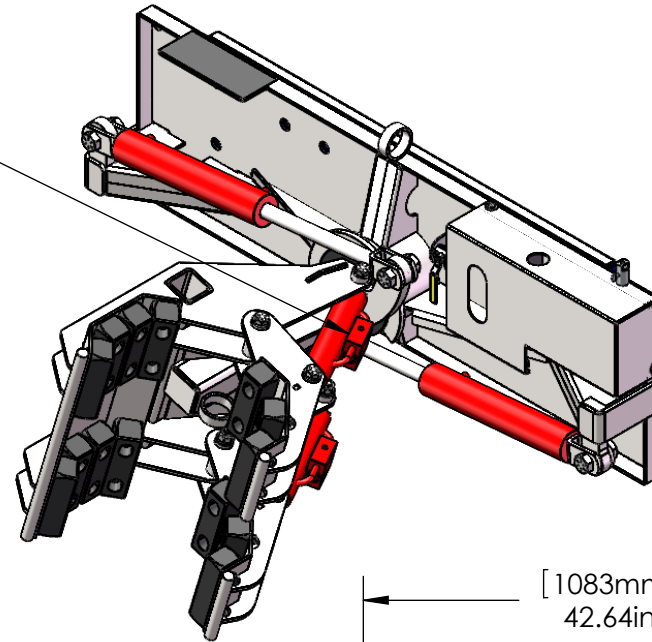


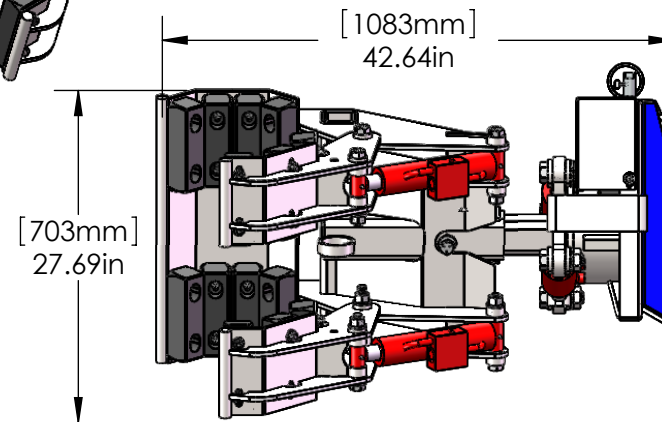
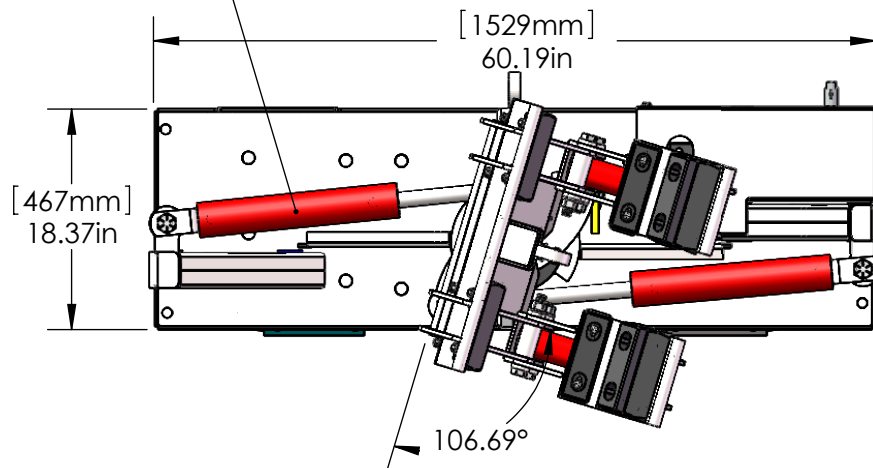
CYLINDER
 2" (51mm) BORE X 6" (152mm) STROKE
 PUSH: 9425 LB (41.9 kN)
 PULL: 5743 LB (25.5 kN)

WEIGHT = 730 lbs (331 kg)

(HOSES RATED FOR 15,000 PSI BURST PRESSURE)



CYLINDER
 2.5" (64mm) BORE X 12.5" (318mm) STROKE
 PUSH: 14726 LB (65.5 kN)
 PULL: 11045 LB (49.3 kN)



UNLESS OTHERWISE SPECIFIED:

DIMENSIONS ARE IN INCHES
 TOLERANCES:
 FRACTIONAL ±
 ANGULAR: MACH ± BEND ±
 TWO PLACE DECIMAL ±
 THREE PLACE DECIMAL ±

INTERPRET GEOMETRIC
 TOLERANCING PER:

MATERIAL
 N/A

FINISH

DO NOT SCALE DRAWING

NAME DATE

DRAWN TIM R. 4-29-2010

CHECKED

ENG APPR.

MFG APPR.

Q.A.

COMMENTS:

EZ-SPOT-UR

TITLE:

**ASSY, DOUBLE POLE
 CLAW**

SIZE A	DWG. NO. 2W-01-0004 OPEN ROTATED	REV B
------------------	--	-----------------

SCALE: 1:16 WT: 730 LBS SHEET 1 OF 1

REV.	DESCRIPTION	DATE	APPROVED
B	ADDED CHECK VALVE TO CYLINDER	5/6/2013	BEVAN
A	UPDATED CYLINDER INFORMATION	4/4/2013	BEVAN

REVISIONS

PROPRIETARY AND CONFIDENTIAL

THE INFORMATION CONTAINED IN THIS DRAWING IS THE SOLE PROPERTY OF EZ-SPOT-UR. ANY REPRODUCTION IN PART OR AS A WHOLE WITHOUT THE WRITTEN PERMISSION OF EZ-SPOT-UR IS PROHIBITED.

NEXT ASSY

USED ON

APPLICATION