



ATTACHMENTS

Make it EZ!

1-877-433-5733

www.ezspotur.com



ATTACHMENTS

Make it EZ!

BARREL HANDLER EZ-0002



*Shown on a Chain Rotating Base EZ-001C



Make it EZ!



**SAFETY
FEATURES**



Make it EZ!



Rotation Safety

The rotation cycle has a mechanical stop to prevent the hydraulic cylinders from exceeding their maximum extension, which would cause the Attachment to rotate too far and damage it.

*Shown on a Chain Rotating Base EZ-001C

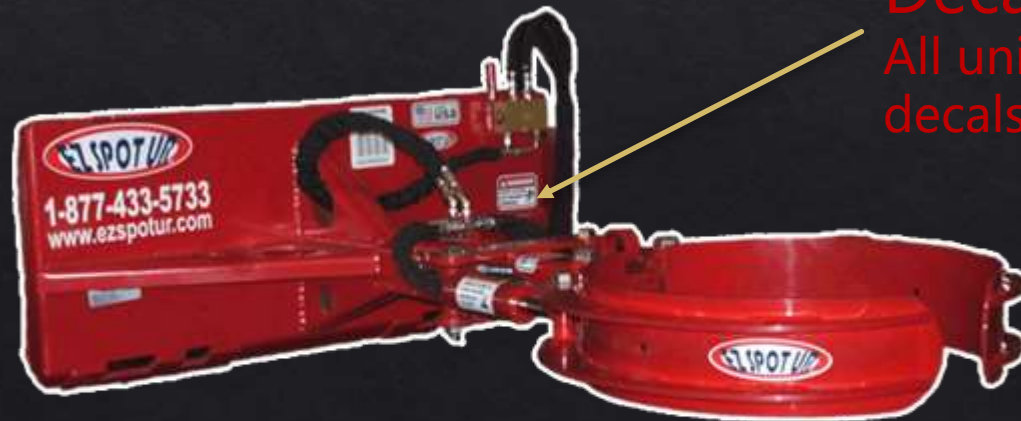


Make it EZ!



**BARREL HANDLER
w/ Double Cylinder Rotating Base (EZ-001D)**

**BARREL HANDLER
w/ Fixed Base (EZ-001F)**



Decal Safety
All units have pictorial and written decals

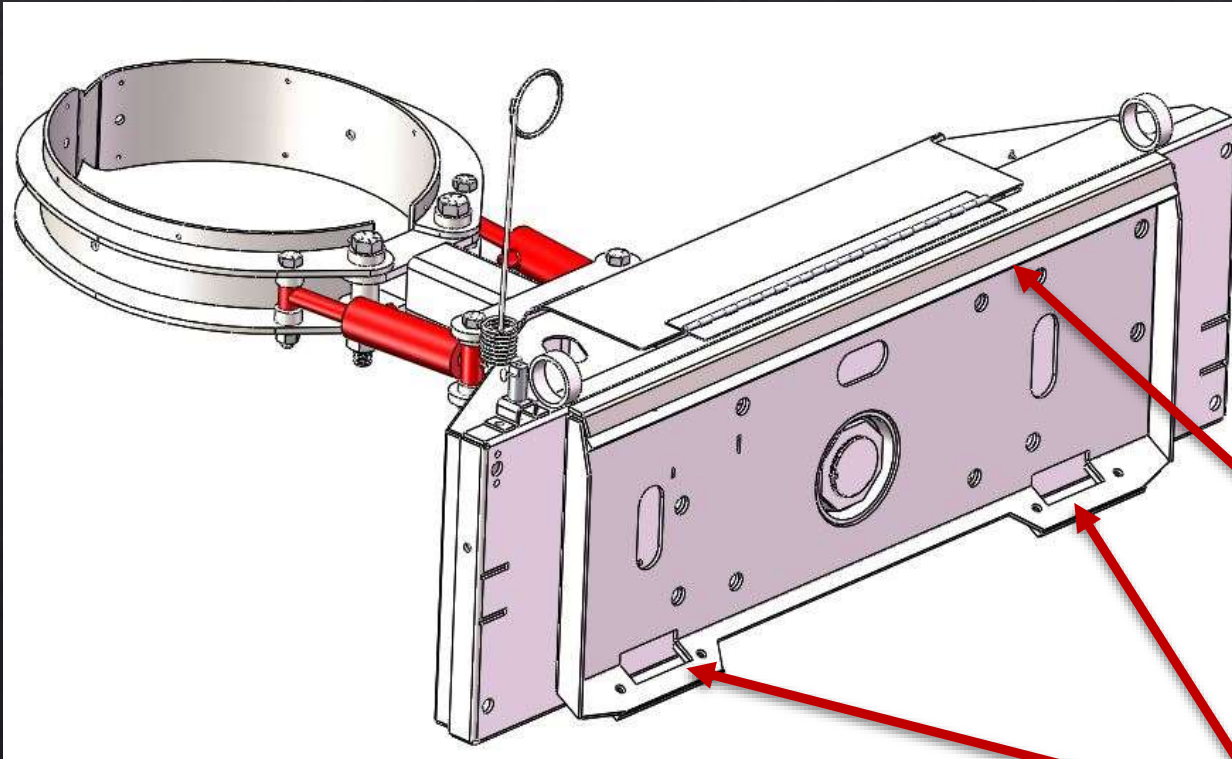
HOSE SAFETY

- All hydraulic hoses are Cordura protected
- Hoses have an operating pressure of 3,000psi
- Burst pressure of 12,000psi.
- The spring hose unit prevents the line from getting pinched
- Spring hose unit keeps lines out of the dirt.



SPRING HOSE MOUNT

CONNECTION SAFETY



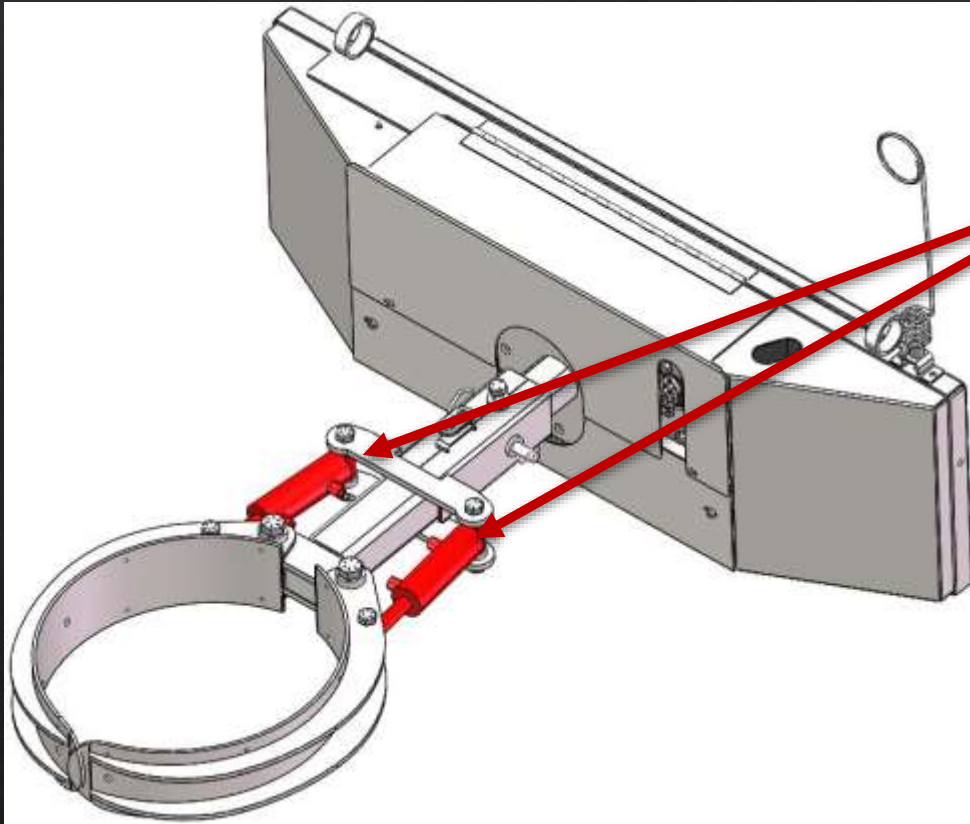
Quick attach plate has gusset on top for extra support.

Quick attach plate has doublers at the pin holes to insure they will not tear out.

Gusset

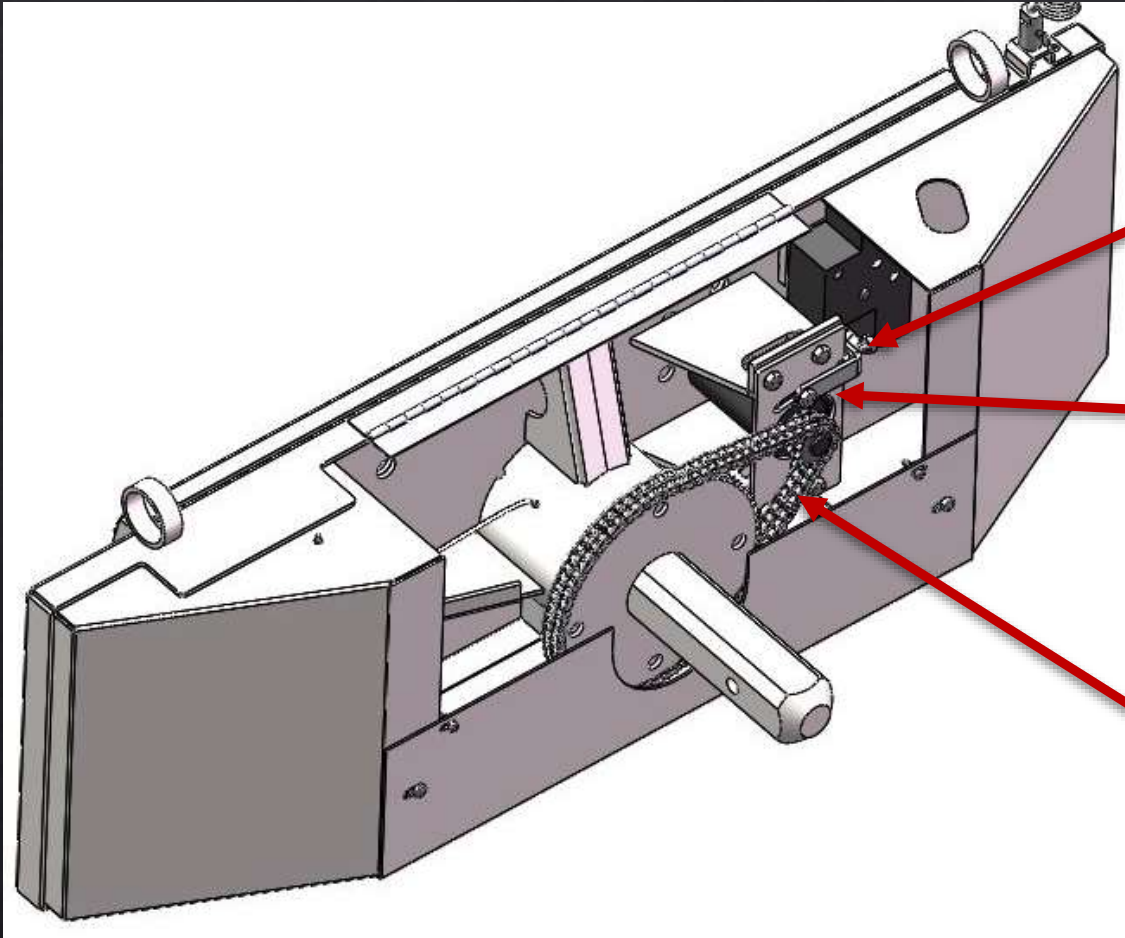
Doublers

Clamp Specifications



- 2"x3.5" CLAMP CYLINDERS
- Break out force of 9,425 lbs

CHAIN BASE SPECIFICATIONS



Chain Tensioner Bolt

Motor

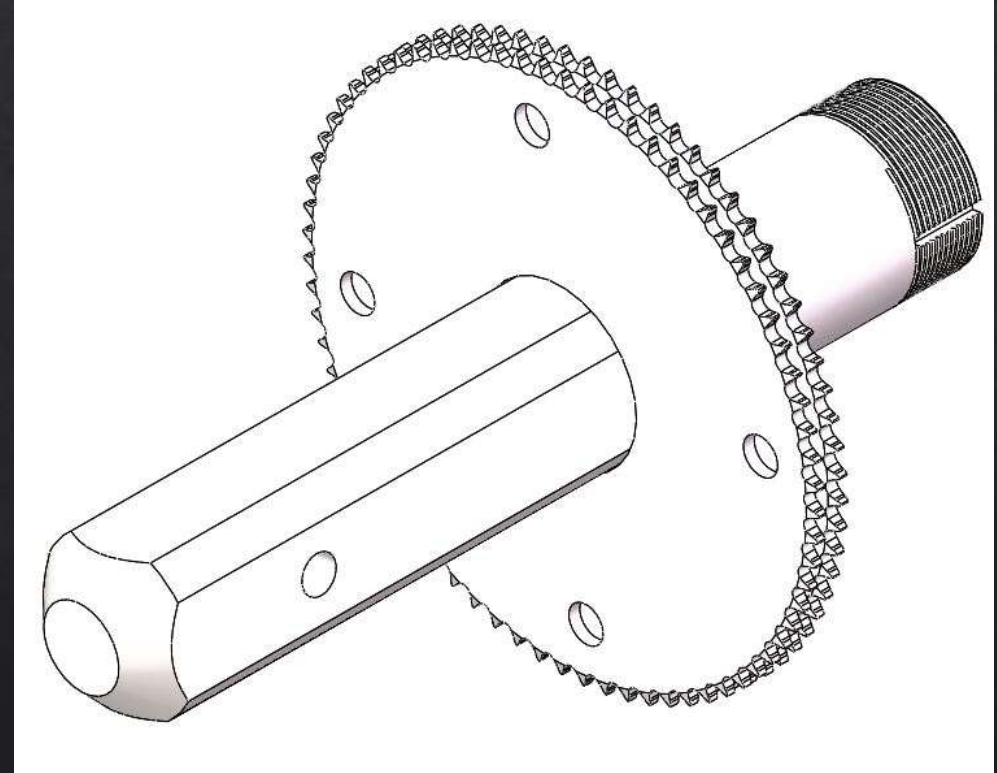
- Torque: 2059 lb-in

- Displacement: 9.7 in³/r

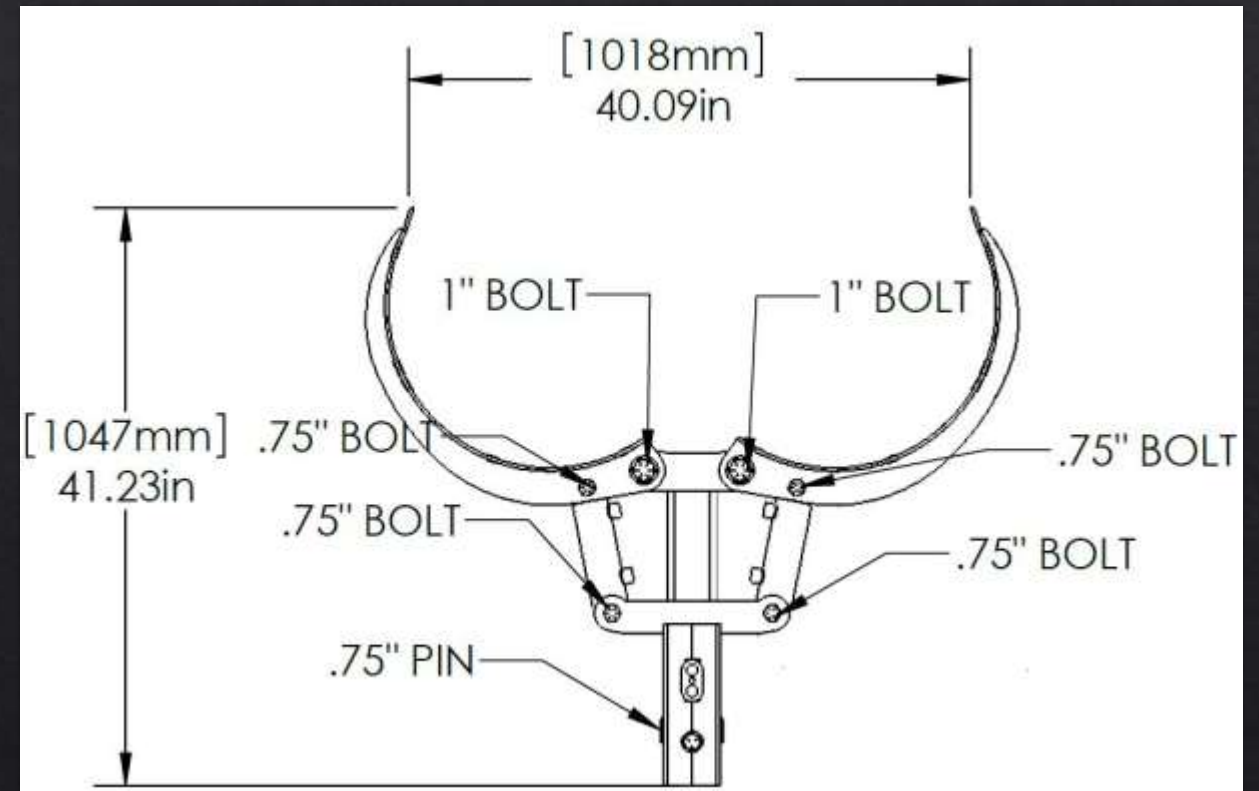
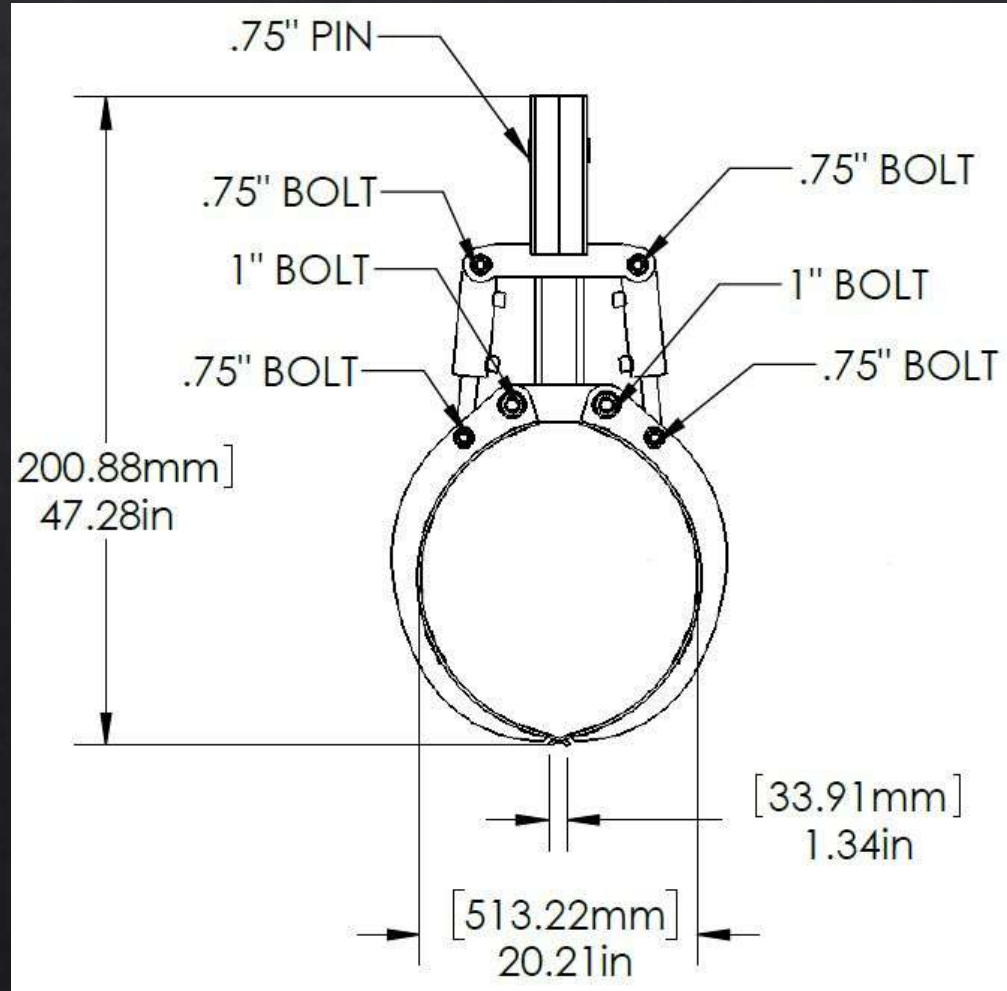
Double 40 Chain

SHAFT SAFETY

- The main rotating shaft is made of solid 3 ½ inch 4140 OQT
- Front of shaft is milled down to 3 inch square and slides into the receiver of the toolhead.
- The sprocket is 5 ¾" for the double 40 chain.



Dimensions of Barrel Handler





Make it EZ!

ATTACHMENTS

**LOAD AND UNLOAD
BARRELS**



**SAFELY DUMP BARRELS
WITH ONE MAN OPERATION**

EZ SPOT UR
ATTACHMENTS

Make it EZ!

**MAKES CLEAN
UP SAFE AND EZ!**



Product Specifications



- Universal Quick Tach' mounting system.
- Can be adapted to fit any machine
- Attachment weight 543 lbs with Rotating Chain Base
- Rated weight capacity: 1200 lbs
- Rotates 300° when attached to the Chain Rotating Base.
- Rotates 110° with the Double Cylinder Rotating Base
- Can be attached to EZ Spot UR Fixed Non-Rotating Base.

EZ SPOT UR
ATTACHMENTS

Make it EZ!

Product Specifications

- Rubber lining reduces slippage and the risk of shock.
- Guaranteed not to crush metal or plastic barrels.
- Comes with $\frac{3}{4}$ " flush faced couplers
- Includes spring hose mount
- Includes wiring harness.
- Core Welded
- Composed of Grade 50 material or higher

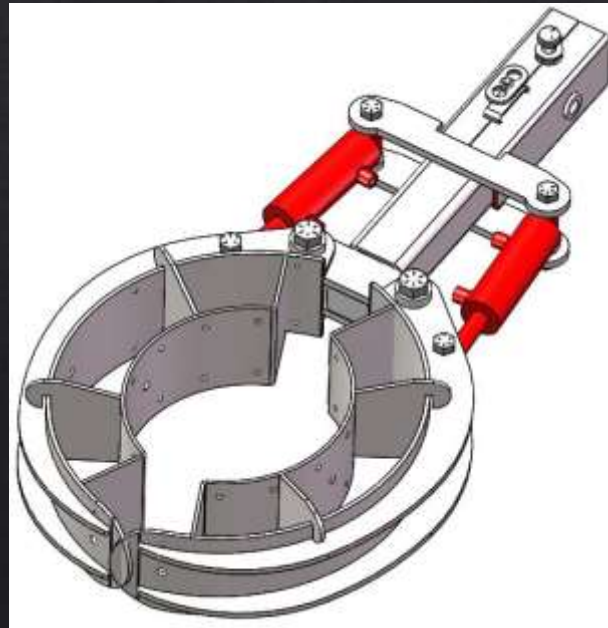


Make it EZ!

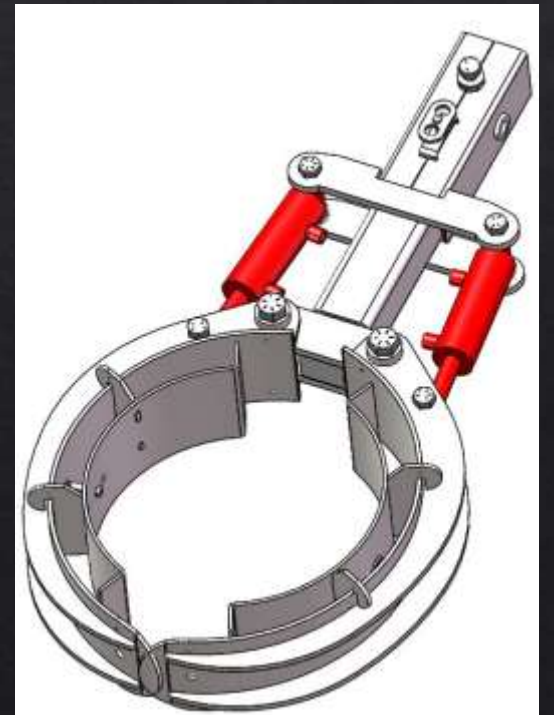
**BARREL HANDLER
SHOE AVAILABLE**



**15 GALLON
INSERTS
AVAILABLE**



**30 GALLON
INSERTS
AVAILABLE**



Barrel Handler Video





ATTACHMENTS

Make it EZ!

**ALL EZ SPOT UR PRODUCTS
ARE PROUDLY MADE IN THE USA
AND COME WITH A
ONE YEAR WARRANTY**

