



**ATTACHMENTS**

*Make it EZ!*

**1-877-433-5733**

**[www.ezspotur.com](http://www.ezspotur.com)**



*Make it EZ!*

**ROCK & BRUSH  
GRAPPLE  
EZ-0009**





*Make it EZ!*



**SAFETY  
FEATURES**



*Make it EZ!*

**ROCK & BRUSH GRAPPLE  
ON DOUBLE CYLINDER ROTATING BASE**

**ROTATION SAFETY**

The rotation cycle has a mechanical stop to prevent the hydraulic cylinders from exceeding their maximum extension.





**EZ SPOT UR**  
ATTACHMENTS

*Make it EZ!*

DECAL SAFETY  
All units have pictorial  
and written caution  
decals

**ROCK & BRUSH GRAPPLE  
ON A FIXED NON-ROTATING BASE**

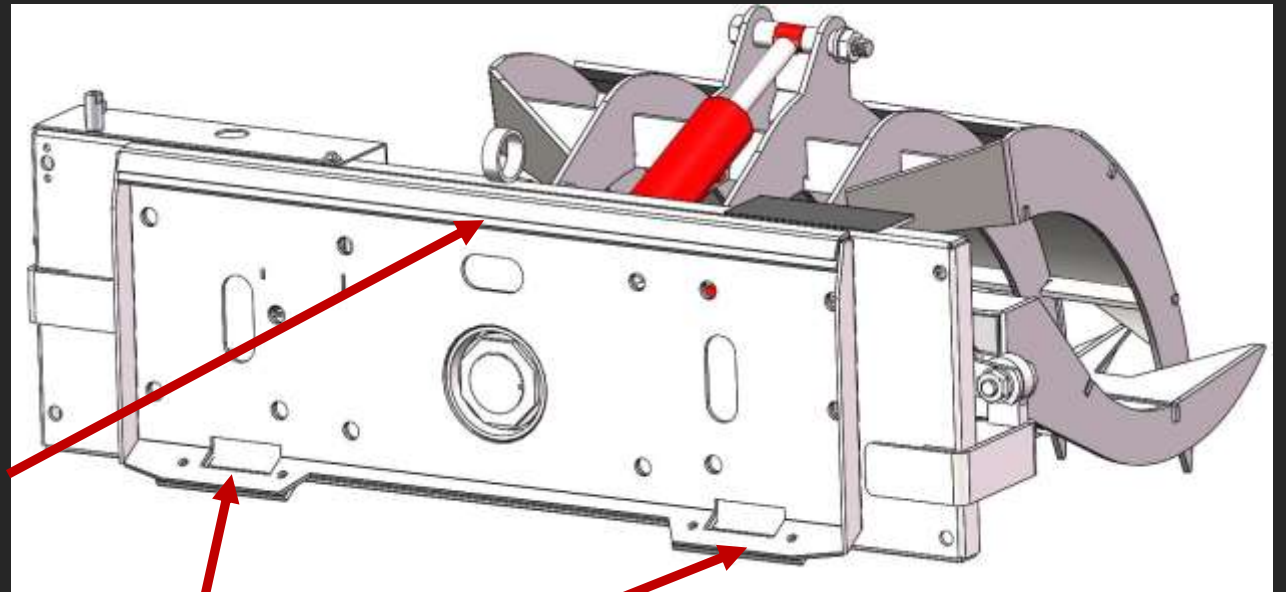
# CONNECTION SAFETY

Quick attach plate has doublers at the pin holes to insure they will not tear out.

Quick attach plate has gusset on top for extra support

QUICK ATTACH GUSSET

DOUBLERS



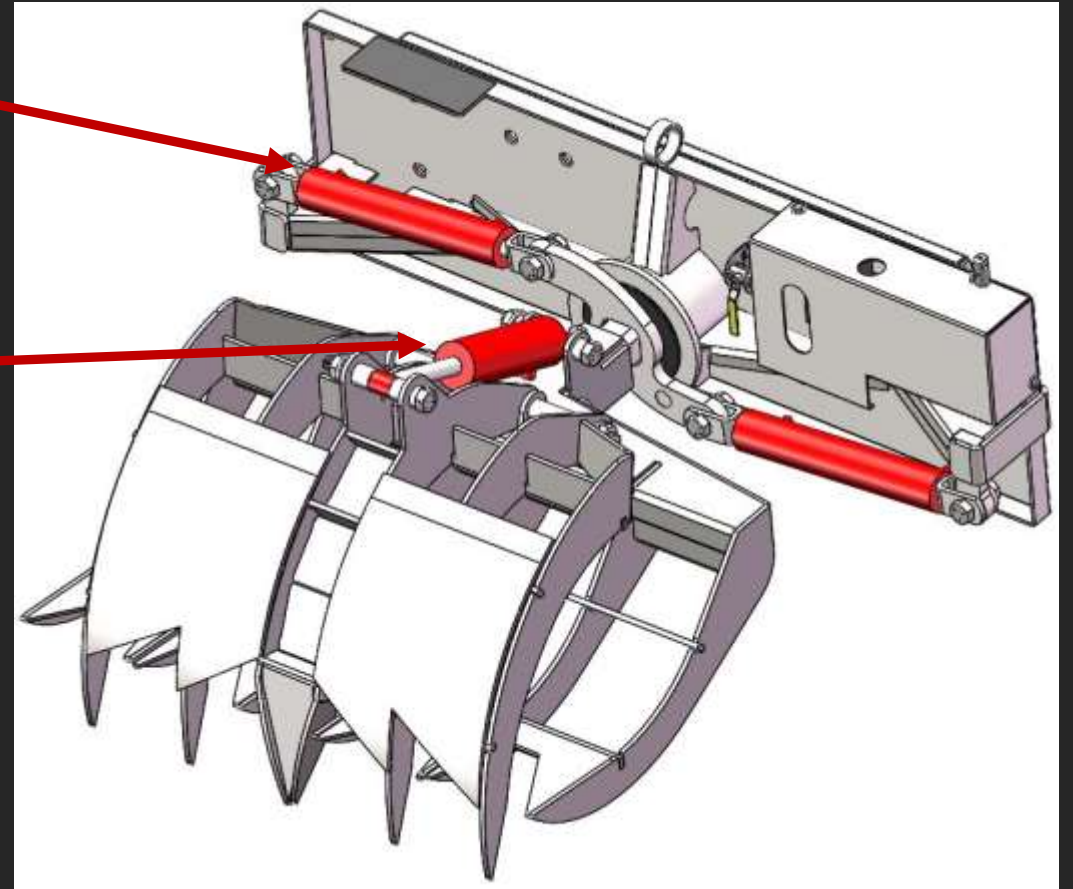
# Cylinder Specifications

## 1. ROTATION CYLINDERS

- 2.5"x12.5" CLAMP CYLINDERS
- Break out force of 14,726 lbs

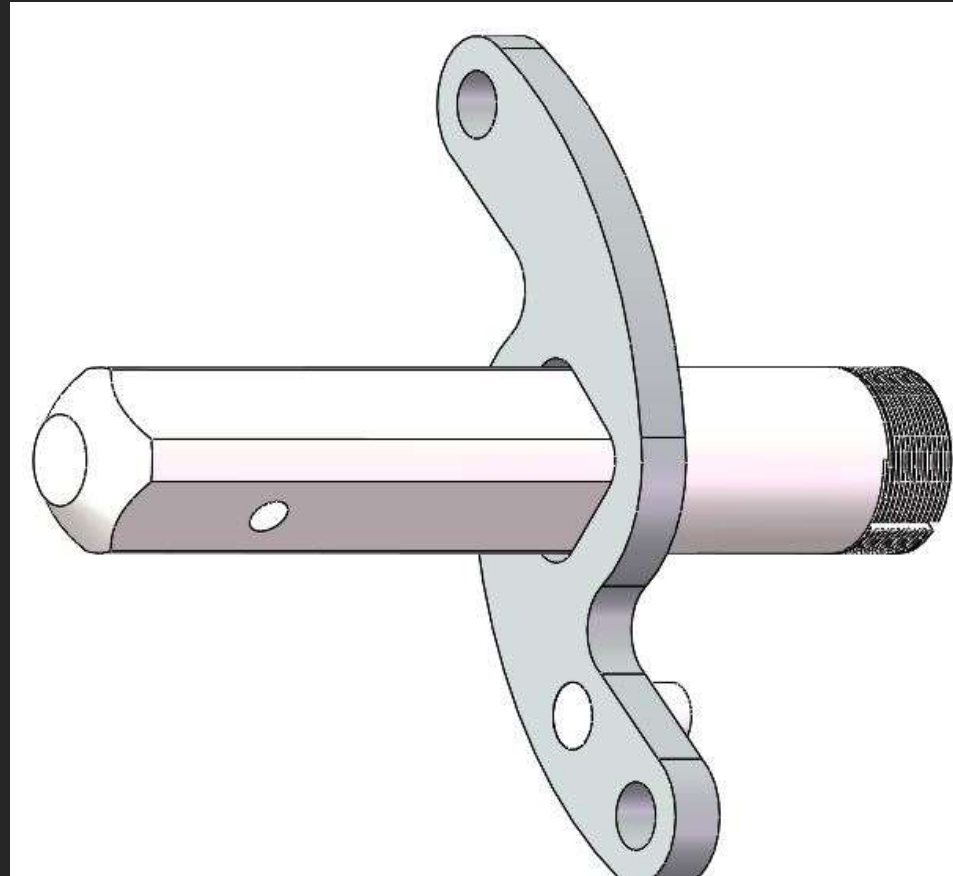
## 2. CLAMP CYLINDER

- 3"x6" CLAMP CYLINDER
- Break out force of 21,206 lbs
- The Jaws interlock to maintain hold on rocks and other material



# SHAFT SAFETY

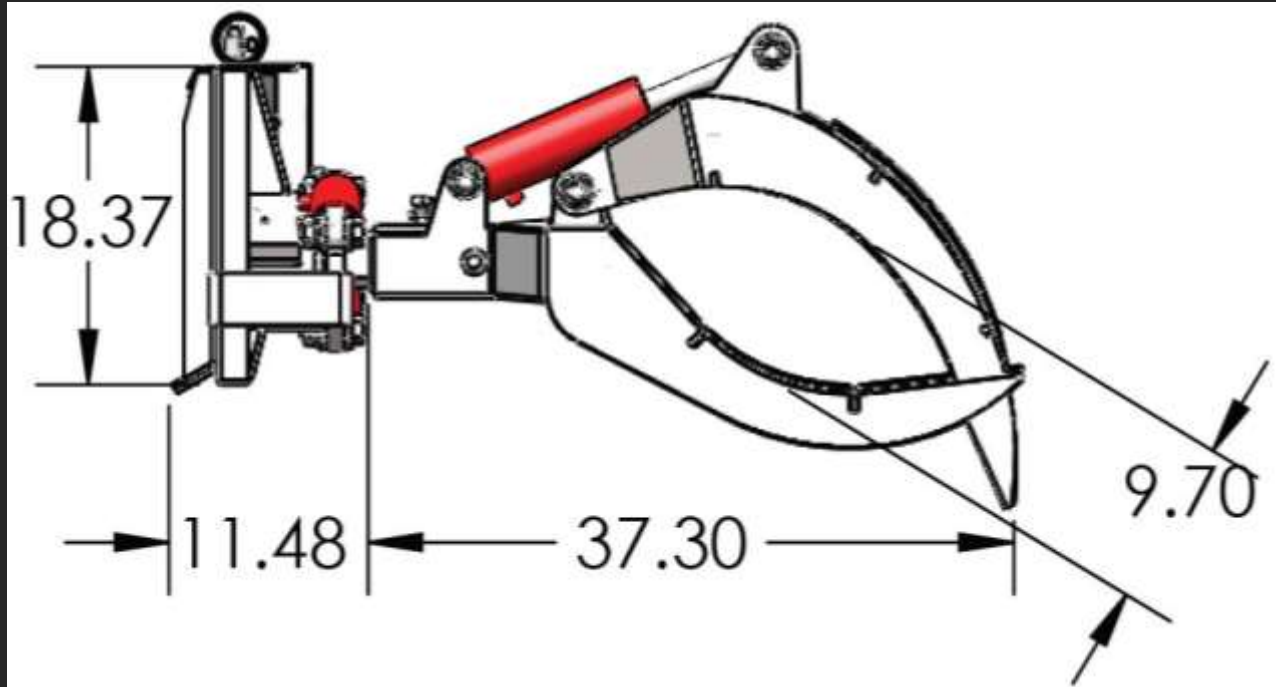
The main rotating shaft is made of solid 3 ½ inch 4140 OQT  
Front of shaft is milled down to 3 inch square and slides into the  
receiver of the toolhead.



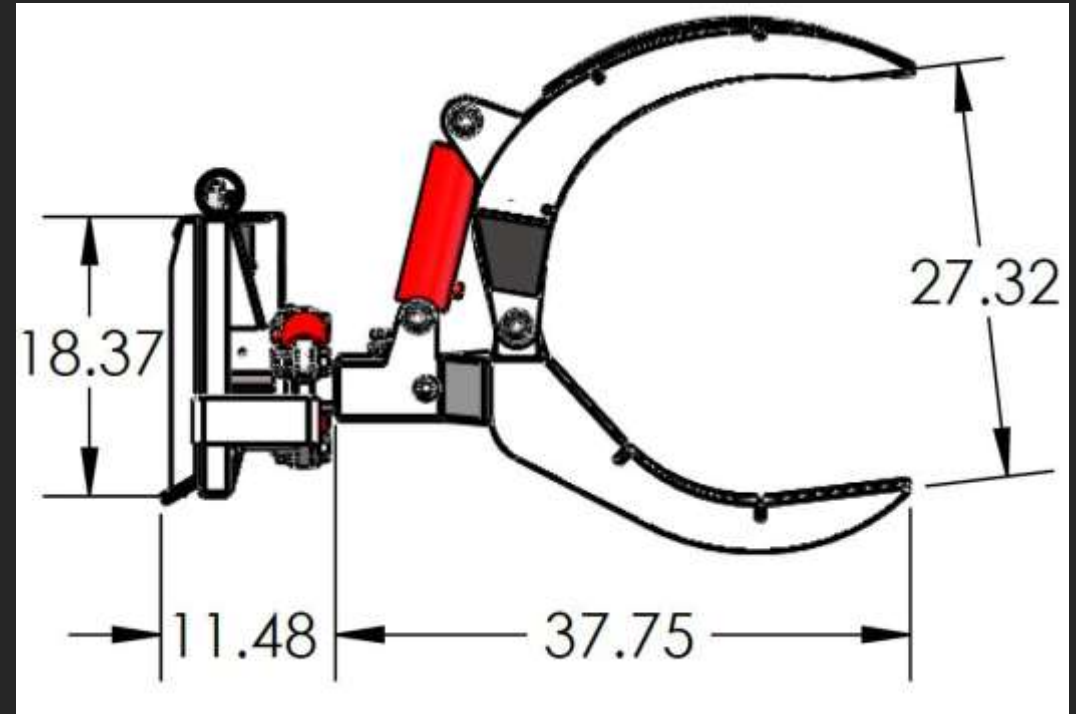


# Jaws Specifications

## Dimensions of Closed Jaws



## Dimensions of Open Jaws



SPRING HOSE MOUNT



# HOSE SAFETY

- All hydraulic hoses are Cordura protected.
- Hoses have an operating pressure of 3,000psi
- Hoses have a burst pressure of 12,000 psi.
- The spring hose unit ensures that the hydraulic line will not get pinched.
- The spring hose unit keeps the hoses out of the dirt

# SAFELY MOVE ROCK PILES, BRUSH, AND DEBRIS



**EZ SPOT UR**  
ATTACHMENTS *Make it EZ!*



**THE IDEAL TOOL FOR FARMS,  
RANCHES, AND LANDSCAPING**

**MAKES CLEAN UP SAFE AND EZ**



**EZ SPOT UR**  
**ATTACHMENTS**

*Make it EZ!*

# Product Specifications



- Universal Quick Tach mounting system.
- Attachment weight: 370 Lbs.
- Rotates 110° to the operators left with Double Cylinder Rotating Base.
- Can also be attached to a fixed Non-Rotating Base.

# Product Specifications

- Comes complete with  $\frac{3}{4}$ " flush faced couplers
- Spring hose mount included
- Wiring harness included
- Grade 8 Bolts
- Composed of Grade 50 material
- Core Welded



# ROCK & BRUSH GRAPPLE VIDEO





*Make it EZ!*

**ALL EZ SPOT UR ATTACHMENTS  
ARE PROUDLY MADE  
IN THE USA**

**ALL EZ SPOT UR ATTACHMENTS  
COME WITH A ONE YEAR  
WARRANTY**

