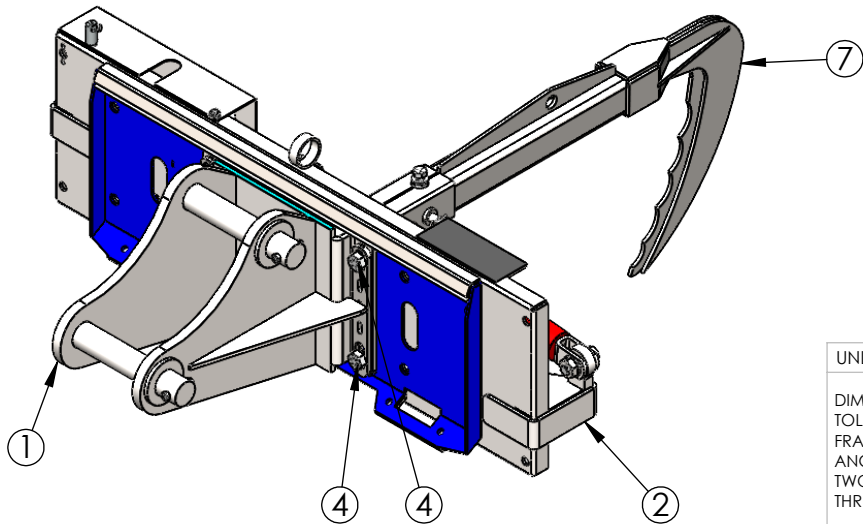
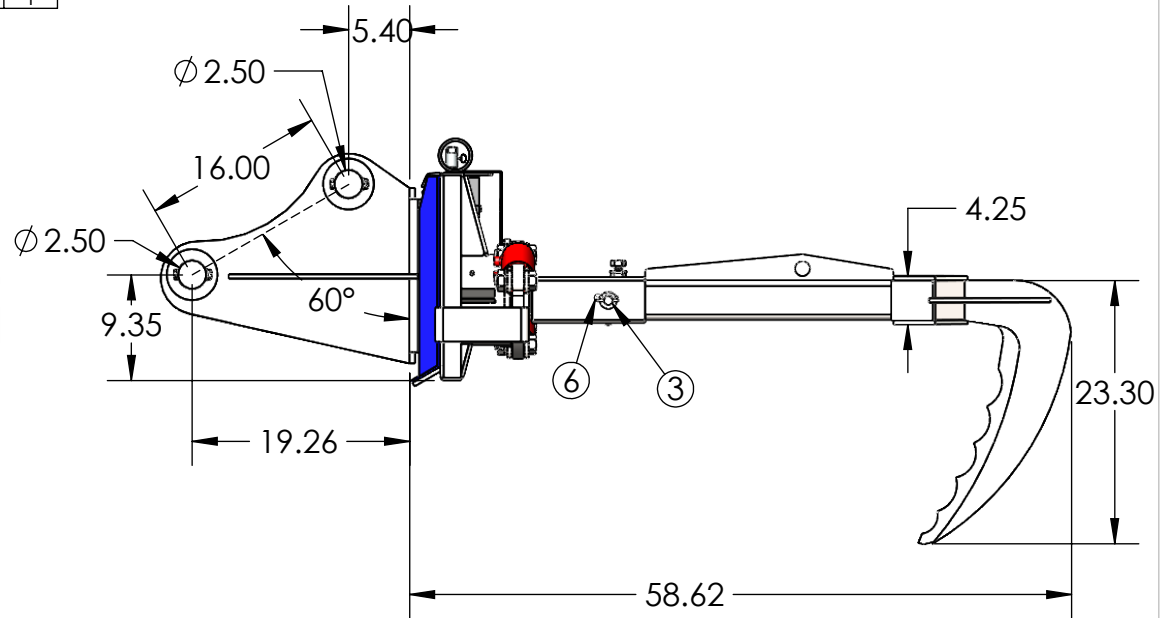
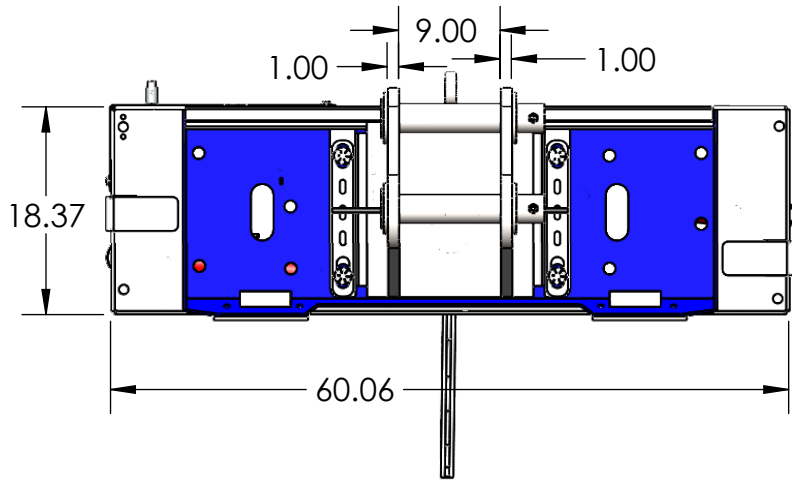


ITEM NO.	PART NUMBER	DESCRIPTION	QTY.
1	CAT-01-0050	CAT 312 MOUNT WITH PINS	1
2	EZ-01-0001	STANDARD BASE	1
3	FA11197-01206	3/4" DIA 6-1/4"L STEEL HITCH PIN	1
4	FA15465	1"-8 x 3" GRADE 8 YELLOW ZINC HEX CAP SCREW	4
5	FA0166995	1"-8 GRADE F ZINC FINISH STEEL FLANGE TOP LOCK NUT	4
6	HDW-00-0035	COTTER PIN FOR 3/4" PIN	1
7	RR-01-0001	ROOT PICK	1



UNLESS OTHERWISE SPECIFIED:		NAME	DATE
DIMENSIONS ARE IN INCHES		DRAWN	BEVAN 9/10/2021
TOLERANCES:		CHECKED	
FRACTIONAL ±		ENG APPR.	
ANGULAR: MACH ± BEND ±		MFG APPR.	
TWO PLACE DECIMAL ±		Q.A.	
THREE PLACE DECIMAL ±		COMMENTS:	
INTERPRET GEOMETRIC TOLERANCING PER:			
MATERIAL			
FINISH			
NEXT ASSY	USED ON		
APPLICATION			
DO NOT SCALE DRAWING			

# EZ-SPOT-UR

TITLE:  
CAT 312 MOUNT ON THE  
STANDARD BASE

SIZE <b>A</b>	DWG. NO. CAT-01-0204-E - CAT 312 MOUNT WITH STANDARD BASE & ROOT PICK	REV
------------------	--	-----

SCALE: 1:17 WEIGHT: 775.73 LBS SHEET 1 OF 1

**PROPRIETARY AND CONFIDENTIAL**

THE INFORMATION CONTAINED IN THIS DRAWING IS THE SOLE PROPERTY OF EZ-SPOT-UR. ANY REPRODUCTION IN PART OR AS A WHOLE WITHOUT THE WRITTEN PERMISSION OF EZ-SPOT-UR IS PROHIBITED.