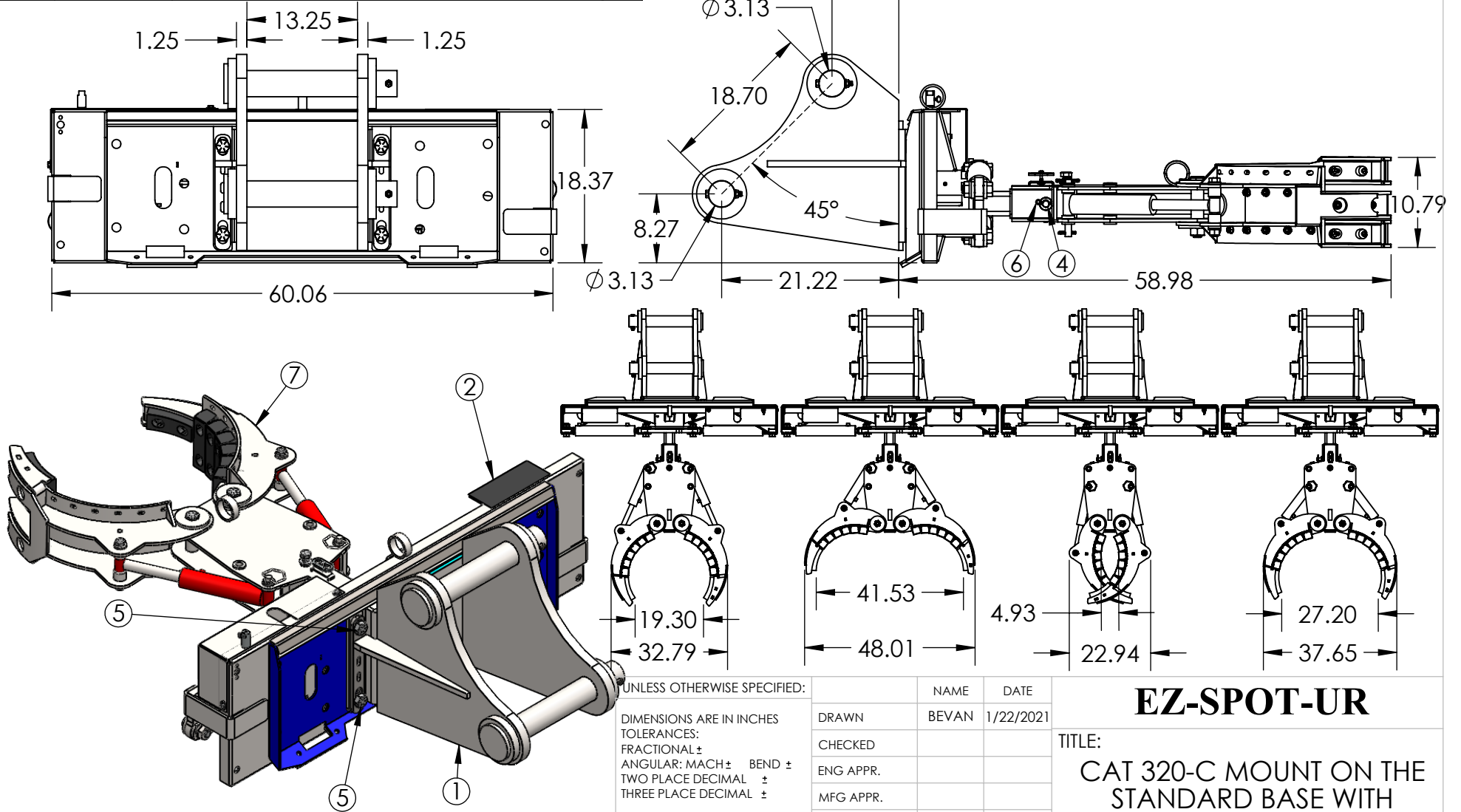


ITEM NO.	PART NUMBER	DESCRIPTION	QTY.
1	CAT-01-0102	CAT 320 MOUNT WITH PINS ON SMALL LINKAGE BRACKET	1
2	EZ-01-0001	STANDARD BASE	1
3	FA0166995	1"-8 GRADE F ZINC FINISH STEEL FLANGE TOP LOCK NUT	4
4	FA11197-01206	3/4" DIA 6-1/4"L STEEL HITCH PIN	1
5	FA15465	1"-8 x 3" GRADE 8 YELLOW ZINC HEX CAP SCREW	4
6	HDW-00-0035	COTTER PIN FOR 3/4" PIN	1
7	TH-01-3008	THREE FINGER TREE HAND CLOSED BACK PIVOT	1



UNLESS OTHERWISE SPECIFIED:

DIMENSIONS ARE IN INCHES  
 TOLERANCES:  
 FRACTIONAL ±  
 ANGULAR: MACH ± BEND ±  
 TWO PLACE DECIMAL ±  
 THREE PLACE DECIMAL ±

INTERPRET GEOMETRIC  
 TOLERANCING PER:

MATERIAL

FINISH

DO NOT SCALE DRAWING

	NAME	DATE
DRAWN	BEVAN	1/22/2021
CHECKED		
ENG APPR.		
MFG APPR.		
Q.A.		
COMMENTS:		

## EZ-SPOT-UR

TITLE:

CAT 320-C MOUNT ON THE  
 STANDARD BASE WITH  
 SMALL BUMP OUT PLATE

SIZE	DWG. NO.	REV
<b>A</b>	CAT-01-0326-C - CAT 320C MOUNT ON SMALL BUMP OUT PLATE STANDARD BASE WITH 3 FINGER TH	

SCALE: 1:17 WEIGHT: 1113.88 LBS SHEET 1 OF 1

### PROPRIETARY AND CONFIDENTIAL

THE INFORMATION CONTAINED IN THIS  
 DRAWING IS THE SOLE PROPERTY OF  
 EZ-SPOT-UR. ANY REPRODUCTION IN PART  
 OR AS A WHOLE WITHOUT THE WRITTEN  
 PERMISSION OF EZ-SPOT-UR IS PROHIBITED.

NEXT ASSY

USED ON

APPLICATION

5

4

3

2

1