



**ATTACHMENTS**

*Make it EZ!*

**1-877-433-5733**

**[www.ezspotur.com](http://www.ezspotur.com)**



**ATTACHMENTS**

*Make it EZ!*

**CLAMPING  
FORK TOOL  
EZ-1015**





*Make it EZ!*



**SAFETY  
FEATURES**

## ROTATION SAFETY

The rotation cycle has a mechanical stop to prevent the hydraulic cylinders from exceeding their maximum extension.

## CLAMPING FORK TOOL ON ACTUATOR BASE



## CLAMPING FORK TOOL ON DOUBLE CYLINDER BASE



DECAL SAFETY  
All units have pictorial and written caution decals



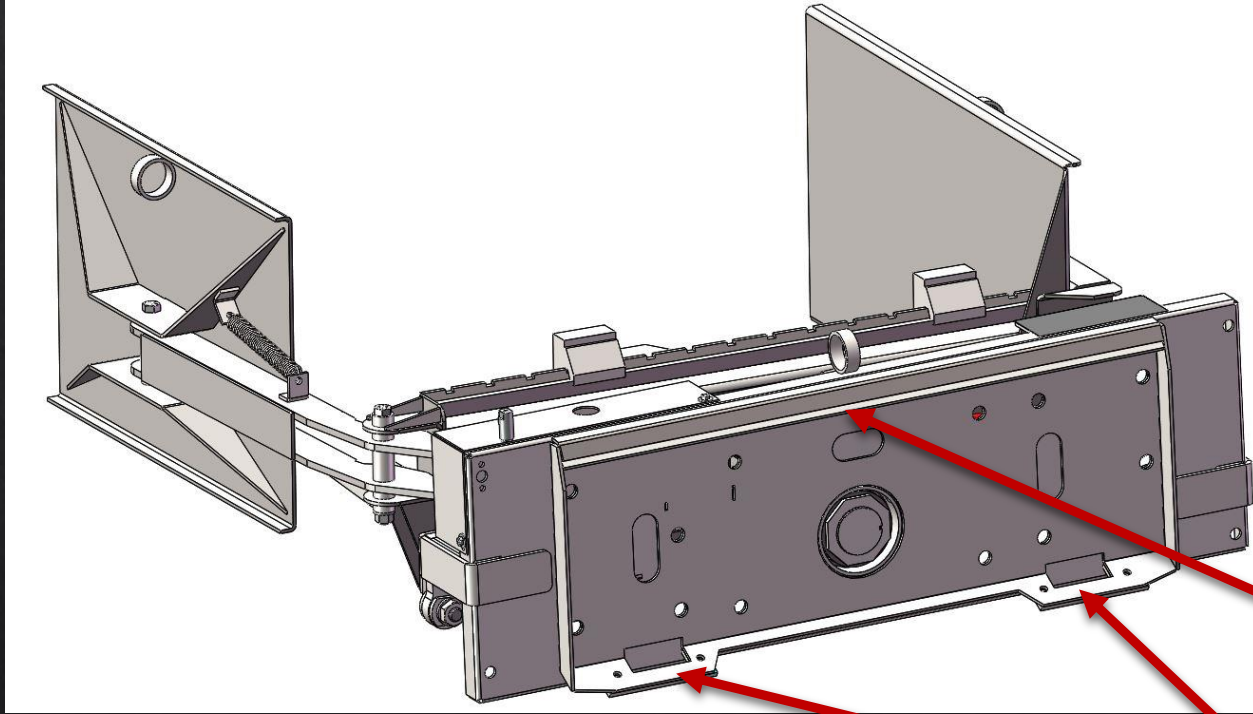
*Make it EZ!*



# HOSE SAFETY

- All hydraulic hoses are Cordura protected.
- Hoses have an operating pressure of 3,000 psi
- Hoses have a burst pressure of 12,000 psi.
- The spring hose unit ensures that the hydraulic line will not get pinched.
- The spring hose unit keeps the hoses out of the dirt

# CONNECTION SAFETY



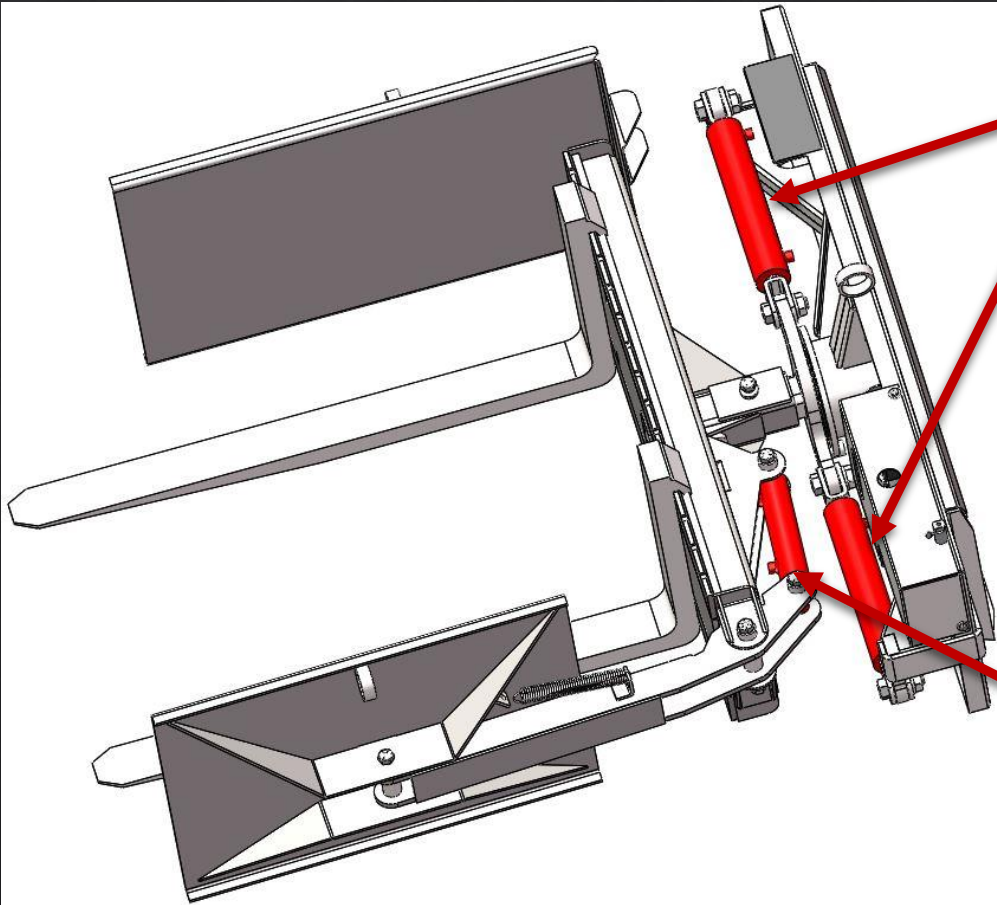
Quick attach plate has doublers at the pin holes to insure they will not tear out.

Quick attach plate has gusset on top for extra support

QUICK ATTACH GUSSET

DOUBLERS

# Cylinder Specifications



## 1. ROTATION CYLINDERS

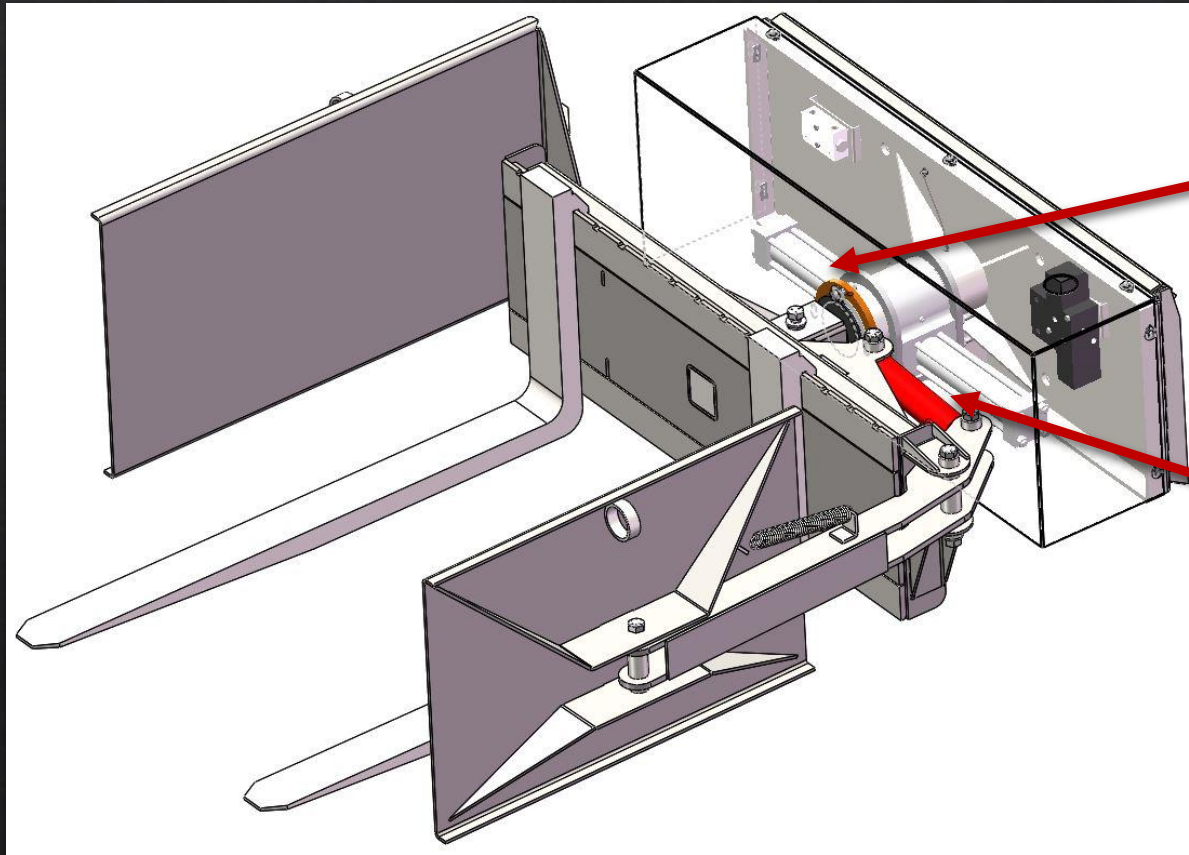
- 2.5"x12.5" CLAMP CYLINDERS
- Break out force of 14,726 lbs

## 2. CLAMP CYLINDER

- 2"x6" CLAMP CYLINDER
- Break out force of 9,425 lbs
- Grips containers securely

\*Clamping Fork Tool on Double Cylinder Rotating Base

# Cylinder Specifications



**1. ACTUATOR ROTATOR**

- Torque: 15,000 in lb
- Rotation: 360°

**2. CLAMP CYLINDER**

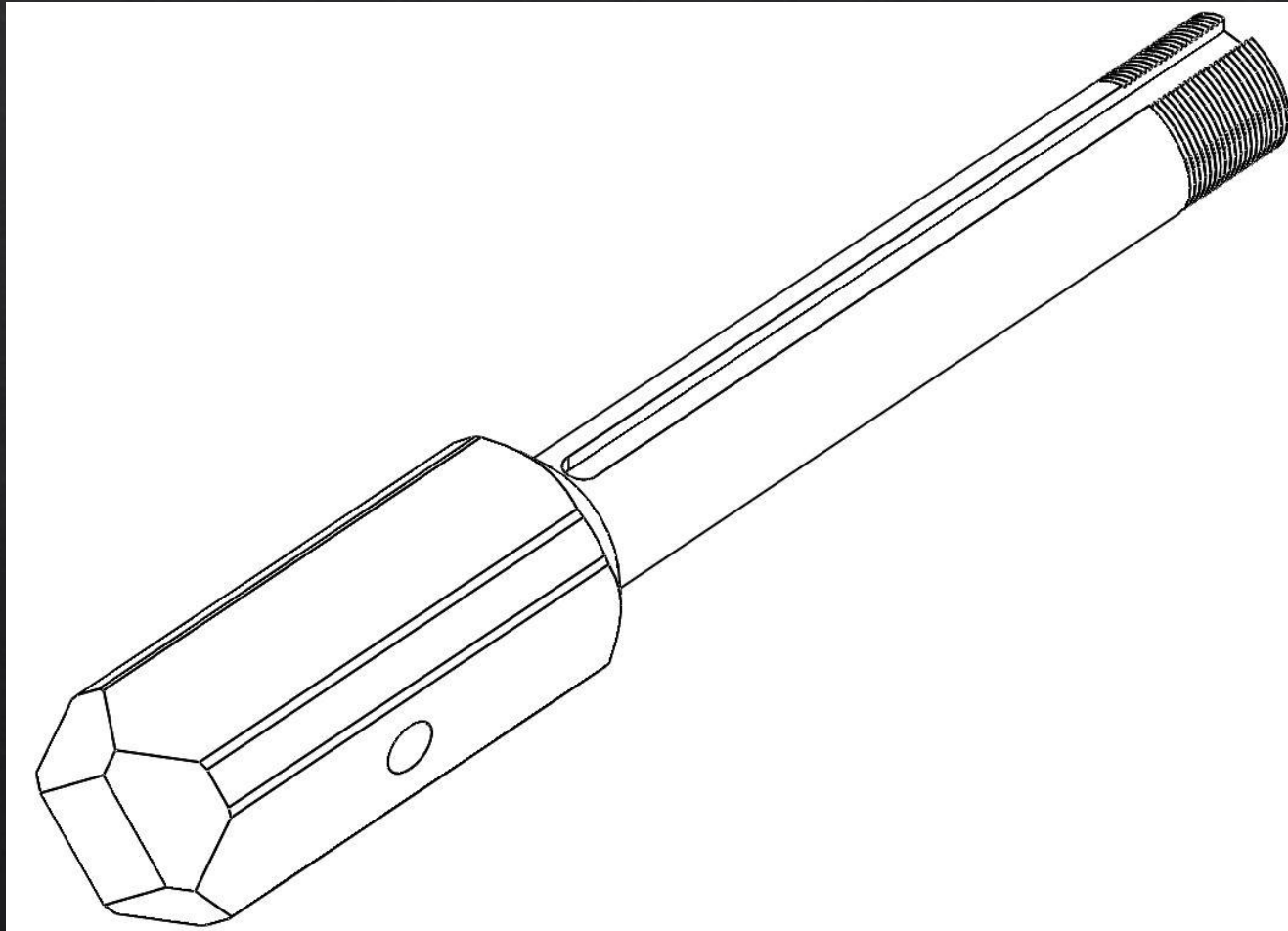
- 2"x6" CLAMP CYLINDER
- Break out force of 9,425 lbs
- Grips containers securely

\*Clamping Fork Tool on Actuator Base

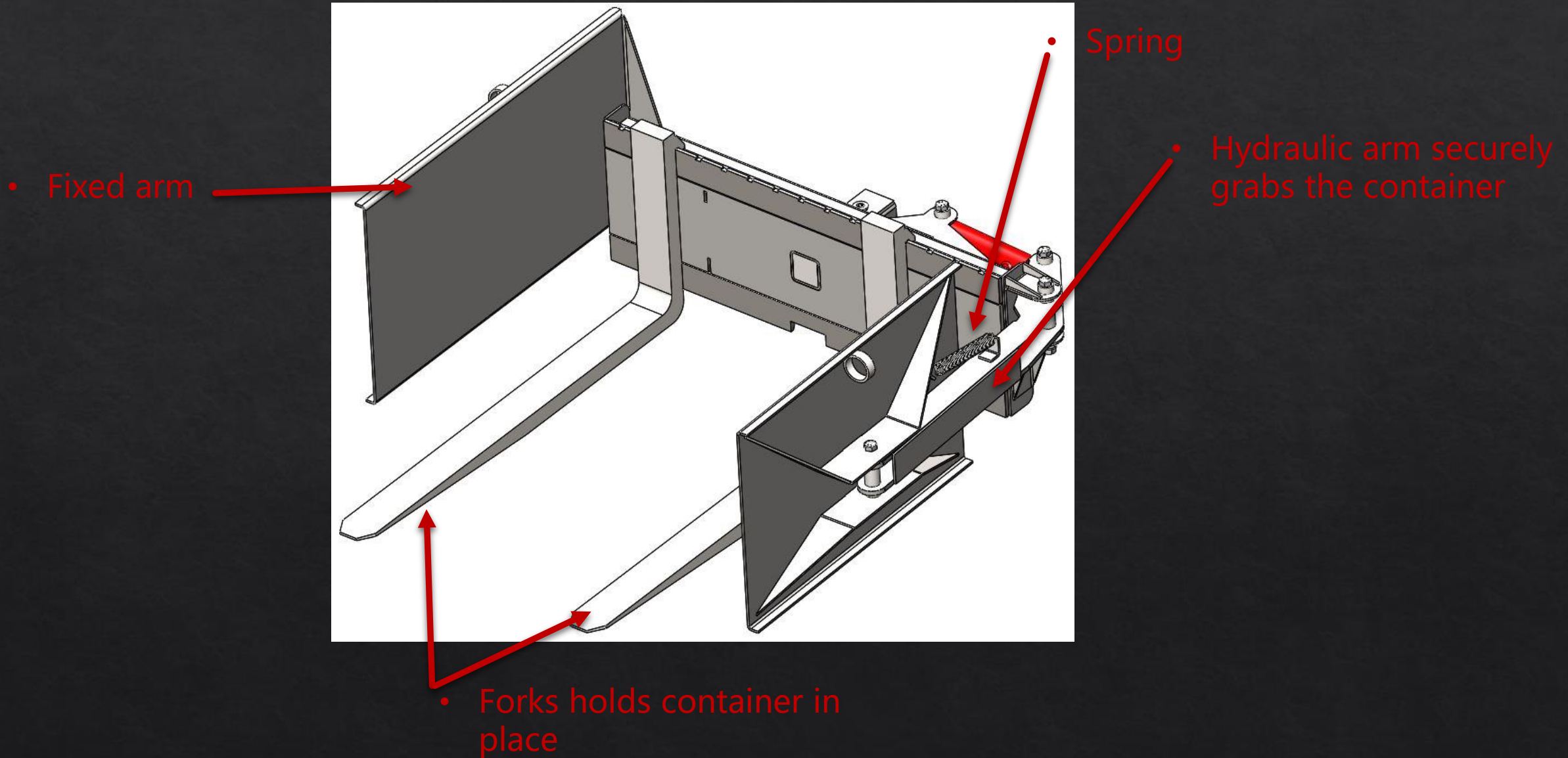


# SHAFT SAFETY

The main rotating shaft is made of solid 3 ½ inch 4140 OQT  
Front of shaft is milled down to 3 inch square and slides into the  
receiver of the toolhead.



# Arm Specifications



**EZ SPOT UR**  
**ATTACHMENTS**

*Make it EZ!*



**SAFELY  
DISPOSE  
OF WASTE  
WITH  
ONE MAN  
OPERATION**



*Make it EZ!*

ATTACHMENTS

**SECURELY GRABS**

**SQUARE**

**CONTAINERS**

**WITHOUT**

**DAMAGING THE**

**CONTAINER**



# Product Specifications



- **Universal Quick Tach' mounting system.**
- **Attachment weight: 1132 lbs with Actuator Rotator Base**
- **Attachment weight: 1166 lbs with Double Cylinder Rotating base**
- **Weight Capacity with forks: 3130 lbs**
- **Weight Capacity without forks: 1500 lbs**
- **Rotation of Actuator base: 360°**
- **Rotation of Double Cylinder base: 117°**
- **Opening Dimensions: 52 inches**
- **Closing Dimensions: 26.25 inches**

# Product Specifications



- Comes complete with  $\frac{3}{4}$ " flushed faced couplers
- Grade 8 Bolts
- Composed of Grade 50 material
- Spring hose mount included
- Wiring harness included

**EZ SPOT UR**  
ATTACHMENTS

*Make it EZ!*

# CLAMPING FORK TOOL VIDEO





*Make it EZ!*

**FORKS**  
**TOOL HEAD**  
**EZ-0015**





**EZ SPOT UR**  
ATTACHMENTS

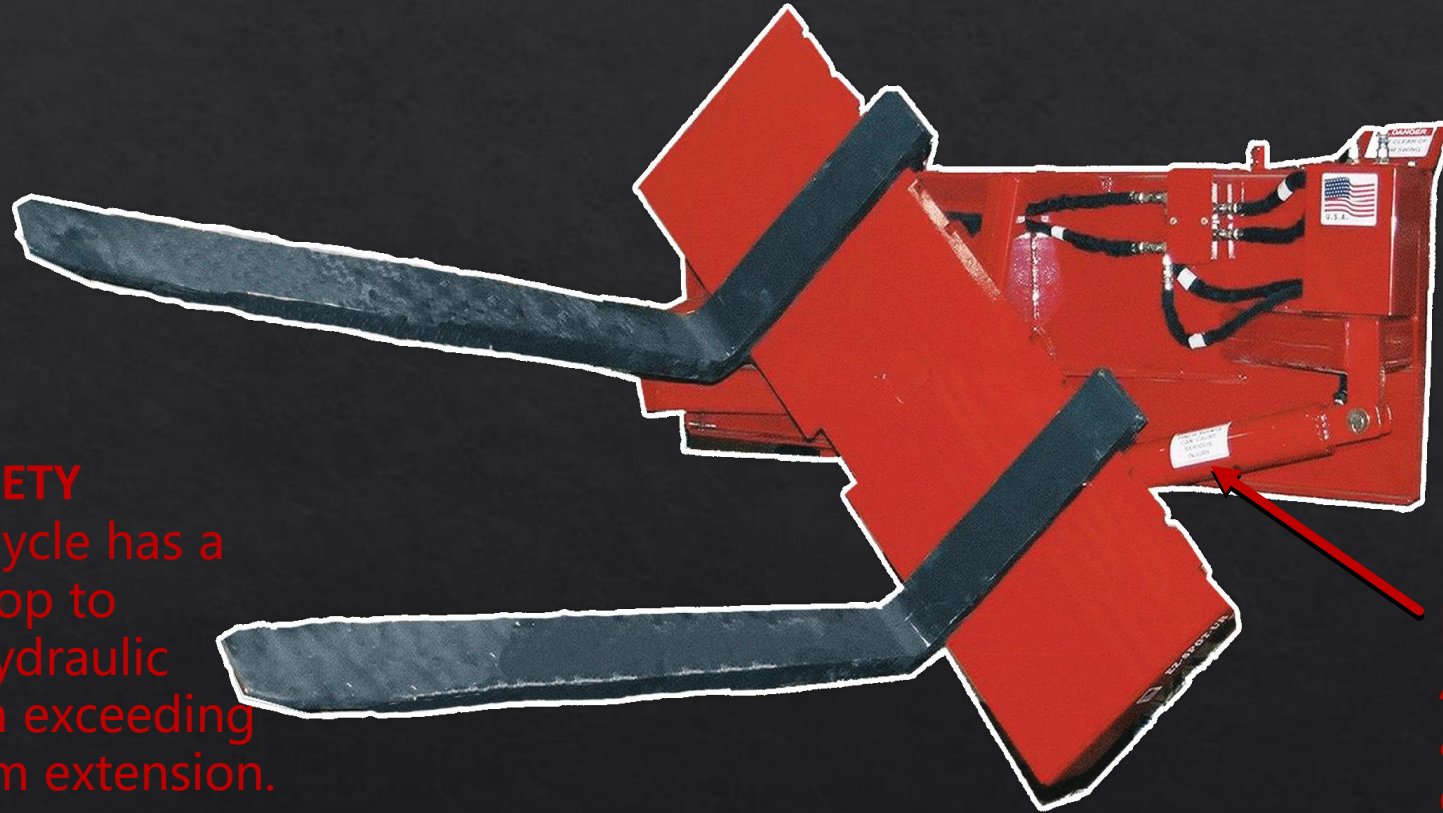
*Make it EZ!*



**SAFETY  
FEATURES**

**EZ SPOT UR**  
**ATTACHMENTS**

*Make it EZ!*



**ROTATION SAFETY**

The rotation cycle has a mechanical stop to prevent the hydraulic cylinders from exceeding their maximum extension.

**DECAL SAFETY**

All units have pictorial and written caution decals



*Make it EZ!*

# HOSE SAFETY

## SPRING HOSE MOUNT



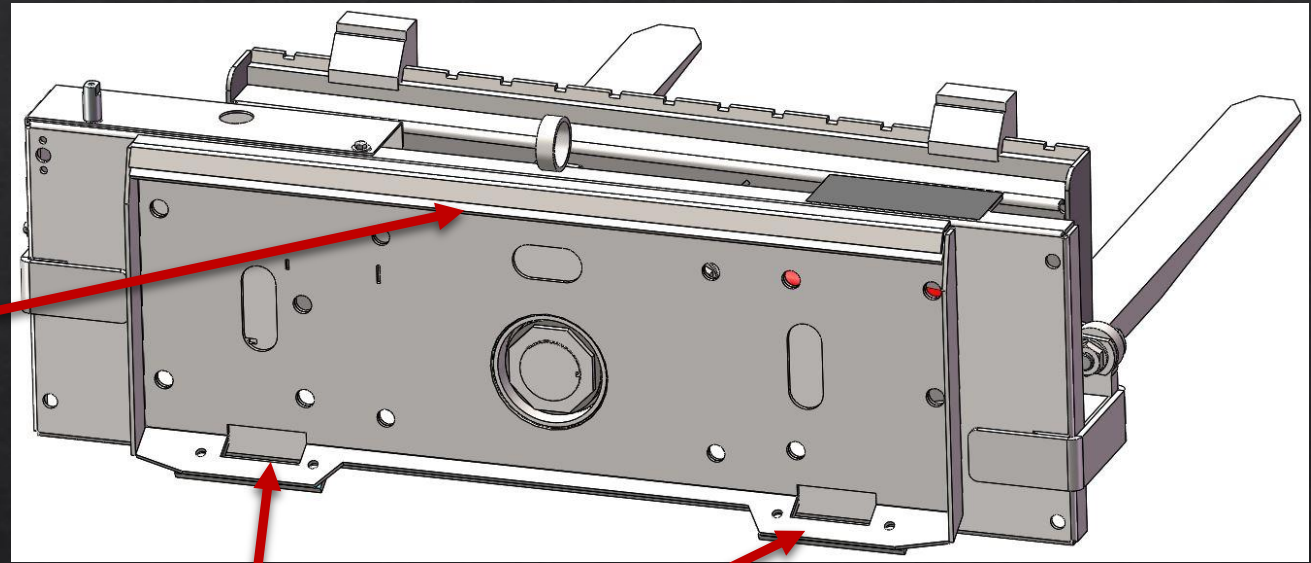
- All hydraulic hoses are Cordura protected.
- Hoses have an operating pressure of 3,000 psi
- Hoses have a burst pressure of 12,000 psi.
- The spring hose unit insures that the hydraulic line will not get pinched.
- The spring hose unit keeps the hoses out of the dirt

# CONNECTION SAFETY

Quick attach plate has doublers at the pin holes to insure they will not tear out.

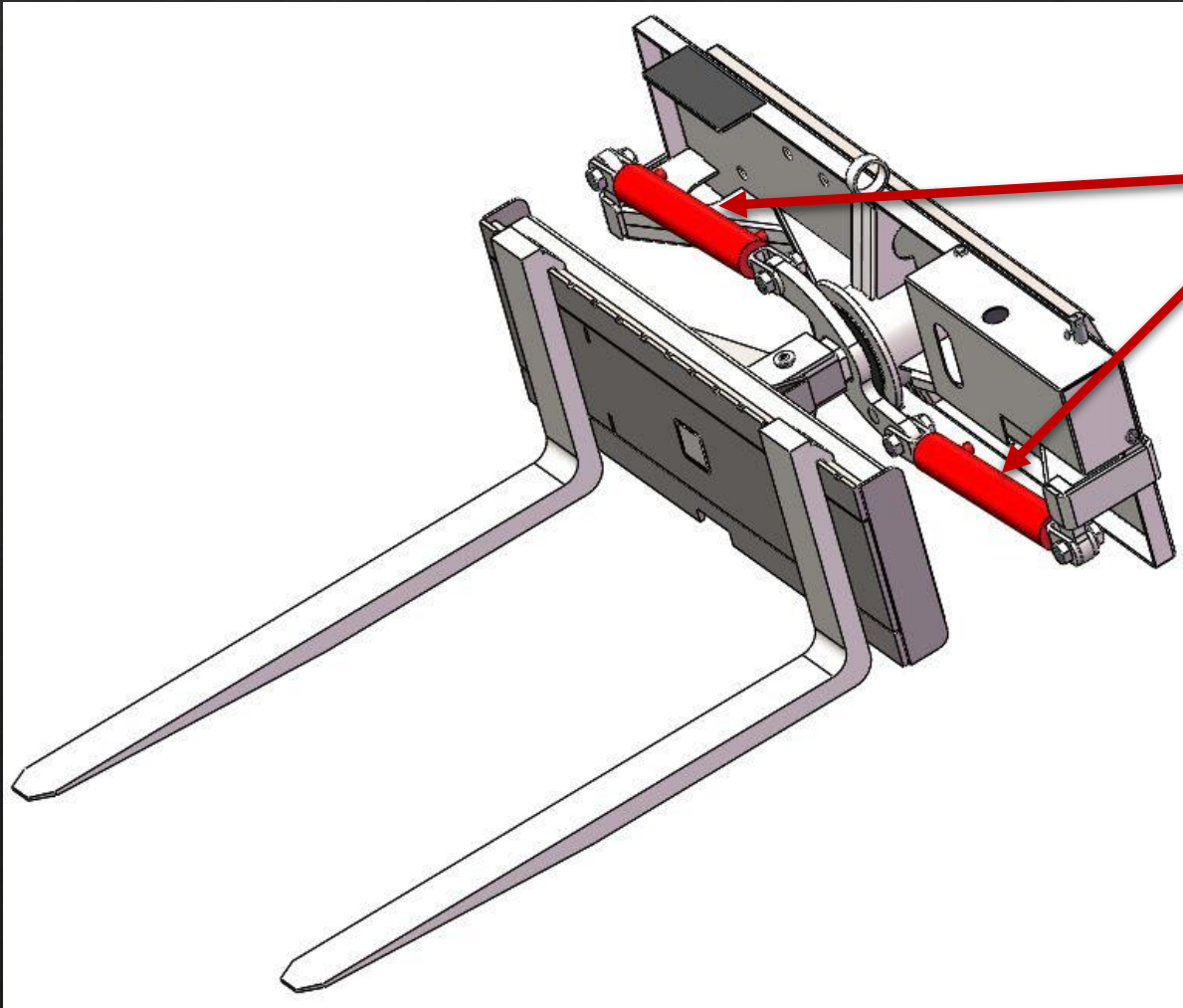
QUICK ATTACH GUSSET

Quick attach plate has gusset on top for extra support



DOUBLERS

# Cylinder Specifications

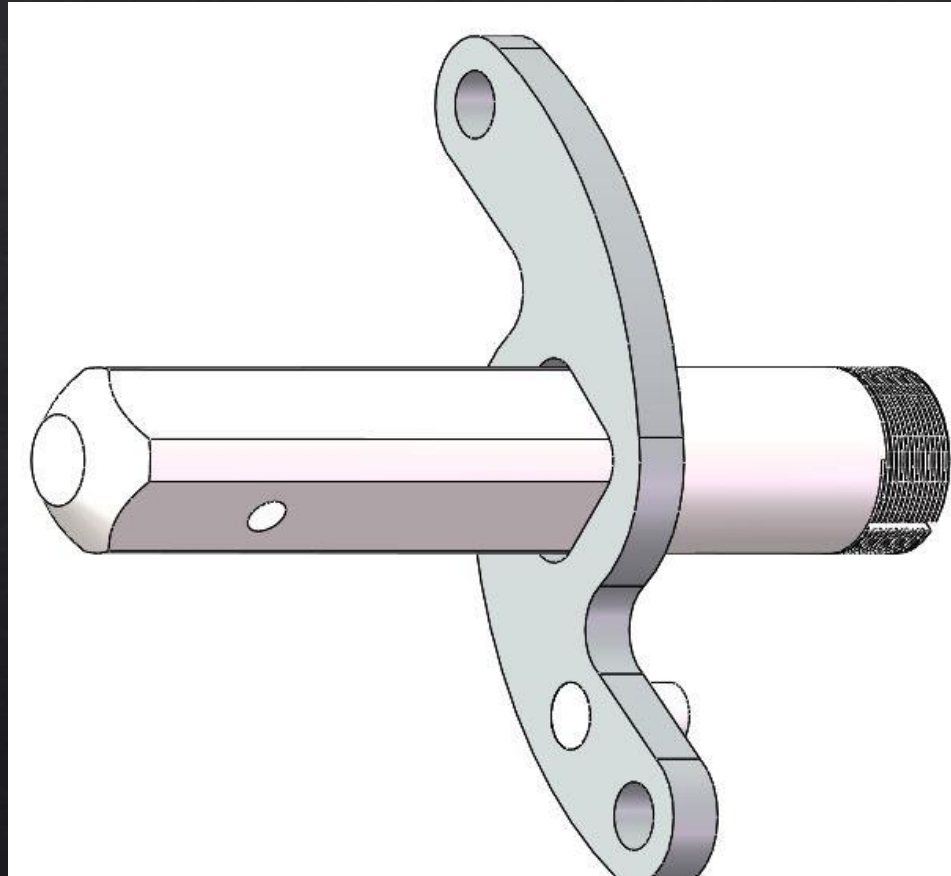


## **ROTATION CYLINDERS**

- 2.5"x12.5" CLAMP CYLINDERS
- Break out force of 14,726 lbs

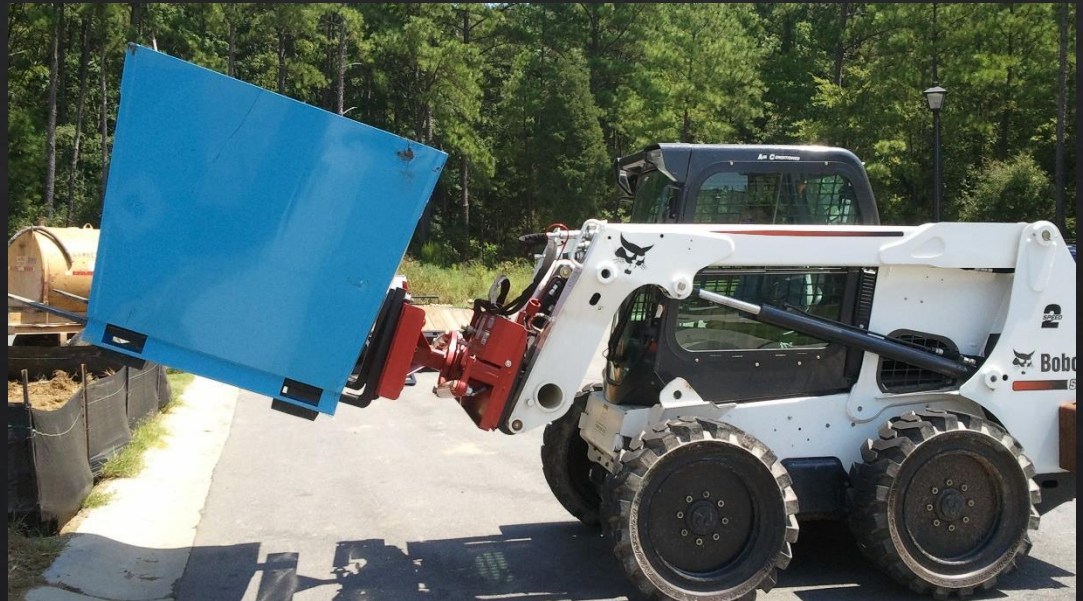
# SHAFT SAFETY

The main rotating shaft is made of solid 3 ½ inch 4140 OQT  
Front of shaft is milled down to 3 inch square and slides into the  
receiver of the toolhead.





# SAFELY DUMP LARGE BINS & CONTAINERS



**EZ SPOT UR**  
ATTACHMENTS *Make it EZ!*



*Make it EZ!*

ATTACHMENTS

**127° ROTATION  
MAKES CLEAN  
UP EZ!**





# Product Specifications



- Universal Quick Tach' mounting system.
- Can be adapted to fit any machine
- Forks will rotate 117° to the operators left with the Double Cylinder Rotating Base.
- Weight of Attachment: 914 lbs when attached to Double Cylinder Rotating Base
- 5000 lbs rated lift capacity.
- Available in 42, 48, or 60 inch fork length.

**EZ SPOT UR**  
ATTACHMENTS

*Make it EZ!*

# Product Specifications

- Comes complete with flush faced couplers
- Composed of grade 50 material
- Spring hose mount included
- Wiring harness included.
- Pallet forks and stackable containers also available



**EZ SPOT UR**  
ATTACHMENTS

*Make it EZ!*

# FORK TOOL VIDEO



**EZ SPOT UR**® *Make it EZ!*

**ATTACHMENTS**

**ALL EZ SPOT UR  
ATTACHMENTS ARE  
PROUDLY MADE IN THE USA**

**ALL EZ SPOT UR  
ATTACHMENTS COME WITH  
A ONE YEAR WARRANTY**

