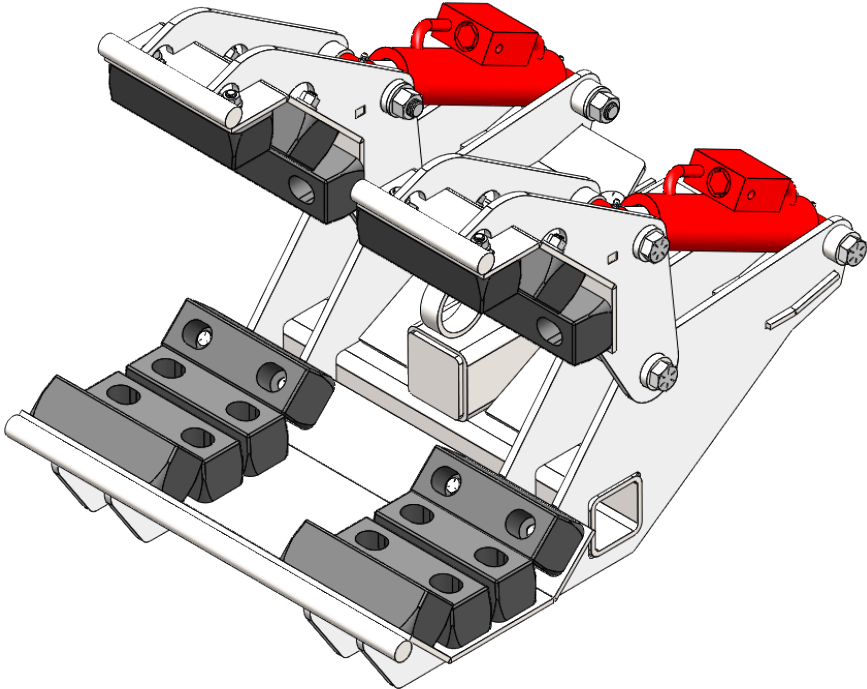
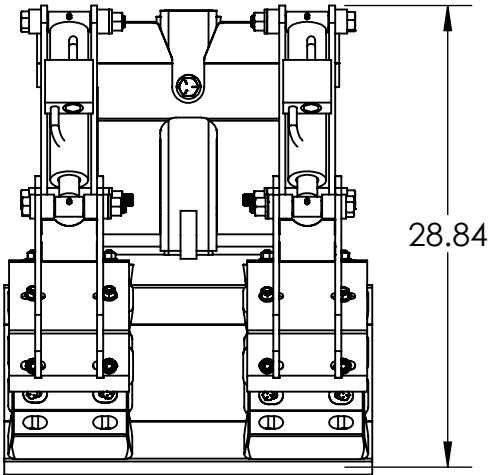


DOUBLE POLE CLAW SPECIFICATIONS



WEIGHT: 219.16 LBS

HOSES RATED FOR 15,000 PSI BURST PRESSURE

