



ATTACHMENTS

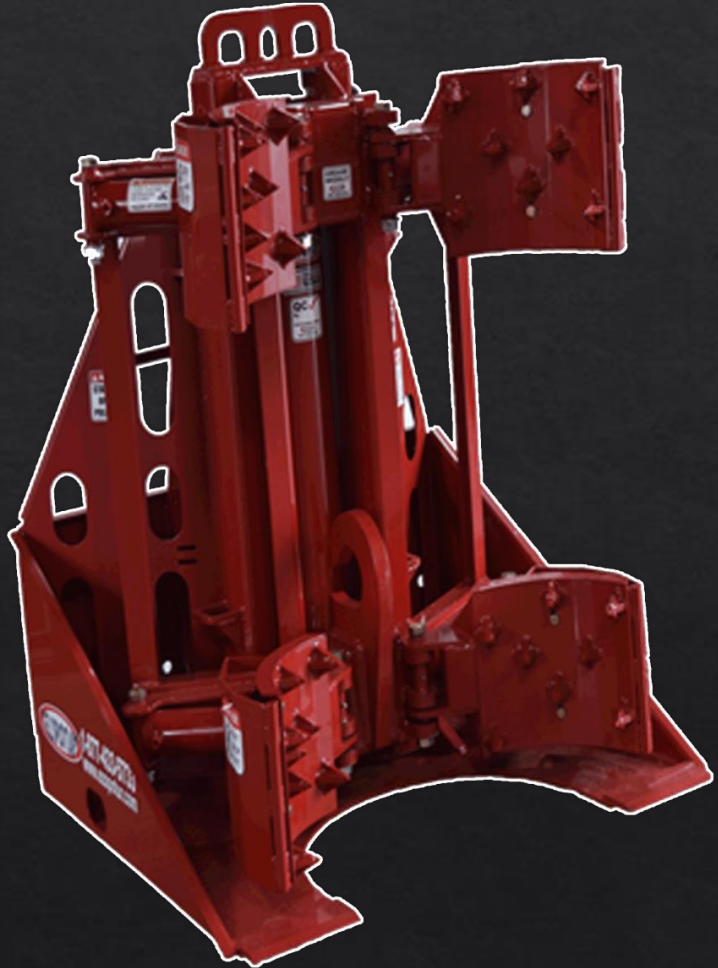
Make it EZ!

1-877-433-5733

www.ezspotur.com



Make it EZ!



**DOUBLE CLAMP
POLE JACK
EZ-DCPJ-001**



Make it EZ!



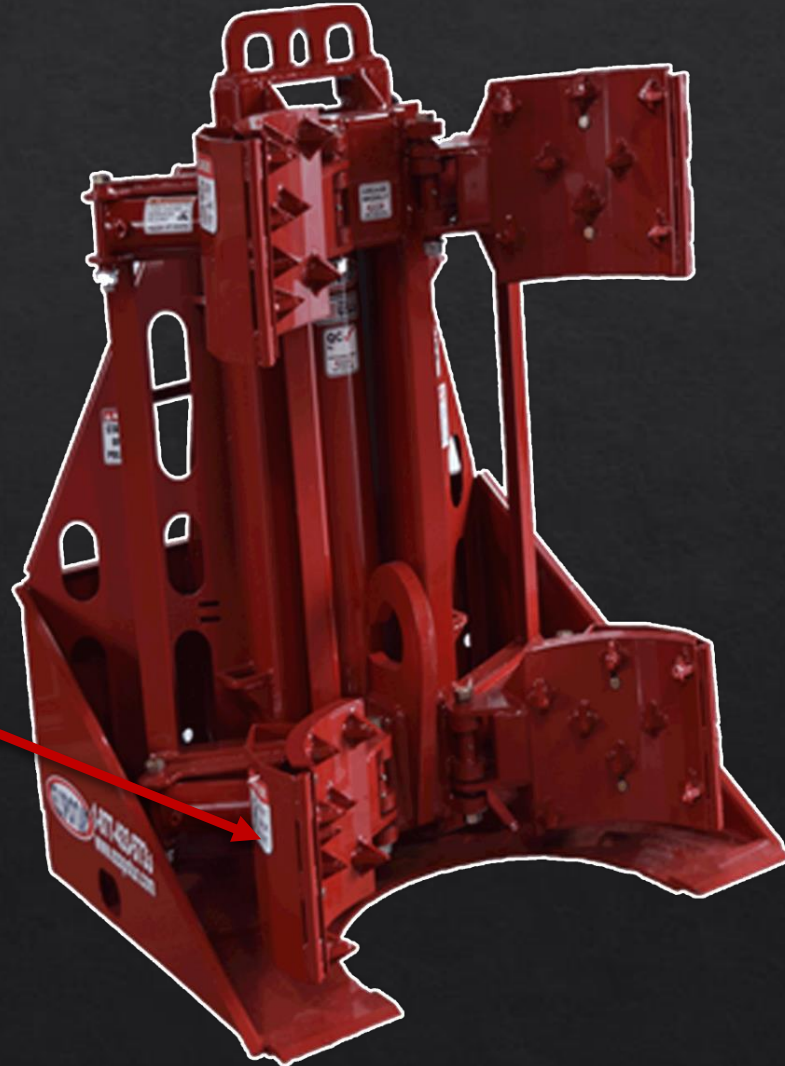
**SAFETY
FEATURES**



Make it EZ!

DECAL SAFETY

All units have pictorial and written caution decals





Make it EZ!

HOSE SAFETY

SPRING HOSE MOUNT



- All hydraulic hoses are Cordura protected.
- Hoses have an operating pressure of 3,000psi
- Hoses have a burst pressure of 12,000psi.
- The spring hose unit ensures that the hydraulic line will not get pinched.
- The spring hose unit keeps the hoses out of the dirt



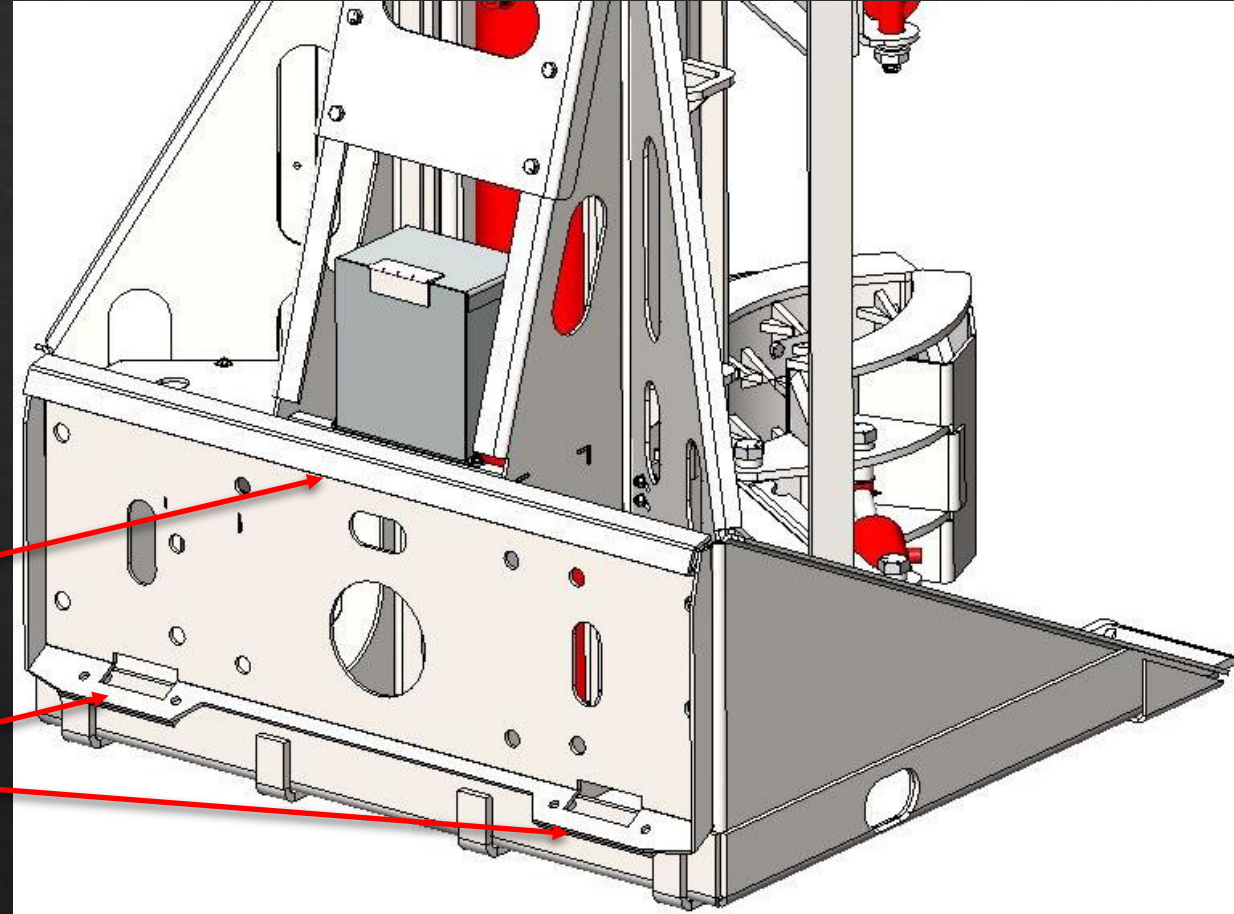
CONNECTION SAFETY

Quick attach plate has gusset on top for extra support

Quick attach plate has doublers at the pin holes to insure they will not tear out.

QUICK ATTACH GUSSET

DOUBLERS





Make it EZ!



Cutting Edge on the Bottom of the Pole Jack cuts through dirt mound at base of pole to ensure access to the pole

Reinforced Opening in base adds extra integrity to attachment

Width of base is 48.75 inches which provides a stable platform for pulling poles

DOUBLE CLAMP POLE JACK

- Pull Utility Poles Up to 100 Feet in Length
- Pull Poles from the Ground in Minutes
- One man operation allows for Smaller Crew



Make it EZ!



EZ SPOT UR
ATTACHMENTS

Make it EZ!



•Works in swamp terrain with bog shoes.

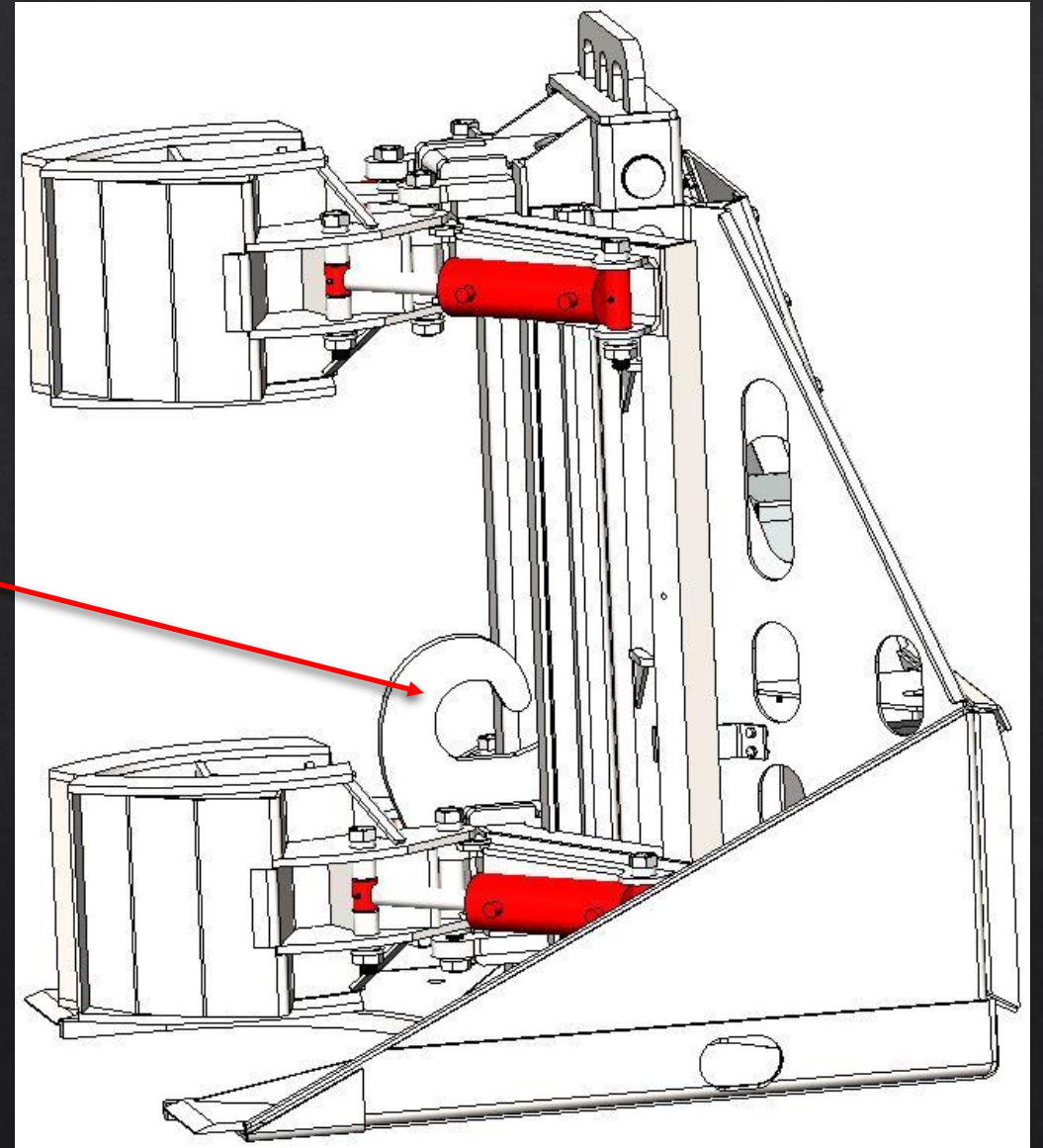
•Works in all types of Environments



CHAIN HOOK

CHAIN HOOK

- Allows for chain to be wrapped around the pole for added grip
- Use a $\frac{3}{4}$ " Grade 100 Chain



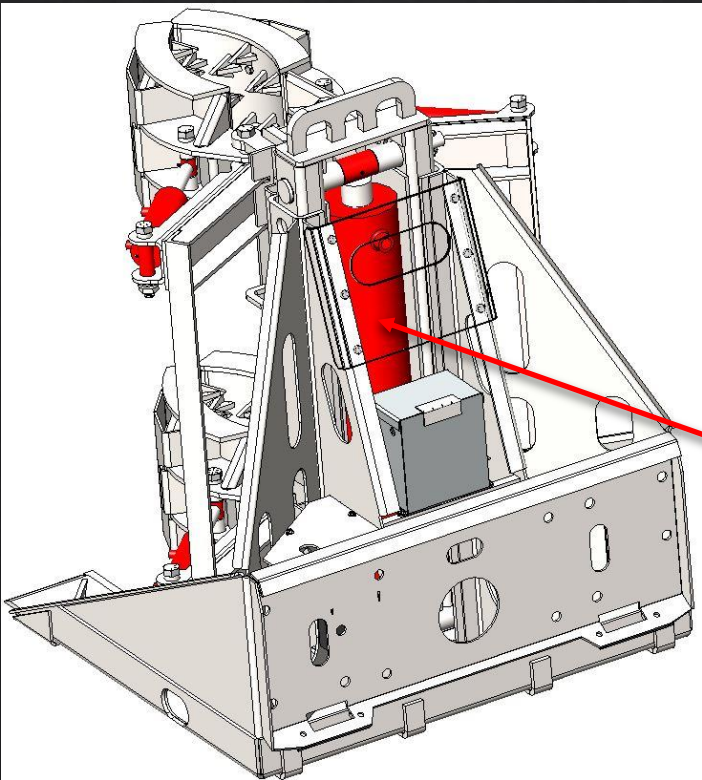
EZ SPOT UR
ATTACHMENTS

Make it EZ!

Clamp Specifications

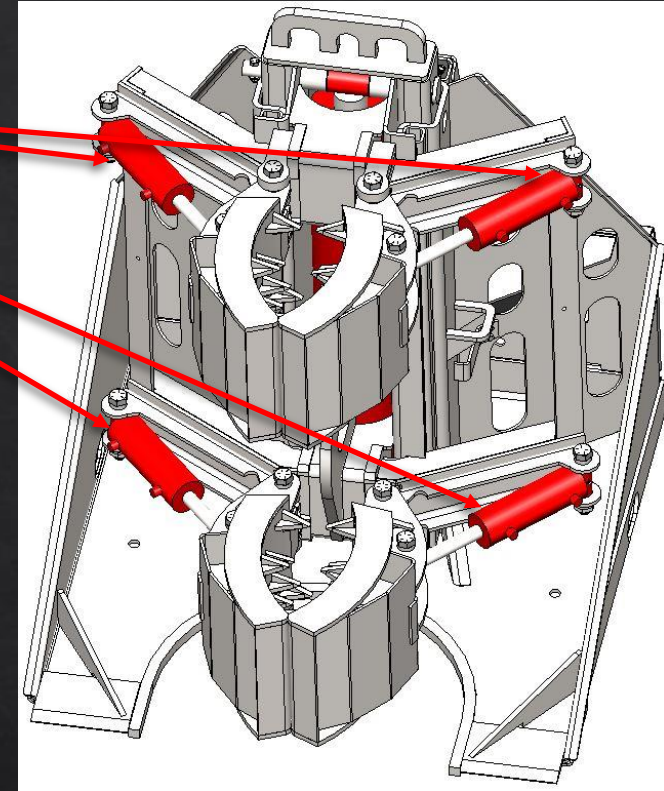
1. CLAMP CYLINDERS

- 3"x6" CLAMP CYLINDERS
- Break out force of 21,206 lbs
- Grips pole securely



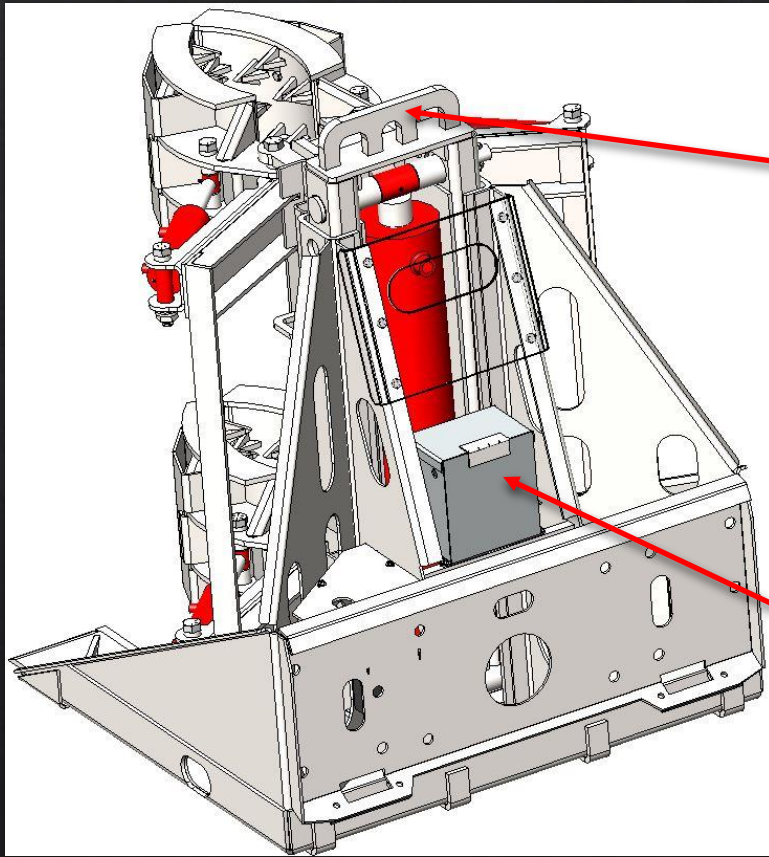
2. EXTRACTION CYLINDER

- 7"X36" EXTRACTION CYLINDER
- Break out force of 115,453 lbs
- Extracts pole from the ground





Make it EZ!



LIFTING POINT FOR PLACING POLE JACK WITH A DIGGER DERRICK TRUCK

OPTIONAL BATTERY BOX WITH RADIO TRANSMITTER FOR USE WITH A DIGGER DERRICK TRUCK

Product Specifications

- Universal Quick Tach' mounting system.
- Can be adapted to fit excavators, wheel loaders, telehandlers, and backhoes.
- Extracts poles up to 100 feet in length with one man operation.
- 2,500 lbs. attachment weight.
- 7,000 weight capacity
- Jaws open from 31 inches down to 2.7 inches.



Make it EZ!

Product Specifications



- 1 7/16" 4140 pins for extraction cylinder
- 60,200 psi yield strength
- Composed of Grade 80 material or higher.
- Core welded to withstand years of wear and tear.
- Comes complete with 3/4" flush face couplers
- Spring hose mount included.
- Wiring harness included.

Important Tips

- Pole Jack is strictly used for pulling poles and not handling poles.
- A Digger Derrick or other equipment is required to handle and control the pole when it is out of the ground.
- The base plate should never leave the ground when pulling poles
- The base of the Double Clamp Pole Jack needs to be as flat as possible on the ground
- The jaws of the Double Clamp Pole Jack should be parallel to the pole

EZ SPOT UR
ATTACHMENTS *Make it EZ!*



DOUBLE CLAMP POLE JACK VIDEO





ATTACHMENTS

Make it EZ!

**ALL EZ SPOT UR PRODUCTS
ARE MADE IN THE USA**

**ALL ATTACHMENTS COME WITH
A ONE YEAR WARRANTY**

