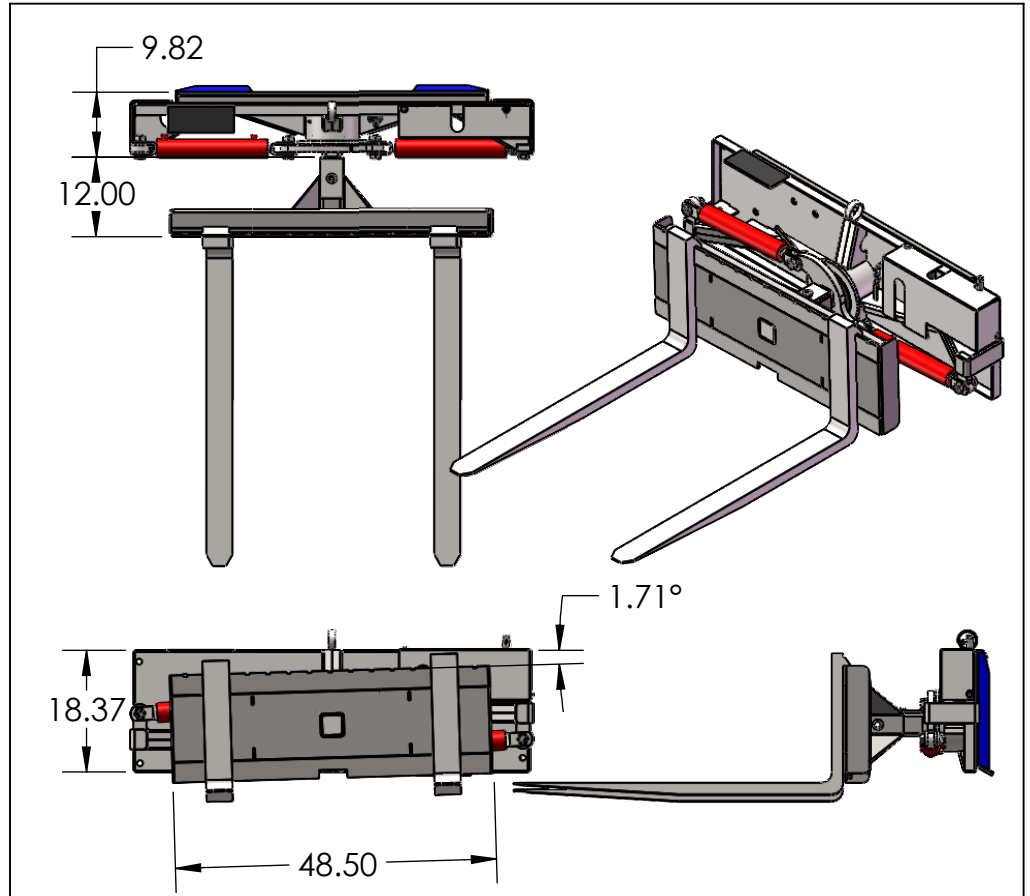


ROTATES 127° TO OPERATOR'S LEFT

WEIGHT= 916.15 LBS



PROPRIETARY AND CONFIDENTIAL

THE INFORMATION CONTAINED IN THIS DRAWING IS THE SOLE PROPERTY OF EZ-SPOT-UR. ANY REPRODUCTION IN PART OR AS A WHOLE WITHOUT THE WRITTEN PERMISSION OF EZ-SPOT-UR IS PROHIBITED.

		UNLESS OTHERWISE SPECIFIED:	NAME	DATE
		DIMENSIONS ARE IN INCHES	DRAWN	BEVAN
		TOLERANCES:	CHECKED	12-4-12
		FRACTIONAL ±	ENG APPR.	
		ANGULAR: MACH ± BEND ±	MFG APPR.	
		TWO PLACE DECIMAL ±	Q.A.	
		THREE PLACE DECIMAL ±	COMMENTS:	
		INTERPRET GEOMETRIC TOLERANCING PER:		
		MATERIAL		
		FINISH		
NEXT ASSY	USED ON			
APPLICATION	DO NOT SCALE DRAWING			

EZ-SPOT-UR

TITLE:

FORK TOOL ON STANDARD BASE

SIZE **A** DWG. NO. FT-01-0019 - FORK TOOL WITH STANDARD BASE REV

SCALE: 1:29 WT: 916.15 LBS SHEET 1 OF 1