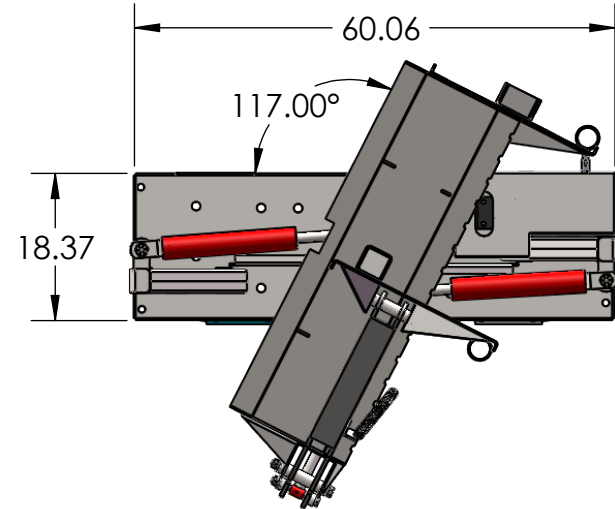
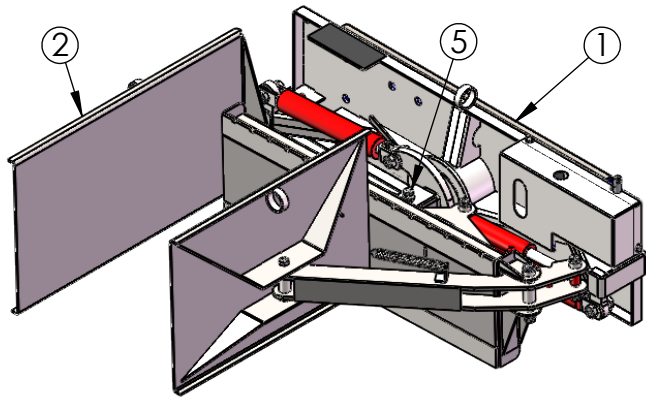
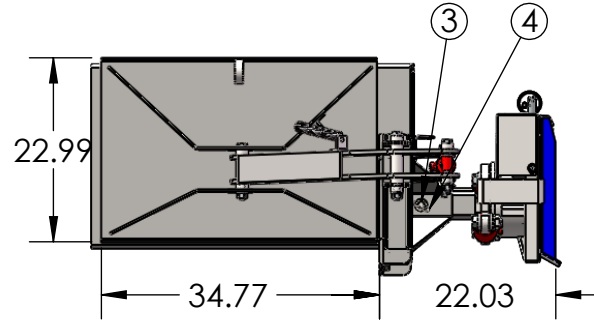
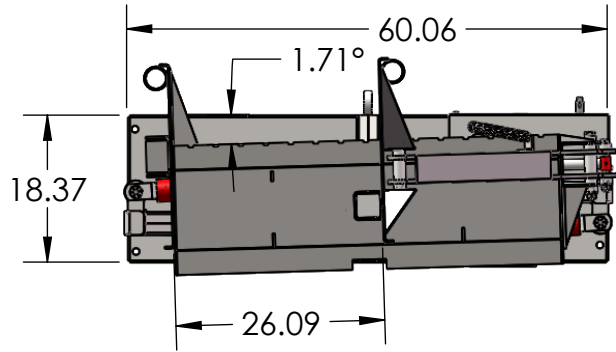


ITEM NO.	PART NUMBER	DESCRIPTION	
1	EZ-01-0021	STANDARD BASE WITH UPDATED SPINDLE	1
2	FT-02-0004	FORK TOOL ASSEMBLY	1
3	FA11197-01206	3/4" DIA 6-1/4"L STEEL HITCH PIN	1
4	HDW-00-0035	COTTER PIN	1
5	FA13359	3/4"-10 x 1-1/2" Grade 5 Zinc Finish Hex Cap Screw	1

REVISIONS			
REV.	DESCRIPTION	DATE	APPROVED
A	ADDED THE RECEIVER PIN AND BOLT	3/15/2019	BEVAN



UNLESS OTHERWISE SPECIFIED:		NAME	DATE
DIMENSIONS ARE IN INCHES		DRAWN	BEVAN 11/28/2018
TOLERANCES:		CHECKED	
FRACTIONAL ±		ENG APPR.	
ANGULAR: MACH ± BEND ±		MFG APPR.	
TWO PLACE DECIMAL ±		Q.A.	
THREE PLACE DECIMAL ±		COMMENTS:	
INTERPRET GEOMETRIC TOLERANCING PER:			
MATERIAL			
FINISH			
NEXT ASSY	USED ON		
APPLICATION			
DO NOT SCALE DRAWING			

# EZ-SPOT-UR

TITLE:  
**CLAMPING FORK TOOL ON  
 STANDARD BASE WITH EXTRA  
 ROTATION**

SIZE <b>A</b>	DWG. NO. FT-02-0012-B - CLAMPING FORK TOOL WITH STD BASE WITH EXTRA ROTATION	REV <b>A</b>
------------------	--	-----------------

SCALE: 1:24 WEIGHT: 929.66 LBS SHEET 1 OF 1

**PROPRIETARY AND CONFIDENTIAL**

THE INFORMATION CONTAINED IN THIS DRAWING IS THE SOLE PROPERTY OF EZ-SPOT-UR. ANY REPRODUCTION IN PART OR AS A WHOLE WITHOUT THE WRITTEN PERMISSION OF EZ-SPOT-UR IS PROHIBITED.