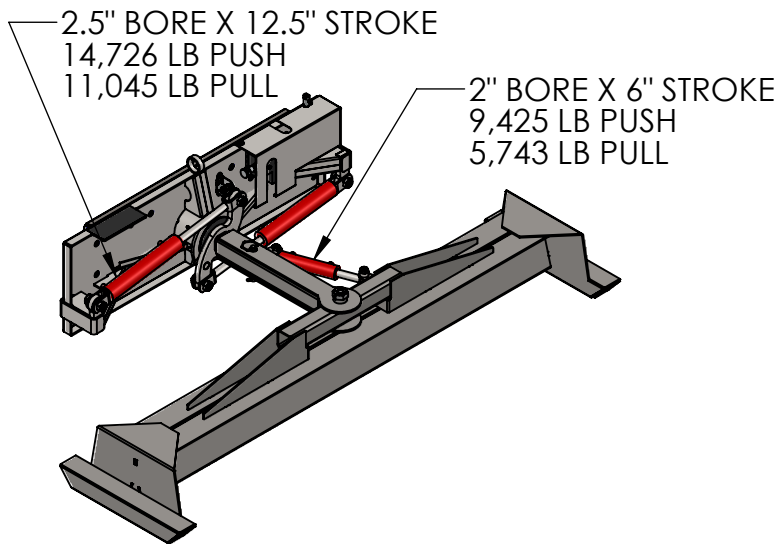
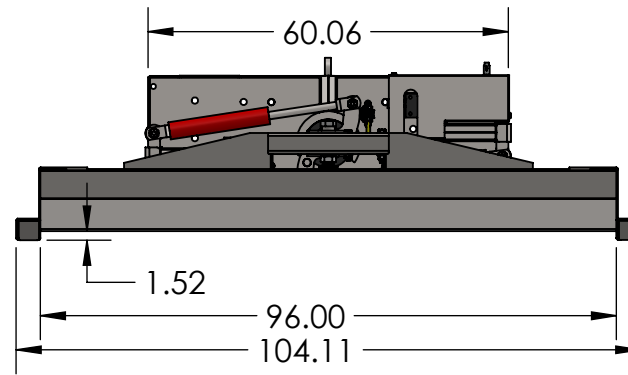
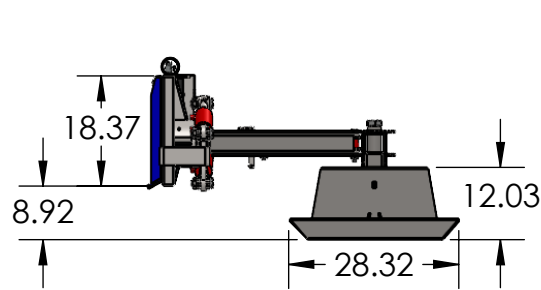
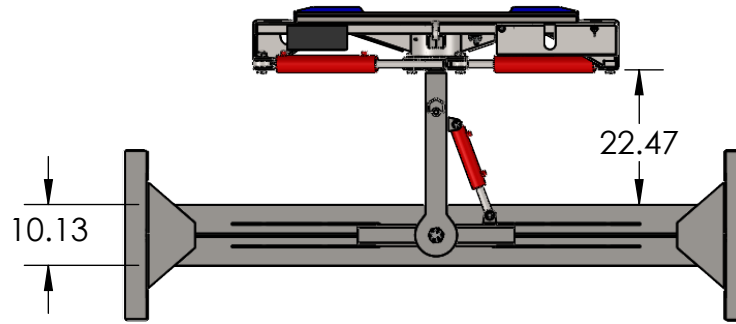


ITEM NO.	PART NUMBER	DESCRIPTION	QTY.
1	EZ-01-0001	STANDARD BASE	1
2	FA11197-01206	3/4" DIA 6-1/4"L STEEL HITCH PIN	1
3	GT-01-0001	GRADER BLADE ASSEMBLY	1
4	HDW-00-0035	COTTER PIN FOR 3/4" PIN	1



UNLESS OTHERWISE SPECIFIED:		NAME	DATE	EZ-SPOT-UR	
DIMENSIONS ARE IN INCHES TOLERANCES: FRACTIONAL ± ANGULAR: MACH ± BEND ± TWO PLACE DECIMAL ± THREE PLACE DECIMAL ±		DRAWN	BEVAN 9/14/2021		
INTERPRET GEOMETRIC TOLERANCING PER:		CHECKED			
MATERIAL		ENG APPR.		SIZE A DWG. NO. GT-01-0004 - GRADER BLADE ON THE STANDARD BASE REV	
FINISH		MFG APPR.			
NEXT ASSY		Q.A.		SCALE: 1:32 WEIGHT: 886.38 LBS SHEET 1 OF 1	
USED ON		COMMENTS:			
APPLICATION		DO NOT SCALE DRAWING			

PROPRIETARY AND CONFIDENTIAL

THE INFORMATION CONTAINED IN THIS DRAWING IS THE SOLE PROPERTY OF EZ-SPOT-UR. ANY REPRODUCTION IN PART OR AS A WHOLE WITHOUT THE WRITTEN PERMISSION OF EZ-SPOT-UR IS PROHIBITED.