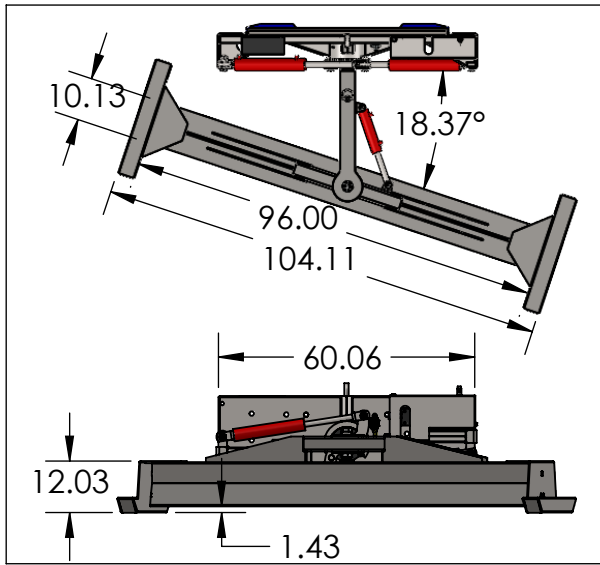
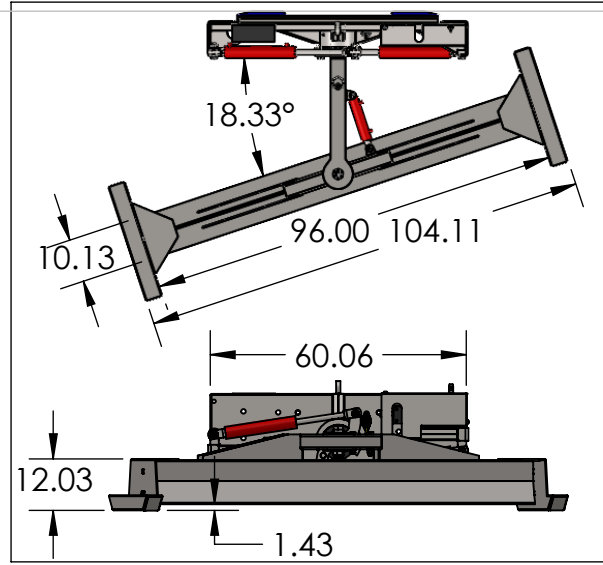


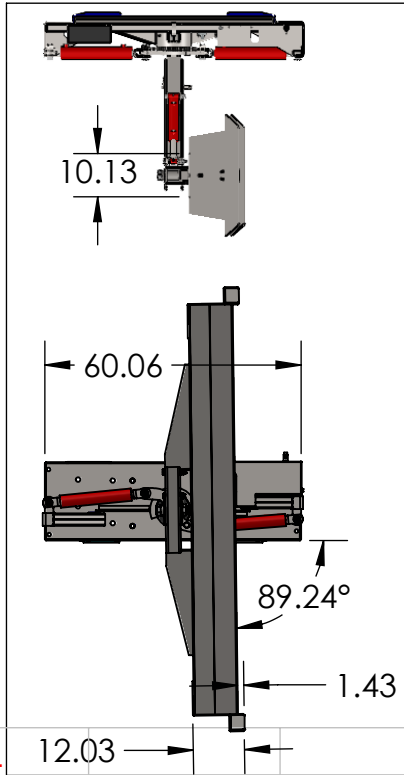
GRADER CYLINDER EXTENDED



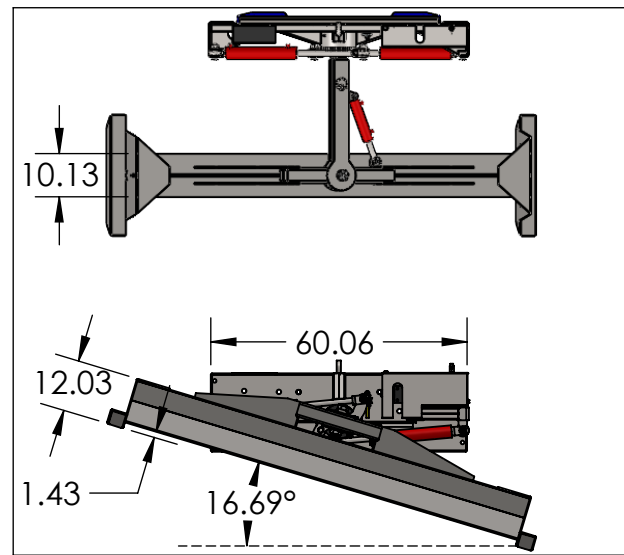
GRADER CYLINDER RETRACTED



BASE ROTATION CYLINDERS RETRACTED



BASE ROTATION CYLINDERS EXTENDED ALL THE WAY



UNLESS OTHERWISE SPECIFIED:

DIMENSIONS ARE IN INCHES
 TOLERANCES:
 FRACTIONAL ±
 ANGULAR: MACH ± BEND ±
 TWO PLACE DECIMAL ±
 THREE PLACE DECIMAL ±

INTERPRET GEOMETRIC TOLERANCING PER:

MATERIAL
 FINISH

NEXT ASSY
 USED ON
 APPLICATION
 DO NOT SCALE DRAWING

	NAME	DATE
DRAWN	BEVAN	9/21/2021
CHECKED		
ENG APPR.		
MFG APPR.		
Q.A.		
COMMENTS:		

EZ-SPOT-UR

TITLE:
GRADER BLADE ON THE STANDARD BASE

SIZE A	DWG. NO. GT-01-0004-B - GRADER BLADE CONFIGURATIONS	REV
------------------	--	-----

SCALE: 1:45 WEIGHT: 886.38 LBS SHEET 1 OF 1

PROPRIETARY AND CONFIDENTIAL
 THE INFORMATION CONTAINED IN THIS DRAWING IS THE SOLE PROPERTY OF EZ-SPOT-UR. ANY REPRODUCTION IN PART OR AS A WHOLE WITHOUT THE WRITTEN PERMISSION OF EZ-SPOT-UR IS PROHIBITED.