

ATTACHMENT ROTATES 115° TO OPERATOR'S LEFT
 JAWS OPEN TO 25.00"
 JAWS CLOSE TO 13.70"
 WEIGHT: 3108.32 LBS

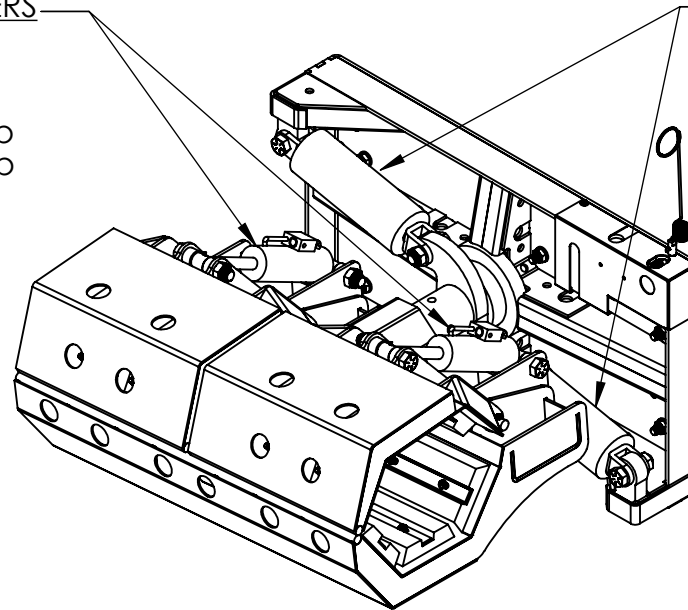
BOLT-ON WHEEL LOADER/EXCAVATOR MOUNTS ADD EXTRA WEIGHT

CLAMP CYLINDERS

BORE: 4.0"
 STROKE: 8"
 PUSH: 37699 lb
 PULL: 34018 lb

ROTATION CYLINDERS

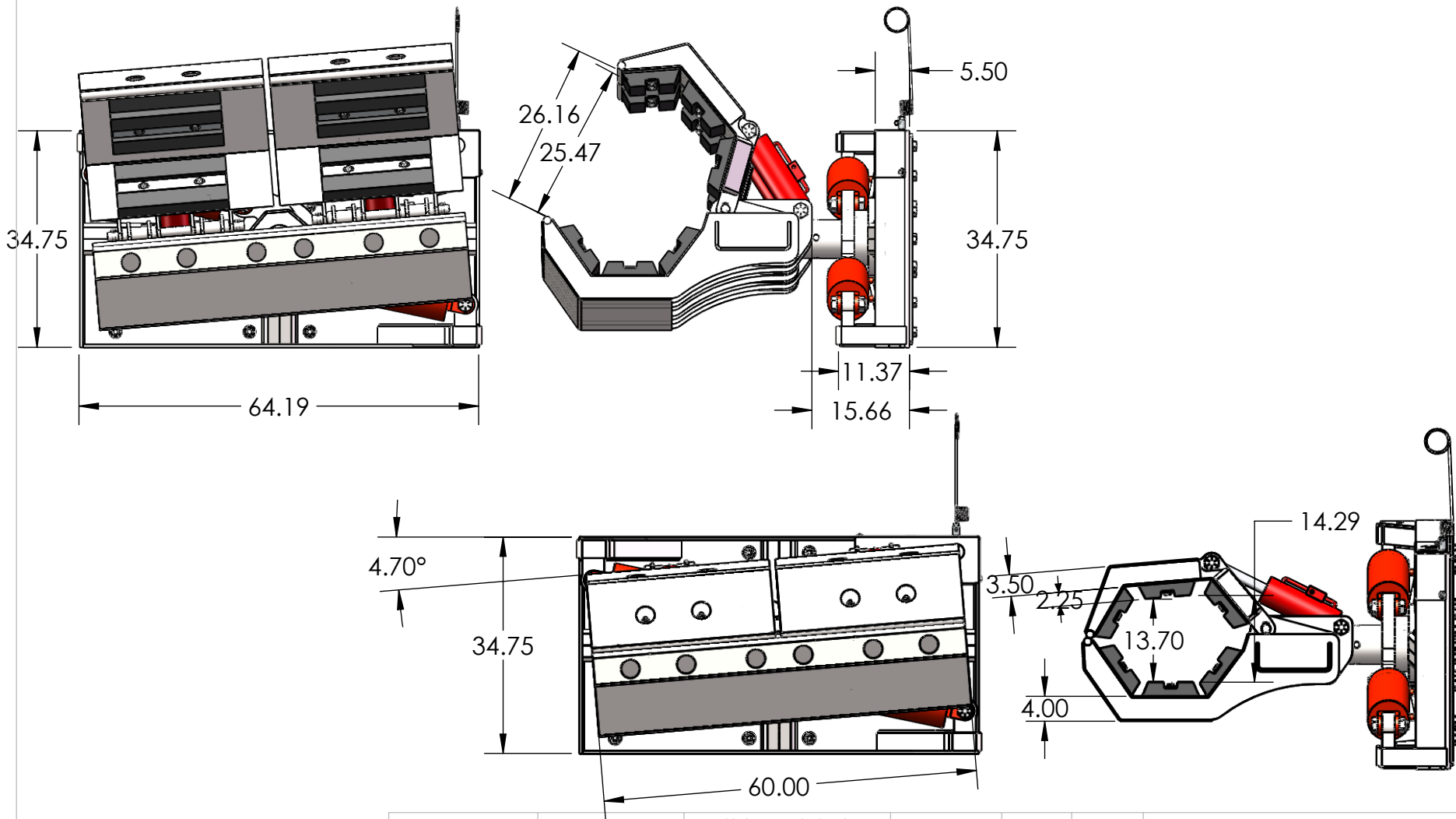
BORE: 6.0"
 STROKE: 12.5"
 PUSH: 84823 lb
 PULL: 70097 lb



BEARINGS

QTY: 2
 TYPE: TAPERED ROLLER BEARING SINGLE CONE
 DYNAMIC RADIAL LOAD RATING - 1 MILLION REVS61800 lbf
 DYNAMIC RADIAL LOAD RATING - 90 MILLION REVS16000 lbf
 DYNAMIC AXIAL LOAD RATING - 90 MILLION REVS14100 lbf
 STATIC LOAD RATING94200 lbf

<p>UNLESS OTHERWISE SPECIFIED:</p> <p>DIMENSIONS ARE IN INCHES TOLERANCES: FRACTIONAL ± ANGULAR: MACH ± BEND ± TWO PLACE DECIMAL ± THREE PLACE DECIMAL ±</p> <p>INTERPRET GEOMETRIC TOLERANCING PER: MATERIAL FINISH</p> <p>APPLICATION</p> <p>DO NOT SCALE DRAWING</p>				<p>NAME</p> <p>BEVAN</p>	<p>DATE</p> <p>1/11/2019</p>	<p>EZ-SPOT-UR</p>								
<p>REVISIONS</p> <table border="1"> <thead> <tr> <th>REV.</th> <th>DESCRIPTION</th> <th>DATE</th> <th>APPROVED</th> </tr> </thead> <tbody> <tr> <td>A</td> <td>ADDED THE SPRING FOR THE HYDRAULIC HOSES</td> <td>1/15/2019</td> <td>BEVAN</td> </tr> </tbody> </table>				REV.	DESCRIPTION	DATE	APPROVED	A	ADDED THE SPRING FOR THE HYDRAULIC HOSES	1/15/2019	BEVAN	<p>DRAWN</p> <p>CHECKED</p> <p>ENG APPR.</p> <p>MFG APPR.</p> <p>Q.A.</p> <p>COMMENTS:</p>	<p>TITLE:</p> <p>POLE CLAW SPEC SHEET</p>	
REV.	DESCRIPTION	DATE	APPROVED											
A	ADDED THE SPRING FOR THE HYDRAULIC HOSES	1/15/2019	BEVAN											
<p>PROPRIETARY AND CONFIDENTIAL</p> <p>THE INFORMATION CONTAINED IN THIS DRAWING IS THE SOLE PROPERTY OF EZ-SPOT-UR. ANY REPRODUCTION IN PART OR AS A WHOLE WITHOUT THE WRITTEN PERMISSION OF EZ-SPOT-UR IS PROHIBITED.</p>				<p>SIZE</p> <p>A</p>	<p>DWG. NO.</p> <p>HD-02-006A-1 - SPEC SHEET WITH CYL CHECK VALVES</p>	<p>REV</p> <p>A</p>								
<p>SCALE: 1:24</p>				<p>WEIGHT: 3108.32 LBS</p>	<p>SHEET 1 OF 3</p>									

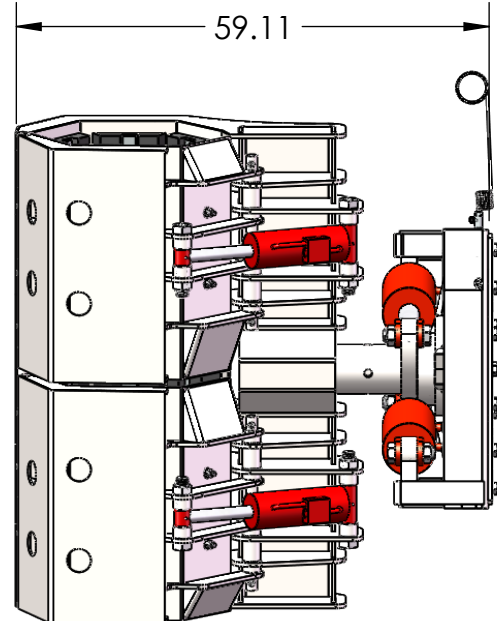
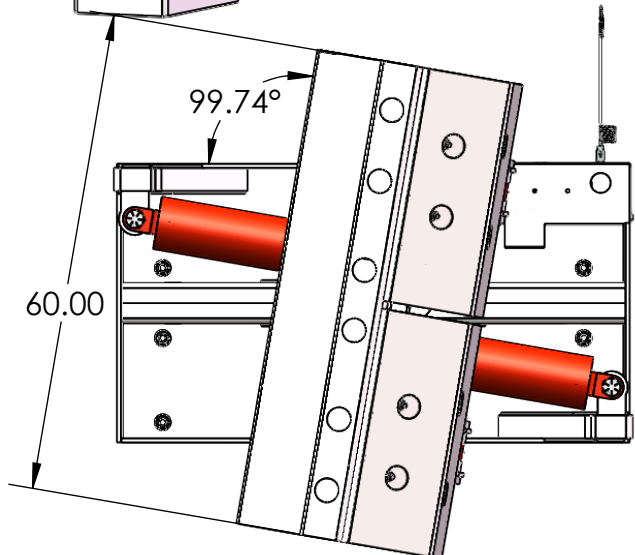
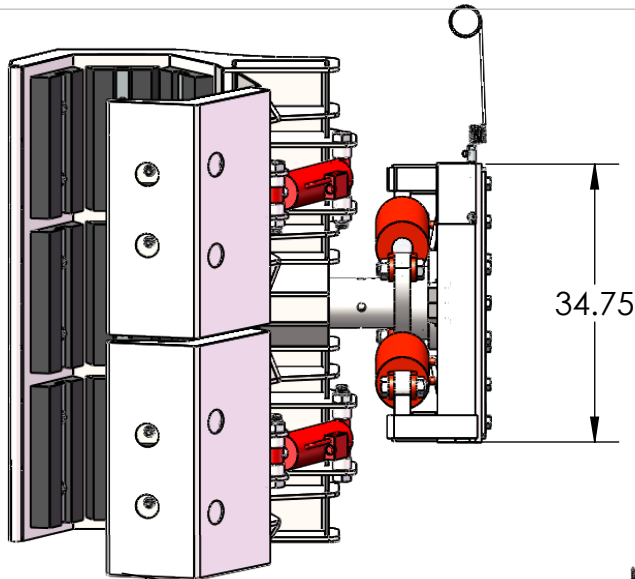
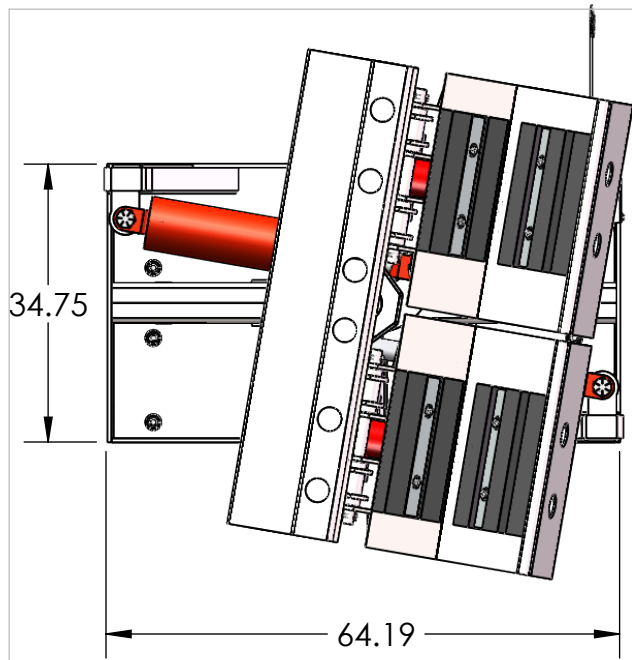


		UNLESS OTHERWISE SPECIFIED:	NAME	DATE
		DIMENSIONS ARE IN INCHES	DRAWN	BEVAN
		TOLERANCES:	CHECKED	1/11/2019
		FRACTIONAL ±	ENG APPR.	
		ANGULAR: MACH ± BEND ±	MFG APPR.	
		TWO PLACE DECIMAL ±	Q.A.	
		THREE PLACE DECIMAL ±	COMMENTS:	
		INTERPRET GEOMETRIC TOLERANCING PER:		
		MATERIAL		
NEXT ASSY	USED ON	FINISH		
APPLICATION		DO NOT SCALE DRAWING		

EZ-SPOT-UR		
TITLE: POLE CLAW WELDMENT		
SIZE A	DWG. NO. HD-02-006A-1 - SPEC SHEET WITH CYL CHECK VALVES	REV A
SCALE: 1:24	WEIGHT: 3108.32 LBS	SHEET 2 OF 3

PROPRIETARY AND CONFIDENTIAL

THE INFORMATION CONTAINED IN THIS DRAWING IS THE SOLE PROPERTY OF EZ-SPOT-UR. ANY REPRODUCTION IN PART OR AS A WHOLE WITHOUT THE WRITTEN PERMISSION OF EZ-SPOT-UR IS PROHIBITED.



		UNLESS OTHERWISE SPECIFIED:	NAME	DATE
		DIMENSIONS ARE IN INCHES	DRAWN	BEVAN 1/11/2019
		TOLERANCES:	CHECKED	
		FRACTIONAL ±	ENG APPR.	
		ANGULAR: MACH ± BEND ±	MFG APPR.	
		TWO PLACE DECIMAL ±	Q.A.	
		THREE PLACE DECIMAL ±	COMMENTS:	
		INTERPRET GEOMETRIC TOLERANCING PER:		
		MATERIAL		
NEXT ASSY	USED ON	FINISH		
APPLICATION		DO NOT SCALE DRAWING		

EZ-SPOT-UR

TITLE:
POLE CLAW WELDMENT

SIZE A	DWG. NO. HD-02-006A-1 - SPEC SHEET WITH CYL CHECK VALVES	REV A
------------------	----------------------------------------------------------------	-----------------

SCALE: 1:24 WEIGHT: 3108.32 LBS SHEET 3 OF 3

PROPRIETARY AND CONFIDENTIAL

THE INFORMATION CONTAINED IN THIS DRAWING IS THE SOLE PROPERTY OF EZ-SPOT-UR. ANY REPRODUCTION IN PART OR AS A WHOLE WITHOUT THE WRITTEN PERMISSION OF EZ-SPOT-UR IS PROHIBITED.