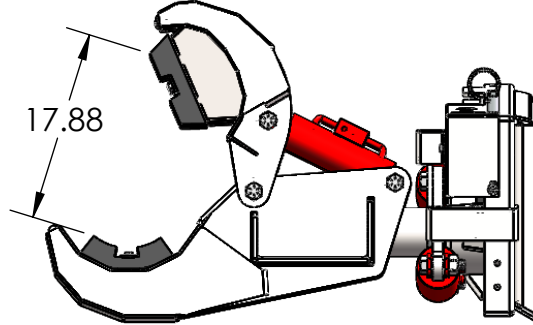
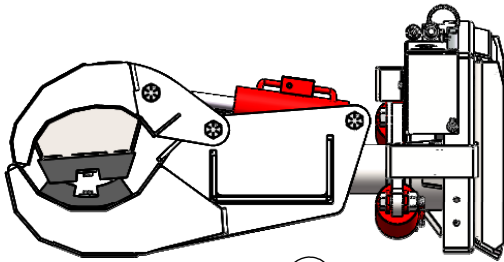
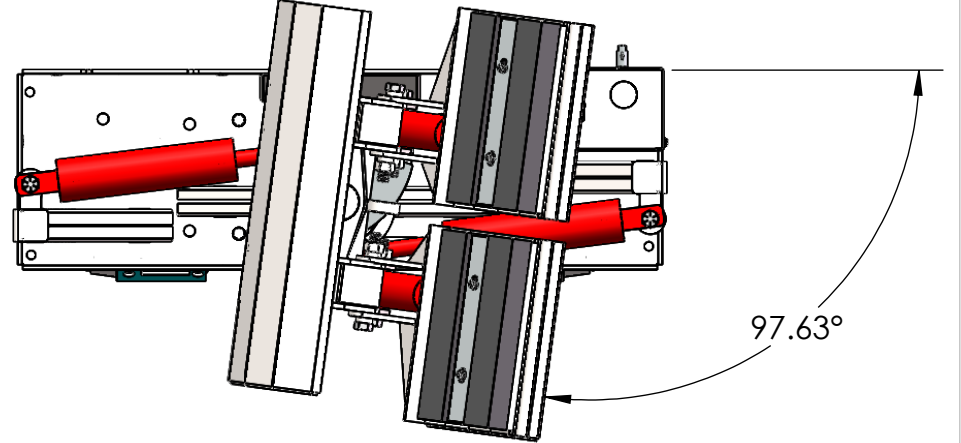
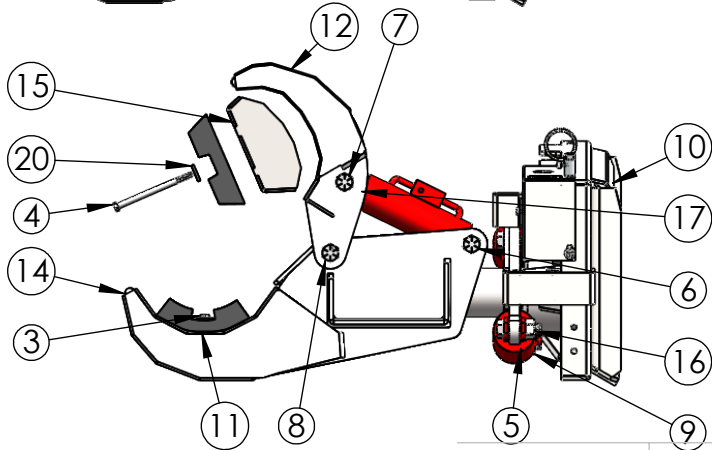


REVISIONS			
REV.	DESCRIPTION	DATE	APPROVED
A	ADDED EXPLODED VIEW OF THE INSERT	8/30/2018	BEVAN
B	UPDATED THE NUTS AND BOLTS	2/20/2019	BEVAN
C	UPDATED THE CYLINDER PART NUMBERS	3/6/2019	BEVAN
D	UPDATED PART NUMBER FOR RUBBER BUMPERS	10/17/2019	BEVAN



ITEM NO.	PART NUMBER	DESCRIPTION	QTY.
1	FA0166990	1/2"-13 GRADE F ZINC FLANGE TOP LOCK NUT	8
2	FA13015	1/4"-20 x 3" GRADE 5 ZINC HEX CAP SCREW	2
3	FA15214	1/2"-13 x 2-3/4" GRADE 8 YELLOW ZINC HEX CAP SCREW	4
4	FA15228	1/2"-13 x 7-1/2" GRADE 8 YELLOW ZINC HEX CAP SCREW	4
5	FA15467	1"-8 x 3.5" GRADE 8 YELLOW ZINC HEX CAP SCREW	4
6	FA15478	1"-8 x 7.5" GRADE 8 YELLOW ZINC HEX CAP SCREW	2
7	FA15479	1"-8 x 8" GRADE 8 YELLOW ZINC HEX CAP SCREW	2
8	FA15480	1"-8 x 8-1/2" GRADE 8 YELLOW ZINC HEX CAP SCREW	2
9	FA36420	1"-8 GRADE 8 YELLOW ZINC HEX NUT	10
10	HDPB-01-0001	ASSY, HD POLE BASE DOUBLE	1
11	FA91000820(C)	18" x 9" x 2" M-SHAPED BUMPER	2
12	HDPC-01-0002-L	WELDMENT, LEFT UPPER JAW	1
13	HDPC-01-0002-R	WELDMENT, RIGHT UPPER JAW	1
14	HDPC-01-0003	WELDMENT, LOWER JAW	1
15	INSERT	LARGE UPPER INSERT	2
16	P-MP-EZS0011	4 x 12.5 x 1.75 CYLINDER	2
17	P-MP-EZS0022	3 x 6 x 1.25 CYLINDER WITH PILOT CHECK VALVE	2
18	P-ST-801304010	3/4" FLUSH FACE COUPLER FEMALE	1
19	P-ST-805204005	3/4" FLUSH FACE COUPLER MALE	1
20	RS-00-0001 rubber strip	BOLT STRIP FOR RUBBER BUMPERS	4



UNLESS OTHERWISE SPECIFIED:

DIMENSIONS ARE IN INCHES
 TOLERANCES:
 FRACTIONAL ±
 ANGULAR: MACH ± BEND ±
 TWO PLACE DECIMAL ±
 THREE PLACE DECIMAL ±

INTERPRET GEOMETRIC
 TOLERANCING PER:

MATERIAL

FINISH

DO NOT SCALE DRAWING

	NAME	DATE
DRAWN	BEVAN	6/5/2013
CHECKED		
ENG APPR.		
MFG APPR.		
Q.A.		
COMMENTS:		

EZ-SPOT-UR

TITLE:

ASSEMBLY, HEAVY DUTY
 POLE CLAW

SIZE	DWG. NO.	REV
A	HDPC-01-0017-A - HDPC WITH UPPER INSERT	D

SCALE: 1:18 WEIGHT: 1215.19 LBS SHEET 1 OF 1

PROPRIETARY AND CONFIDENTIAL

THE INFORMATION CONTAINED IN THIS DRAWING IS THE SOLE PROPERTY OF EZ-SPOT-UR. ANY REPRODUCTION IN PART OR AS A WHOLE WITHOUT THE WRITTEN PERMISSION OF EZ-SPOT-UR IS PROHIBITED.

NEXT ASSY	USED ON
APPLICATION	