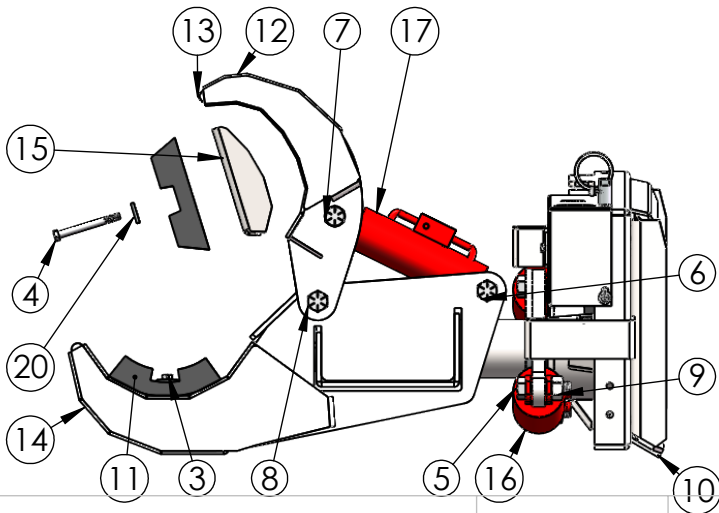
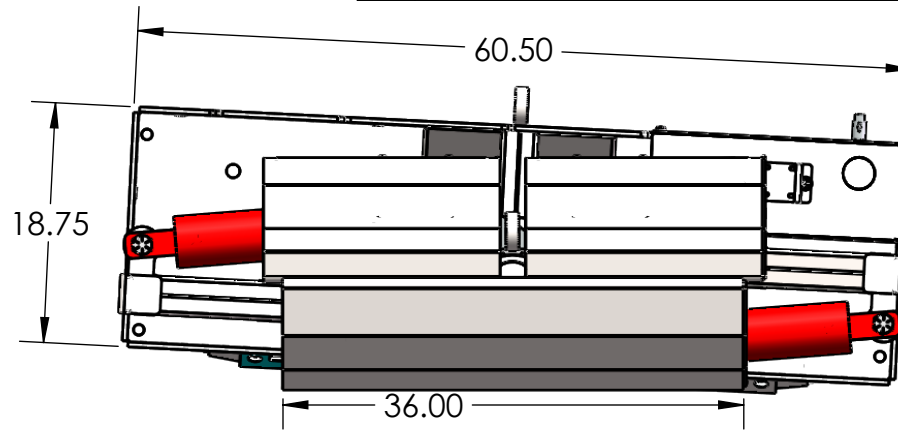
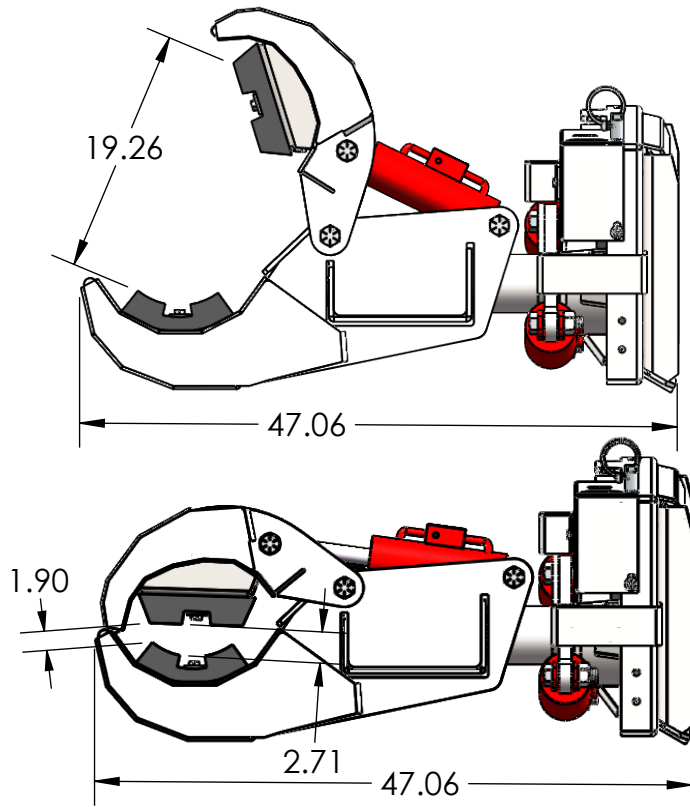


| REVISIONS | | | |
|-----------|--|------------|----------|
| REV. | DESCRIPTION | DATE | APPROVED |
| A | ADDED EXPLODED VIEW OF THE INSERT | 8/30/2018 | BEVAN |
| B | UPDATED THE NUTS AND BOLTS | 2/20/2019 | BEVAN |
| C | UPDATED THE CYLINDER PART NUMBERS | 3/6/2019 | BEVAN |
| D | UPDATED THE P/N FOR THE RUBBER BUMPERS | 10/17/2019 | BEVAN |



| ITEM NO. | PART NUMBER | DESCRIPTION | QTY. |
|----------|-------------------------|--|------|
| 1 | FA0166990 | 1/2"-13 GRADE F ZINC FLANGE TOP LOCK NUT | 8 |
| 2 | FA13015 | 1/4"-20 x 3" GRADE 5 ZINC HEX CAP SCREW | 2 |
| 3 | FA15214 | 1/2"-13 x 2-3/4" GRADE 8 YELLOW ZINC HEX CAP SCREW | 4 |
| 4 | FA15223 | 1/2"-13 x 5" GRADE 8 YELLOW ZINC HEX CAP SCREW | 4 |
| 5 | FA15467 | 1"-8 x 3.5" GRADE 8 YELLOW ZINC HEX CAP SCREW | 4 |
| 6 | FA15478 | 1"-8 x 7.5" GRADE 8 YELLOW ZINC HEX CAP SCREW | 2 |
| 7 | FA15479 | 1"-8 x 8" GRADE 8 YELLOW ZINC HEX CAP SCREW | 2 |
| 8 | FA15480 | 1"-8 x 8-1/2" GRADE 8 YELLOW ZINC HEX CAP SCREW | 2 |
| 9 | FA36420 | 1"-8 GRADE 8 YELLOW ZINC HEX NUT | 10 |
| 10 | HDPB-01-0001 | ASSY, HD POLE BASE DOUBLE | 1 |
| 11 | FA91000820(C) | 18" x 9" x 2" M-SHAPED BUMPER | 2 |
| 12 | HDPC-01-0002-L | WELDMENT, LEFT UPPER JAW | 1 |
| 13 | HDPC-01-0002-R | WELDMENT, RIGHT UPPER JAW | 1 |
| 14 | HDPC-01-0003 | WELDMENT, LOWER JAW | 1 |
| 15 | MEDIUM UPPER INSERT | MEDIUM UPPER INSERT | 2 |
| 16 | P-MP-EZS0011 | 4 x 12.5 x 1.75 CYLINDER | 2 |
| 17 | P-MP-EZS0022 | 3 x 6 x 1.25 CYLINDER WITH PILOT CHECK VALVE | 2 |
| 18 | P-ST-801304010 | 3/4" FLUSH FACE COUPLER FEMALE | 1 |
| 19 | P-ST-805204005 | 3/4" FLUSH FACE COUPLER MALE | 1 |
| 20 | RS-00-0001 rubber strip | BOLT STRIP FOR RUBBER BUMPERS | 4 |

UNLESS OTHERWISE SPECIFIED:

DIMENSIONS ARE IN INCHES
TOLERANCES:
FRACTIONAL ±
ANGULAR: MACH ± BEND ±
TWO PLACE DECIMAL ±
THREE PLACE DECIMAL ±

INTERPRET GEOMETRIC
TOLERANCING PER:

MATERIAL

FINISH

DO NOT SCALE DRAWING

| | NAME | DATE |
|-----------|-------|----------|
| DRAWN | BEVAN | 5/1/2014 |
| CHECKED | | |
| ENG APPR. | | |
| MFG APPR. | | |
| Q.A. | | |
| COMMENTS: | | |

EZ-SPOT-UR

TITLE:

HEAVY DUTY POLE CLAW
WITH MEDIUM INSERT IN
UPPER JAW

SIZE **A** DWG. NO. HDPC-01-0017-D - HDPC
WITH MEDIUM UPPER INSERT

REV **D**

SCALE: 1:15 WEIGHT: 1196.78 LBS SHEET 1 OF 1

PROPRIETARY AND CONFIDENTIAL

THE INFORMATION CONTAINED IN THIS
DRAWING IS THE SOLE PROPERTY OF
EZ-SPOT-UR. ANY REPRODUCTION IN PART
OR AS A WHOLE WITHOUT THE WRITTEN
PERMISSION OF EZ-SPOT-UR IS PROHIBITED.

NEXT ASSY

USED ON

APPLICATION