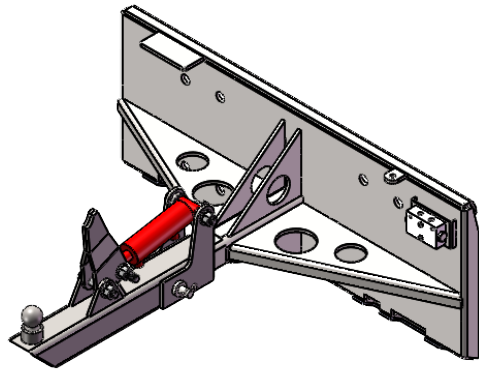
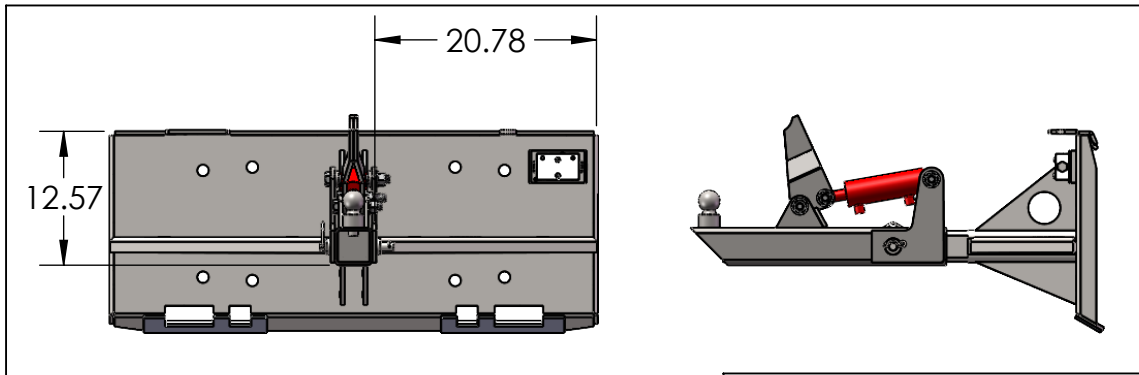
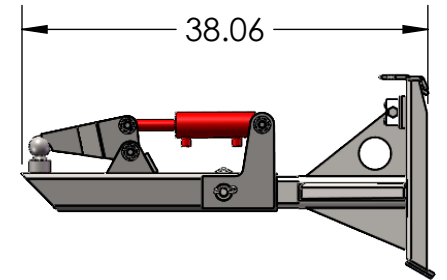
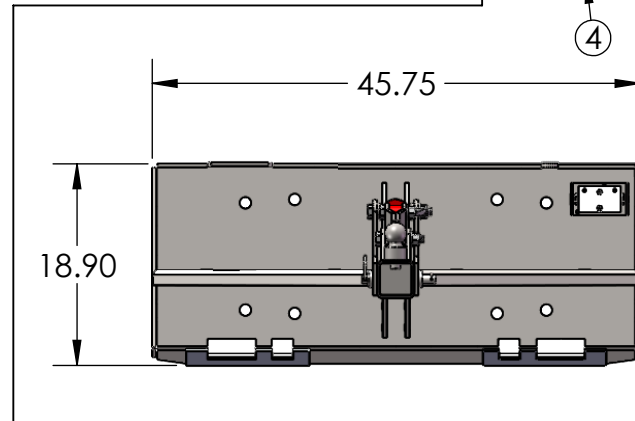
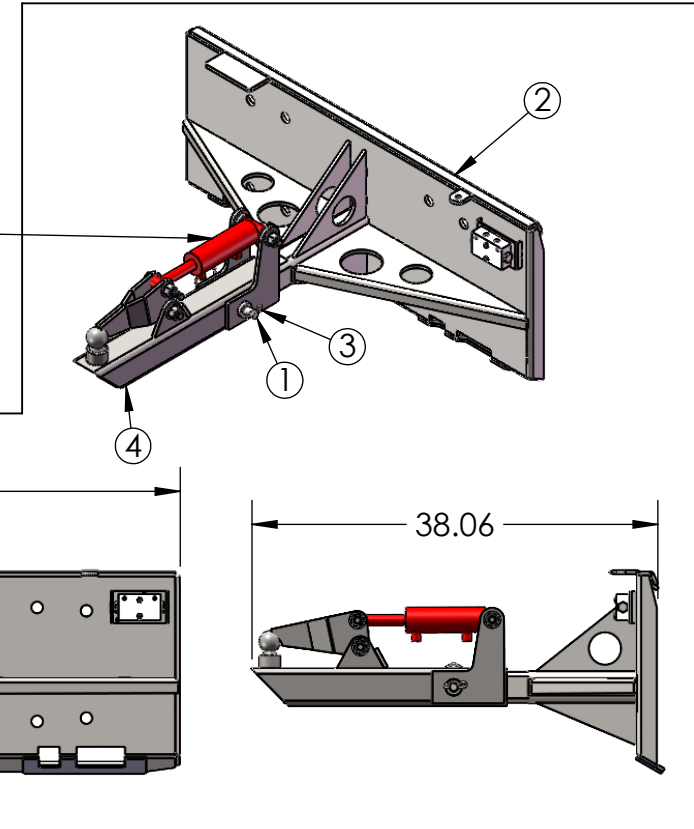


ITEM NO.	PART NUMBER	DESCRIPTION	QTY.
1	FA11197-01206	3/4" DIA 6-1/4"L STEEL HITCH PIN	1
2	FB-01-0001	WELDMENT, FIXED BASE	1
3	HDW-00-0035	COTTER PIN FOR 3/4" PIN	1
4	HT-01-0001	HITCH TOOL ASSEMBLY	1



2" BORE x 3.5" STROKE
9,425 LB PUSH
7,069 LB PULL



REVISIONS			
REV.	DESCRIPTION	DATE	APPROVED
A	ADDED THE HITCH PIN	12/11/2019	BEVAN
B	ADDED THE CYLINDER INFORMATION	9/13/2021	BEVAN

PROPRIETARY AND CONFIDENTIAL

THE INFORMATION CONTAINED IN THIS DRAWING IS THE SOLE PROPERTY OF EZ-SPOT-UR. ANY REPRODUCTION IN PART OR AS A WHOLE WITHOUT THE WRITTEN PERMISSION OF EZ-SPOT-UR IS PROHIBITED.

NEXT ASSY	USED ON
APPLICATION	

UNLESS OTHERWISE SPECIFIED:

DIMENSIONS ARE IN INCHES
TOLERANCES:
FRACTIONAL ±
ANGULAR: MACH ± BEND ±
TWO PLACE DECIMAL ±
THREE PLACE DECIMAL ±

INTERPRET GEOMETRIC TOLERANCING PER:

MATERIAL

FINISH

DO NOT SCALE DRAWING

	NAME	DATE
DRAWN	BEVAN	12-3-12
CHECKED		
ENG APPR.		
MFG APPR.		
Q.A.		
COMMENTS:		

EZ-SPOT-UR

TITLE:
**HITCH TOOL ON
FIXED BASE**

SIZE A	DWG. NO. HT-01-0006 - HITCH TOOL ON FIXED BASE	REV B
------------------	--	-----------------

SCALE: 1:18 WT: 226.20 LBS SHEET 1 OF 1