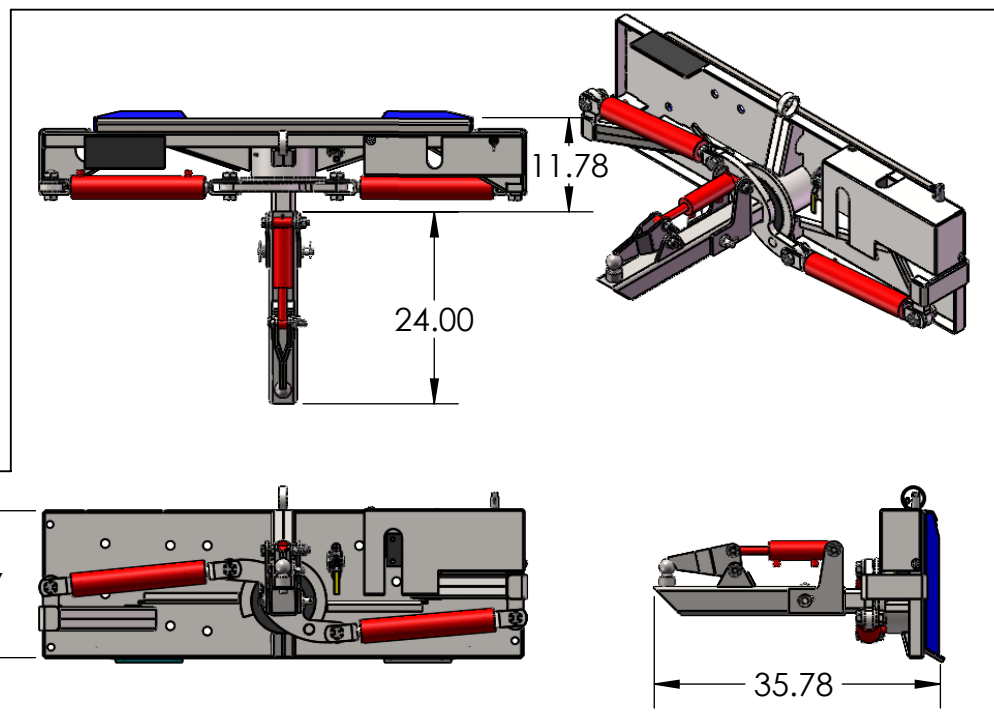


2.5" BORE x 12.5" STROKE
 14,726 LB PUSH
 11,045 LB PULL

2" BORE x 3.5" STROKE
 9,425 LB PUSH
 7,069 LB PULL



ROTATES 127° TO OPERATOR'S LEFT
 WEIGHT= 480 LBS

REVISIONS			
REV.	DESCRIPTION	DATE	APPROVED
A	ADDED CYLINDER INFORMATION	9/13/2021	BEVAN

PROPRIETARY AND CONFIDENTIAL

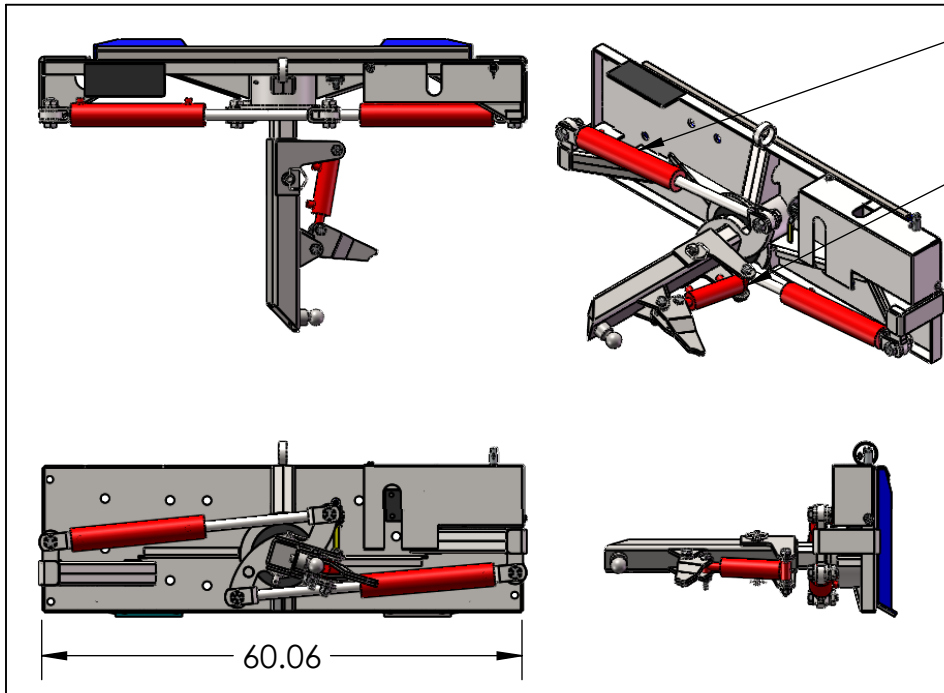
THE INFORMATION CONTAINED IN THIS DRAWING IS THE SOLE PROPERTY OF EZ-SPOT-UR. ANY REPRODUCTION IN PART OR AS A WHOLE WITHOUT THE WRITTEN PERMISSION OF EZ-SPOT-UR IS PROHIBITED.

NEXT ASSY	USED ON
APPLICATION	

UNLESS OTHERWISE SPECIFIED:
DIMENSIONS ARE IN INCHES
TOLERANCES:
FRACTIONAL ±
ANGULAR: MACH ± BEND ±
TWO PLACE DECIMAL ±
THREE PLACE DECIMAL ±
INTERPRET GEOMETRIC TOLERANCING PER:
MATERIAL
FINISH
DO NOT SCALE DRAWING

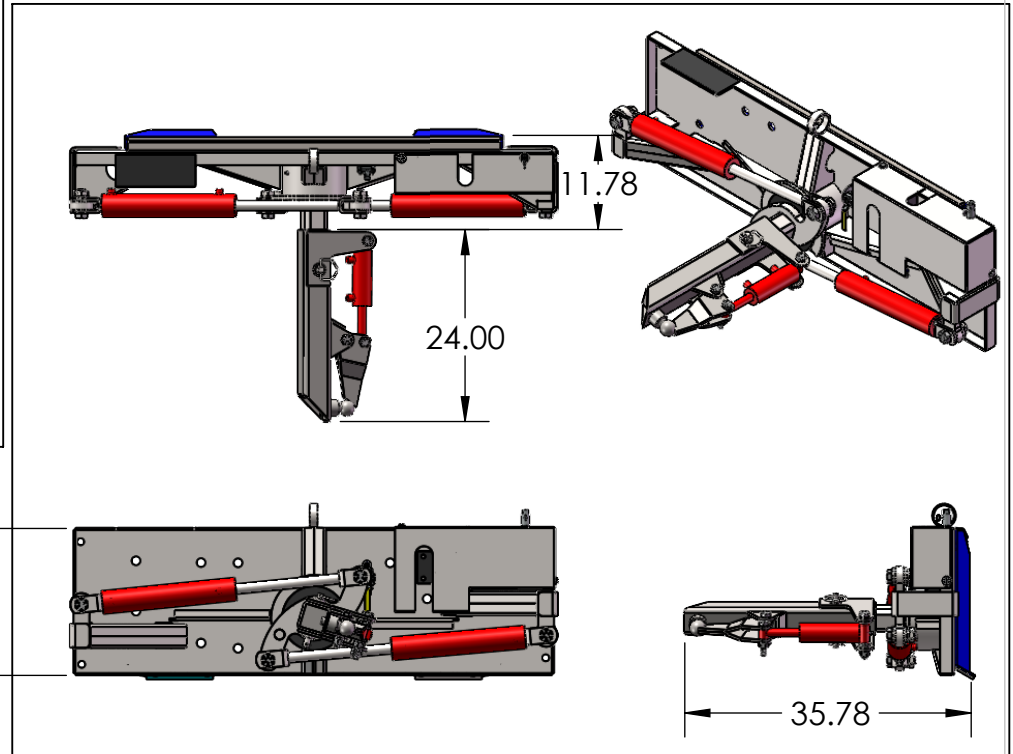
NAME	DATE
BEVAN	12-4-12
DRAWN	
CHECKED	
ENG APPR.	
MFG APPR.	
Q.A.	
COMMENTS:	

EZ-SPOT-UR		
TITLE:		
HITCH TOOL ON STANDARD BASE		
SIZE	DWG. NO.	REV
A	HT-01-0007 - HITCH TOOL ON STANDARD BASE	A
SCALE: 1:24	WT: 480.55 LBS	SHEET 1 OF 2



2.5" BORE x 12.5" STROKE
 14,726 LB PUSH
 11,045 LB PULL

2" BORE x 3.5" STROKE
 9,425 LB PUSH
 7,069 LB PULL



18.37

PROPRIETARY AND CONFIDENTIAL

THE INFORMATION CONTAINED IN THIS DRAWING IS THE SOLE PROPERTY OF EZ-SPOT-UR. ANY REPRODUCTION IN PART OR AS A WHOLE WITHOUT THE WRITTEN PERMISSION OF EZ-SPOT-UR IS PROHIBITED.

		UNLESS OTHERWISE SPECIFIED:		NAME	DATE
		DIMENSIONS ARE IN INCHES	DRAWN	BEVAN	12-4-12
		TOLERANCES:	CHECKED		
		FRACTIONAL ±	ENG APPR.		
		ANGULAR: MACH ± BEND ±	MFG APPR.		
		TWO PLACE DECIMAL ±	Q.A.		
		THREE PLACE DECIMAL ±	COMMENTS:		
		INTERPRET GEOMETRIC TOLERANCING PER:			
		MATERIAL			
		FINISH			
NEXT ASSY	USED ON				
APPLICATION		DO NOT SCALE DRAWING			

EZ-SPOT-UR

TITLE:

HITCH TOOL ON STANDARD BASE

SIZE	DWG. NO.	REV
A	HT-01-0007 - HITCH TOOL ON STANDARD BASE	A
SCALE: 1:24	WT: 480.55 LBS	SHEET 2 OF 2