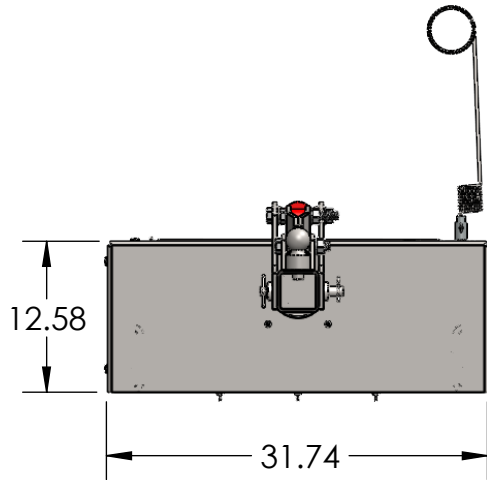
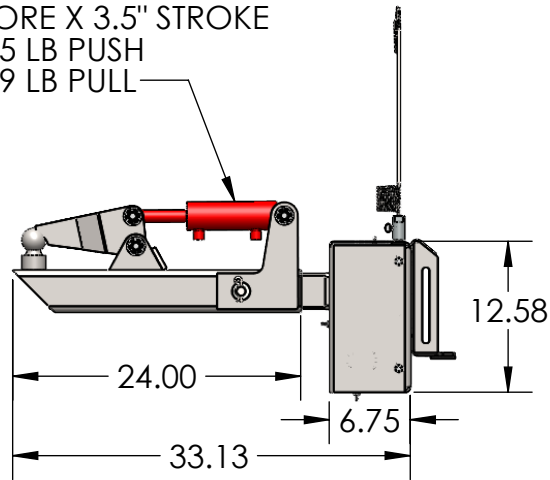


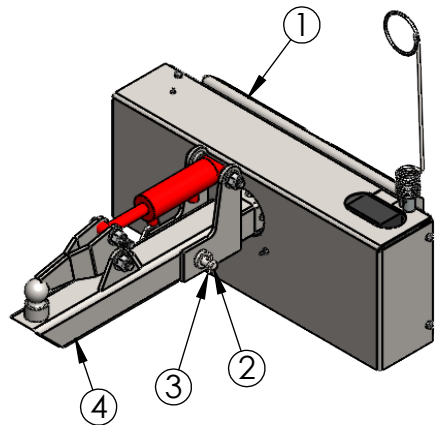
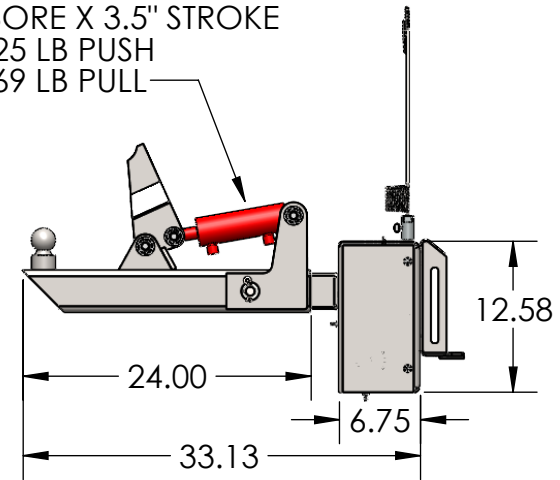
ITEM NO.	PART NUMBER	DESCRIPTION	QTY.
1	CU-01-0003	COMPACT UTILITY ASSEMBLY	1
2	FA11197-01206	3/4" DIA 6-1/4"L STEEL HITCH PIN	1
3	HDW-00-0035	COTTER PIN FOR 3/4" PIN	1
4	HT-01-0001	HITCH TOOL ASSEMBLY	1



2" BORE X 3.5" STROKE
9,425 LB PUSH
7,069 LB PULL



2" BORE X 3.5" STROKE
9,425 LB PUSH
7,069 LB PULL



ROTATES 200°
WEIGHT = 237 LBS.

UNLESS OTHERWISE SPECIFIED:		NAME	DATE
DIMENSIONS ARE IN INCHES		DRAWN	BEVAN 9/13/2021
TOLERANCES:		CHECKED	
FRACTIONAL ±		ENG APPR.	
ANGULAR: MACH ± BEND ±		MFG APPR.	
TWO PLACE DECIMAL ±		Q.A.	
THREE PLACE DECIMAL ±		COMMENTS:	
INTERPRET GEOMETRIC TOLERANCING PER:			
MATERIAL			
FINISH			
NEXT ASSY	USED ON		
APPLICATION			
DO NOT SCALE DRAWING			

EZ-SPOT-UR

TITLE:
COMPACT UTILITY ROTATOR WITH THE HITCH TOOL

SIZE DWG. NO. REV
A HT-01-0008 - HITCH TOOL ON WALK BEHIND BASE

SCALE: 1:16 WEIGHT: 237.11 LBS SHEET 1 OF 1

PROPRIETARY AND CONFIDENTIAL

THE INFORMATION CONTAINED IN THIS DRAWING IS THE SOLE PROPERTY OF EZ-SPOT-UR. ANY REPRODUCTION IN PART OR AS A WHOLE WITHOUT THE WRITTEN PERMISSION OF EZ-SPOT-UR IS PROHIBITED.