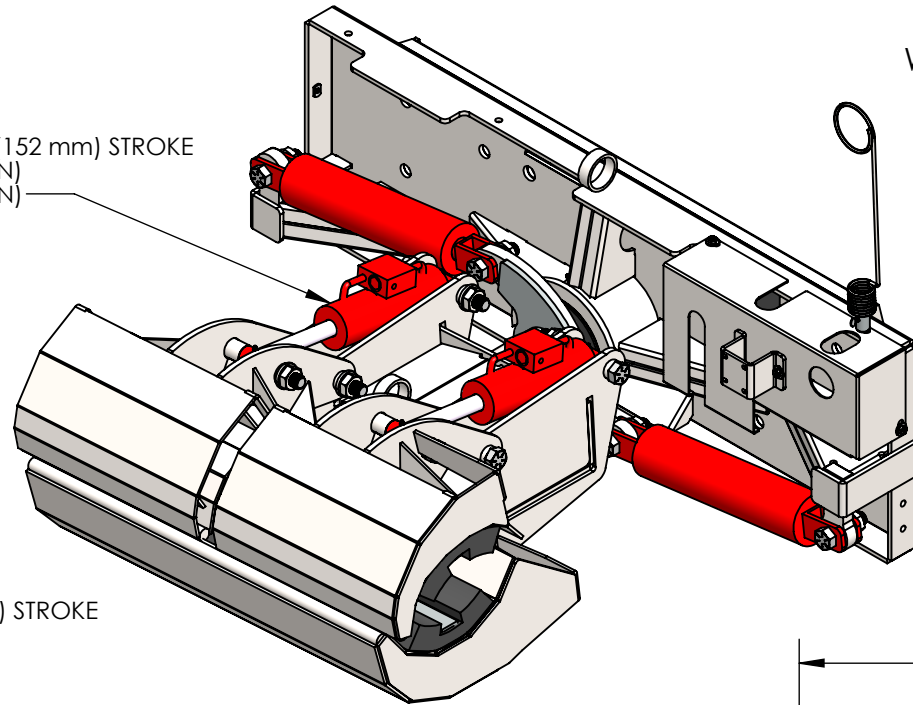
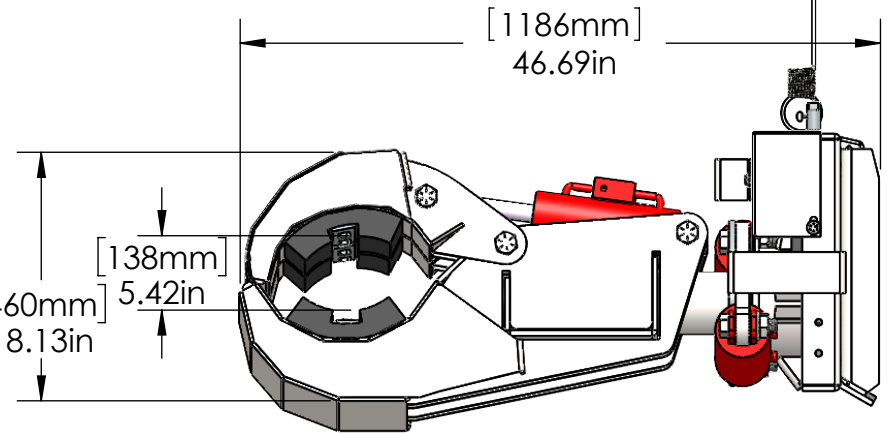
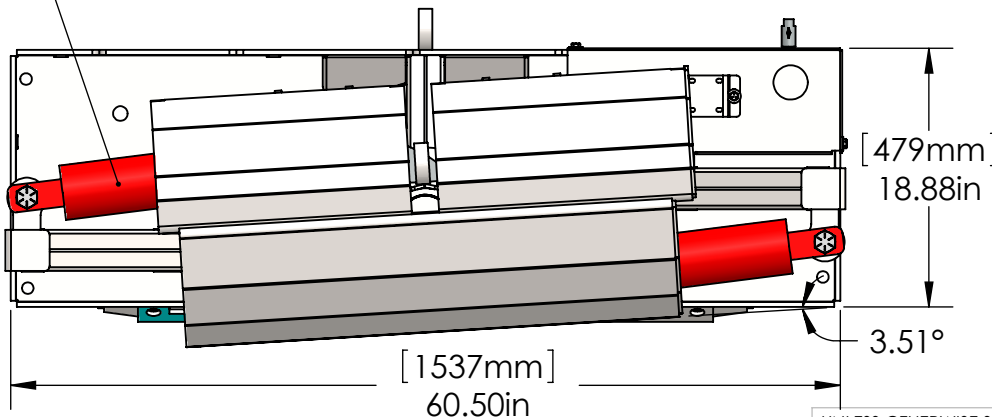


WEIGHT = 1400 lbs (635 kg)

CYLINDER
3" (76 mm) BORE X 6" (152 mm) STROKE
PUSH: 21206 LB (94.3 kN)
PULL: 17524 LB (78.0 kN)



CYLINDER
4" (102 mm) BORE X 12.5" (318 mm) STROKE
PUSH: 37699 LB (167.7 kN)
PULL: 30483 LB (135.6 kN)



REV.	DESCRIPTION	DATE	APPROVED
E	ADDED OUTSIDE DIMENSION FOR JAWS	12/16/2020	BEVAN
D	UPDATED THE CYLINDER PART NUMBERS	3/6/2019	BEVAN
C	UPDATED THE NUTS AND BOLTS	5/31/2018	BEVAN
B	UPDATED CYLINDER INFORMATION	10/6/2017	BEVAN
A	UPDATED CYLINDER INFORMATION	4/4/2013	BEVAN

UNLESS OTHERWISE SPECIFIED:

DIMENSIONS ARE IN INCHES
TOLERANCES:
FRACTIONAL ±
ANGULAR: MACH ± BEND ±
TWO PLACE DECIMAL ±
THREE PLACE DECIMAL ±

INTERPRET GEOMETRIC TOLERANCING PER:

MATERIAL

FINISH

DO NOT SCALE DRAWING

NAME DATE
TIM R. 4-29-2010

DRAWN
CHECKED
ENG APPR.
MFG APPR.

Q.A.
COMMENTS:

EZ-SPOT-UR

TITLE:

**ASSY, HEAVY DUTY
POLE CLAW**

SIZE DWG. NO. REV
A HDPC-01-0006CLOSED **E**

SCALE: 1:14 WT: 1400 LBS SHEET 1 OF 1

PROPRIETARY AND CONFIDENTIAL
THE INFORMATION CONTAINED IN THIS DRAWING IS THE SOLE PROPERTY OF EZ-SPOT-UR. ANY REPRODUCTION IN PART OR AS A WHOLE WITHOUT THE WRITTEN PERMISSION OF EZ-SPOT-UR IS PROHIBITED.

NEXT ASSY

USED ON

APPLICATION