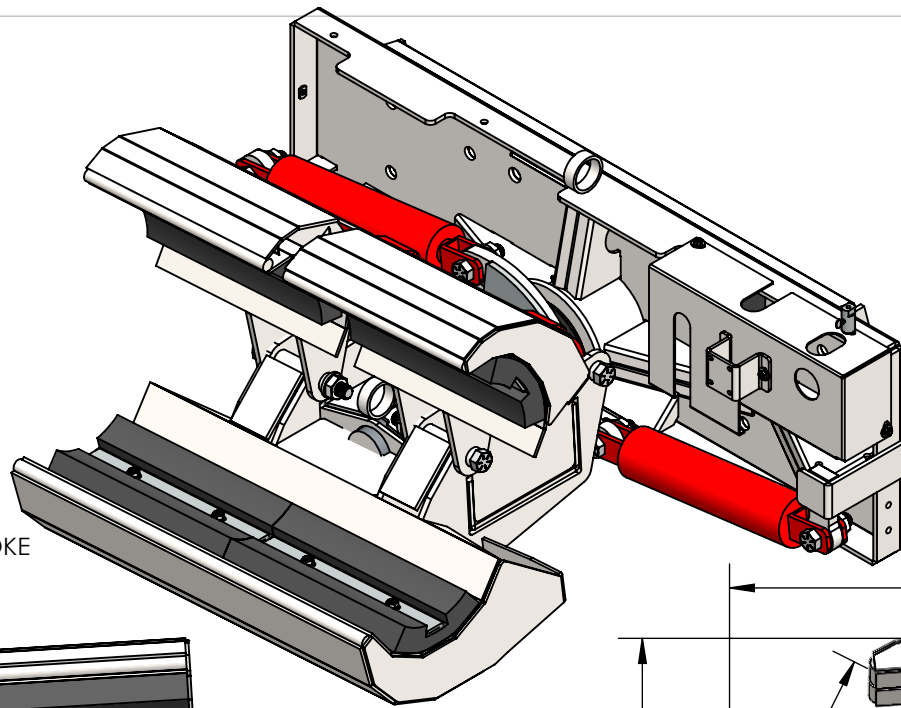
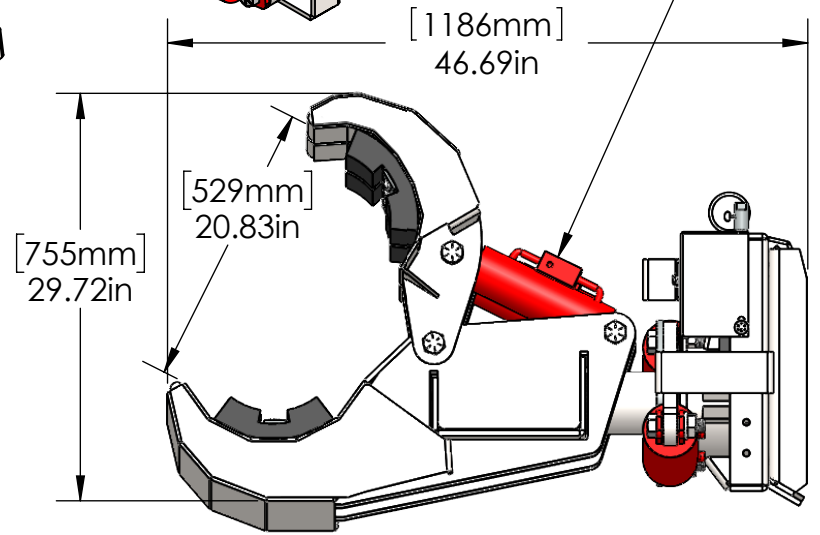
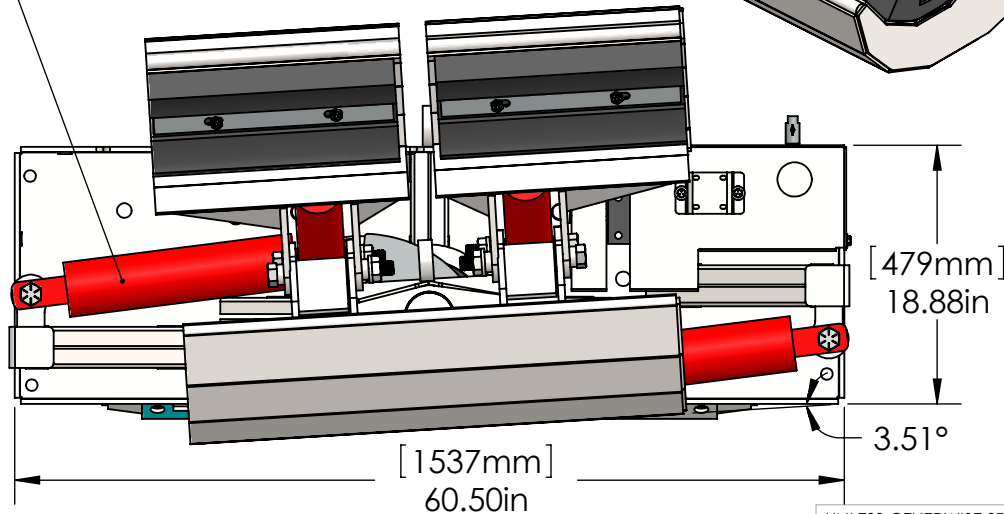


WEIGHT = 1400 lbs (635 kg)



CYLINDER
3" (76 mm) BORE X 6" (152 mm) STROKE
PUSH: 21206 LB (94.3 kN)
PULL: 17524 LB (78 kN)

CYLINDER
4" (102 mm) BORE X 12.5" (318 mm) STROKE
PUSH: 37699 LB (167.7 kN)
PULL: 30483 LB (135.6 kN)



UNLESS OTHERWISE SPECIFIED:

DIMENSIONS ARE IN INCHES
TOLERANCES:
FRACTIONAL ±
ANGULAR: MACH ± BEND ±
TWO PLACE DECIMAL ±
THREE PLACE DECIMAL ±

INTERPRET GEOMETRIC
TOLERANCING PER:

MATERIAL

FINISH

DO NOT SCALE DRAWING

NAME	DATE
TIM R.	4-29-2010

DRAWN
CHECKED
ENG APPR.
MFG APPR.

Q.A.
COMMENTS:

EZ-SPOT-UR

TITLE:

**ASSY, HEAVY DUTY
POLE CLAW**

SIZE A	DWG. NO. HDPC-01-0006OPEN	REV D
------------------	------------------------------	-----------------

SCALE: 1:14 WT: 1400 LBS SHEET 1 OF 1

REV.	DESCRIPTION	DATE	APPROVED
D	UPDATED THE CYLINDER PART NUMBERS	3/6/2019	BEVAN
C	UPDATED THE NUTS AND BOLTS	5/31/2018	BEVAN
B	UPDATED CYLINDER INFORMATION	10/6/2017	BEVAN
A	UPDATED CYLINDER INFORMATION	4/4/2013	BEVAN
REV.	DESCRIPTION	DATE	APPROVED

REVISIONS

PROPRIETARY AND CONFIDENTIAL

THE INFORMATION CONTAINED IN THIS DRAWING IS THE SOLE PROPERTY OF EZ-SPOT-UR. ANY REPRODUCTION IN PART OR AS A WHOLE WITHOUT THE WRITTEN PERMISSION OF EZ-SPOT-UR IS PROHIBITED.

NEXT ASSY

USED ON

APPLICATION