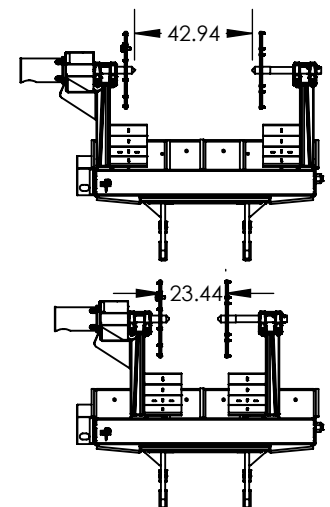
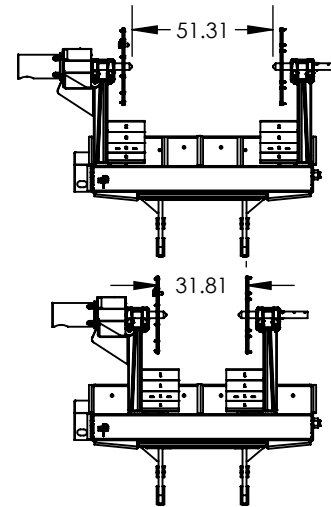
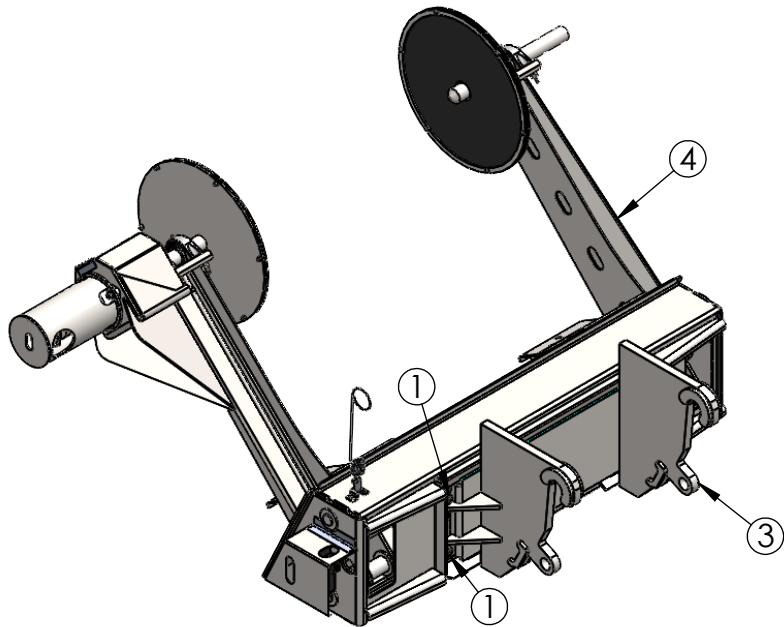
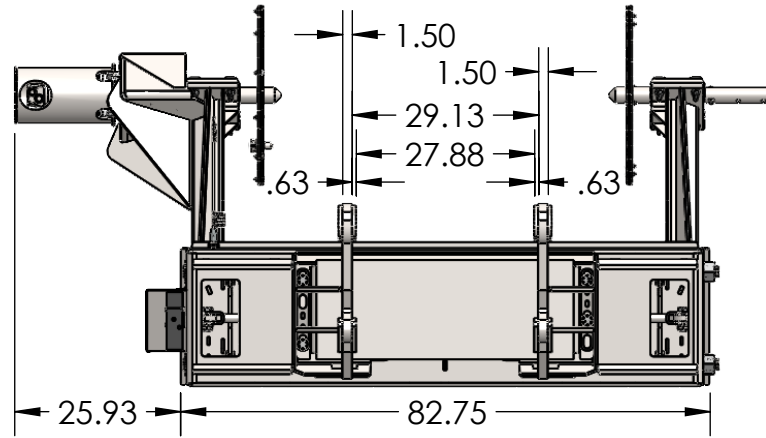
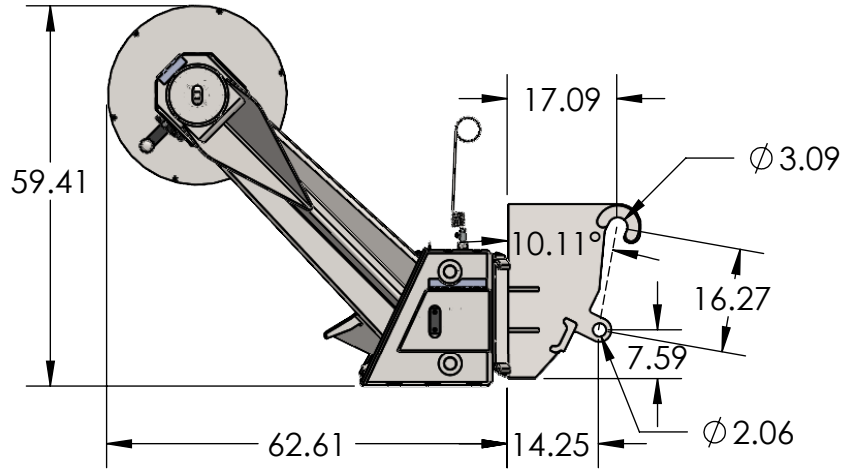


ITEM NO.	PART NUMBER	DESCRIPTION	QTY.
1	FA15465	1"-8 x 3" GRADE 8 YELLOW ZINC HEX CAP SCREW	4
2	FA0166995	1"-8 GRADE F ZINC FINISH STEEL FLANGE TOP LOCK NUT	4
3	JD-01-0130	JOHN DEERE 544 MOUNT ON BUMP OUT PLATE	1
4	TUR-01-029	SPOOL REEL ASSEMBLY WITH PLANETARY DRIVE	1



UNLESS OTHERWISE SPECIFIED:

DIMENSIONS ARE IN INCHES
 TOLERANCES:
 FRACTIONAL \pm
 ANGULAR: MACH \pm BEND \pm
 TWO PLACE DECIMAL \pm
 THREE PLACE DECIMAL \pm

INTERPRET GEOMETRIC
 TOLERANCING PER:

MATERIAL

FINISH

DO NOT SCALE DRAWING

	NAME	DATE
DRAWN	BEVAN	8/25/2021
CHECKED		
ENG APPR.		
MFG APPR.		
Q.A.		
COMMENTS:		

EZ-SPOT-UR

TITLE:

JOHN DEERE 544 MOUNT
 WITH THE WIRE REEL

SIZE	DWG. NO.	REV
A	JD-01-0253 - 544 MOUNT WITH THE WIRE REEL	

SCALE: 1:30 WEIGHT: 2413.16 LBS SHEET 1 OF 1

PROPRIETARY AND CONFIDENTIAL

THE INFORMATION CONTAINED IN THIS
 DRAWING IS THE SOLE PROPERTY OF
 EZ-SPOT-UR. ANY REPRODUCTION IN PART
 OR AS A WHOLE WITHOUT THE WRITTEN
 PERMISSION OF EZ-SPOT-UR IS PROHIBITED.

NEXT ASSY	USED ON	APPLICATION