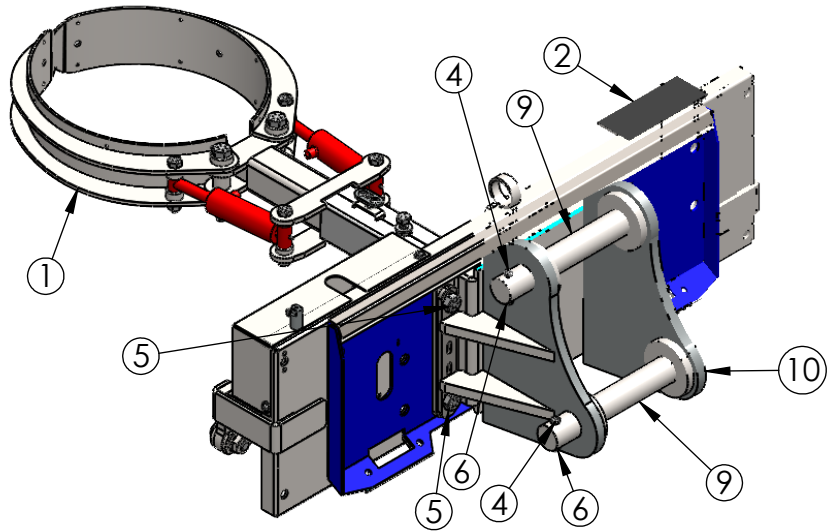
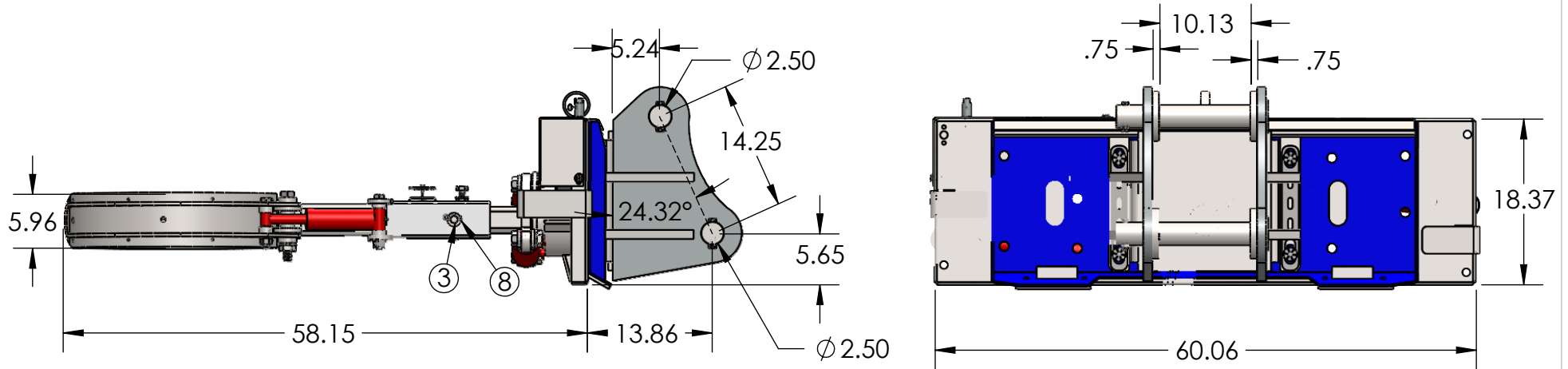


ITEM NO.	PART NUMBER	DESCRIPTION	QTY.
1	CS-01-0003	ASSY, 55 GALLON BARREL HANDLER	1
2	EZ-01-0001	STANDARD BASE	1
3	FA11197-01206	3/4" DIA 6-1/4"L STEEL HITCH PIN	1
4	FA15215	1/2"-13 x 3" GRADE 8 YELLOW ZINC HEX CAP SCREW	2
5	FA15465	1"-8 x 3" GRADE 8 YELLOW ZINC HEX CAP SCREW	4
6	FA0166990	1/2"-13 GRADE F ZINC FLANGE TOP LOCK NUT	2
7	FA0166995	1"-8 GRADE F ZINC FINISH STEEL FLANGE TOP LOCK NUT	4
8	HDW-00-0035	COTTER PIN FOR 3/4" PIN	1
9	JD120-01-0006	PIN WELDMENT	2
10	JD135-01-003	JOHN DEERE 135 MOUNT ON SMALL BUMP-OUT PLATE	1



UNLESS OTHERWISE SPECIFIED:		NAME	DATE
DIMENSIONS ARE IN INCHES		DRAWN	BEVAN 8/18/2021
TOLERANCES:		CHECKED	
FRACTIONAL ±		ENG APPR.	
ANGULAR: MACH ± BEND ±		MFG APPR.	
TWO PLACE DECIMAL ±		Q.A.	
THREE PLACE DECIMAL ±		COMMENTS:	
INTERPRET GEOMETRIC TOLERANCING PER:			
MATERIAL			
FINISH			
NEXT ASSY	USED ON		
APPLICATION			
DO NOT SCALE DRAWING			

EZ-SPOT-UR		
TITLE:		
JOHN DEERE 135 MOUNT ON STANDARD BASE		
SIZE	DWG. NO.	REV
<b>A</b>	JD135-01-002-E - 135 MOUNT ON STANDARD BASE WITH 55 GALLON BARREL HANDLER	
SCALE: 1:17	WEIGHT: 820.04 LBS	SHEET 1 OF 1

**PROPRIETARY AND CONFIDENTIAL**

THE INFORMATION CONTAINED IN THIS DRAWING IS THE SOLE PROPERTY OF EZ-SPOT-UR. ANY REPRODUCTION IN PART OR AS A WHOLE WITHOUT THE WRITTEN PERMISSION OF EZ-SPOT-UR IS PROHIBITED.