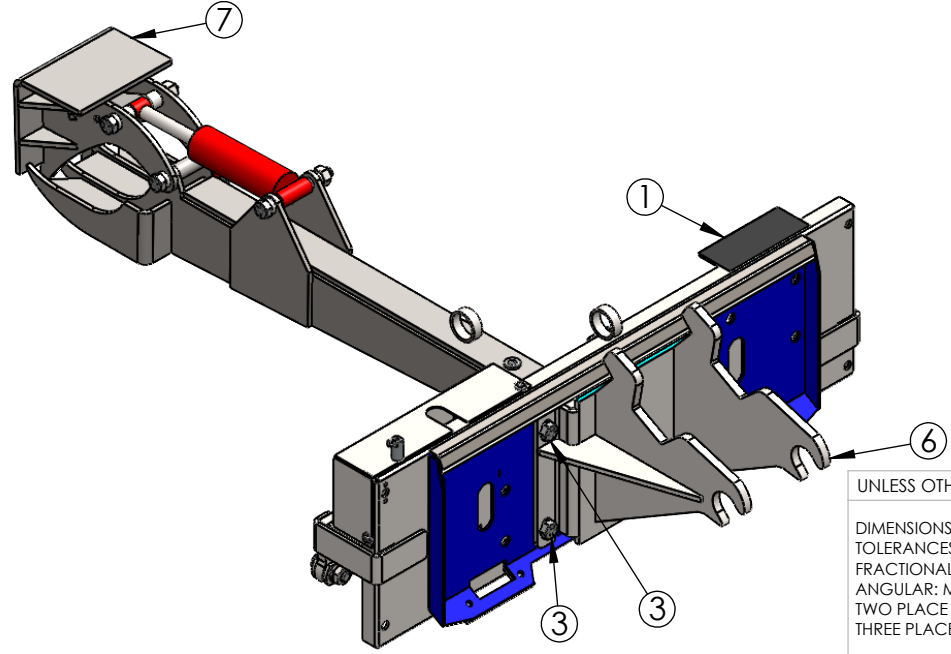
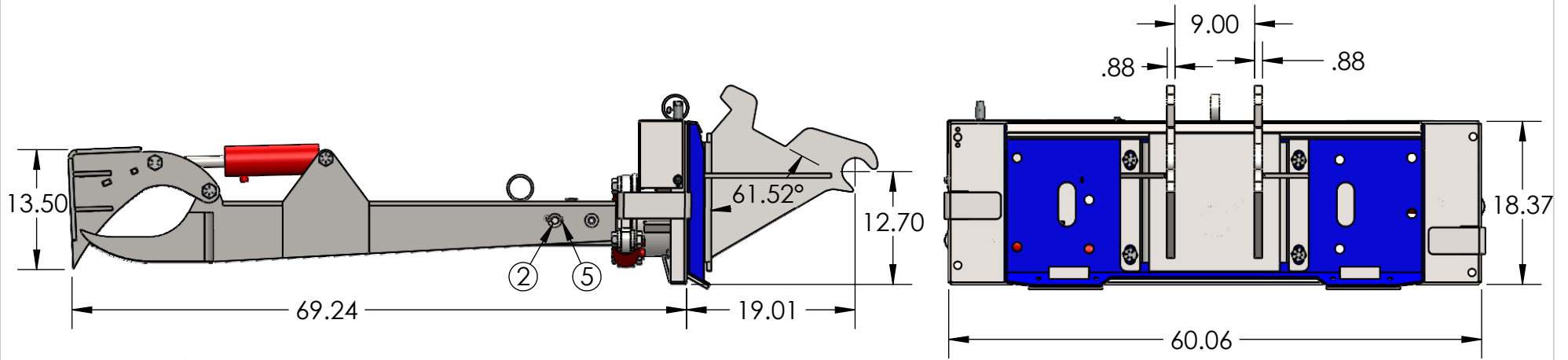


ITEM NO.	PART NUMBER	DESCRIPTION	QTY.
1	EZ-01-0001	STANDARD BASE	1
2	FA11197-01206	3/4" DIA 6-1/4"L STEEL HITCH PIN	1
3	FA15465	1"-8 x 3" GRADE 8 YELLOW ZINC HEX CAP SCREW	4
4	FA0166995	1"-8 GRADE F ZINC FINISH STEEL FLANGE TOP LOCK NUT	4
5	HDW-00-0035	COTTER PIN FOR 3/4" PIN	1
6	JD75-01-001	JOHN DEERE 75 MOUNT	1
7	RT-01-0001	RAIL TOOL ASSEMBLY	1



UNLESS OTHERWISE SPECIFIED:		NAME	DATE
DIMENSIONS ARE IN INCHES		DRAWN	BEVAN 9/10/2021
TOLERANCES:		CHECKED	
FRACTIONAL ±		ENG APPR.	
ANGULAR: MACH ± BEND ±		MFG APPR.	
TWO PLACE DECIMAL ±		Q.A.	
THREE PLACE DECIMAL ±		COMMENTS:	
INTERPRET GEOMETRIC TOLERANCING PER:			
MATERIAL			
FINISH			
NEXT ASSY	USED ON		
APPLICATION			
DO NOT SCALE DRAWING			

EZ-SPOT-UR		
TITLE:		
JOHN DEERE 75 WEDGE MOUNT ON STANDARD BASE		
SIZE	DWG. NO.	REV
A	JD75-01-007-E - JD 75 WEDGE MOUNT WITH RAIL TOOL	
SCALE: 1:17	WEIGHT: 915.35 LBS	SHEET 1 OF 1

PROPRIETARY AND CONFIDENTIAL
 THE INFORMATION CONTAINED IN THIS DRAWING IS THE SOLE PROPERTY OF EZ-SPOT-UR. ANY REPRODUCTION IN PART OR AS A WHOLE WITHOUT THE WRITTEN PERMISSION OF EZ-SPOT-UR IS PROHIBITED.