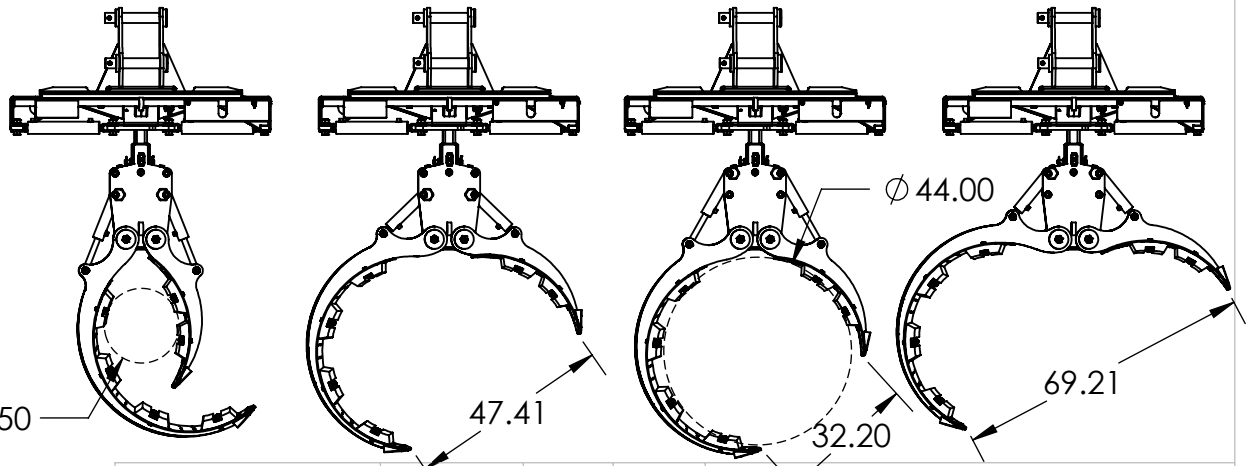
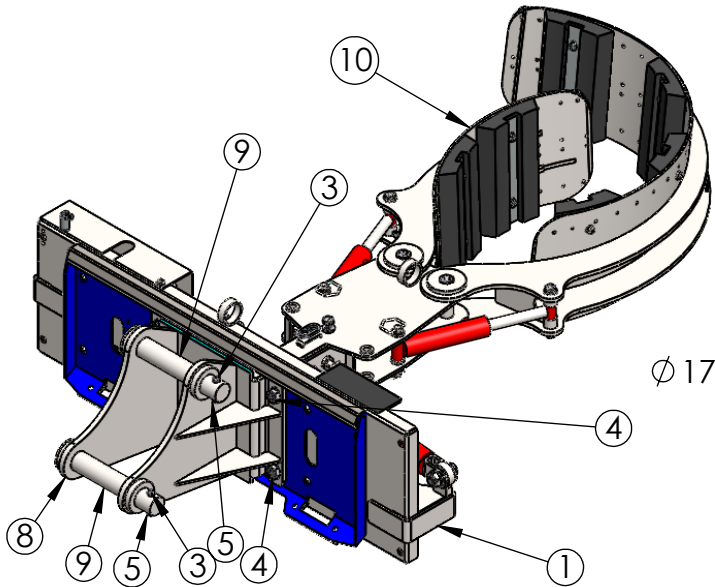
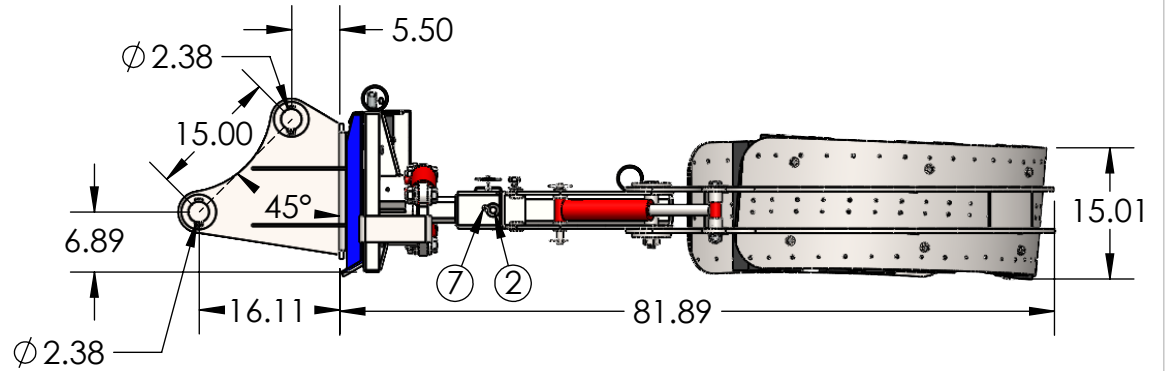
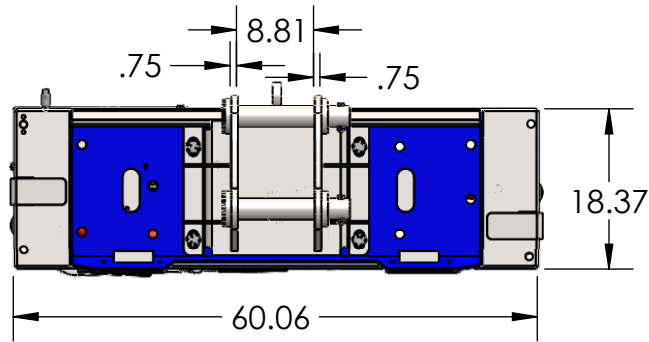


ITEM NO.	PART NUMBER	DESCRIPTION	QTY.
1	EZ-01-0001	STANDARD BASE	1
2	FA11197-01206	3/4" DIA 6-1/4"L STEEL HITCH PIN	1
3	FA15215	1/2"-13 x 3" GRADE 8 YELLOW ZINC HEX CAP SCREW	2
4	FA15465	1"-8 x 3" GRADE 8 YELLOW ZINC HEX CAP SCREW	4
5	FA0166990	1/2"-13 GRADE F ZINC FLANGE TOP LOCK NUT	2
6	FA0166995	1"-8 GRADE F ZINC FINISH STEEL FLANGE TOP LOCK NUT	4
7	HDW-00-0035	COTTER PIN FOR 3/4" PIN	1
8	JRB-01-002	JRB MOUNT FOR 2.375" PINS ON BUMP OUT PLATE	1
9	JRB-01-003	JRB 2-3/8" PIN WELDMENT	2
10	PH-01-0001	ASSY, POT HANDLER	1



UNLESS OTHERWISE SPECIFIED:

DIMENSIONS ARE IN INCHES
 TOLERANCES:
 FRACTIONAL ±
 ANGULAR: MACH ± BEND ±
 TWO PLACE DECIMAL ±
 THREE PLACE DECIMAL ±

INTERPRET GEOMETRIC
 TOLERANCING PER:

MATERIAL

FINISH

DO NOT SCALE DRAWING

	NAME	DATE
DRAWN	BEVAN	9/9/2021
CHECKED		
ENG APPR.		
MFG APPR.		
Q.A.		
COMMENTS:		

EZ-SPOT-UR

TITLE:

JRB MOUNT ON STANDARD
 BASE WITH 2.375" PINS

SIZE	DWG. NO.	REV
A	JRB-01-004-E - JRB MOUNT WITH 2.375" PINS ON STANDARD BASE WITH POT HANDLER	

SCALE: 1:22 WEIGHT: 1036.90 LBS SHEET 1 OF 1

PROPRIETARY AND CONFIDENTIAL

THE INFORMATION CONTAINED IN THIS
 DRAWING IS THE SOLE PROPERTY OF
 EZ-SPOT-UR. ANY REPRODUCTION IN PART
 OR AS A WHOLE WITHOUT THE WRITTEN
 PERMISSION OF EZ-SPOT-UR IS PROHIBITED.

NEXT ASSY

USED ON

APPLICATION

5

4

3

2

1