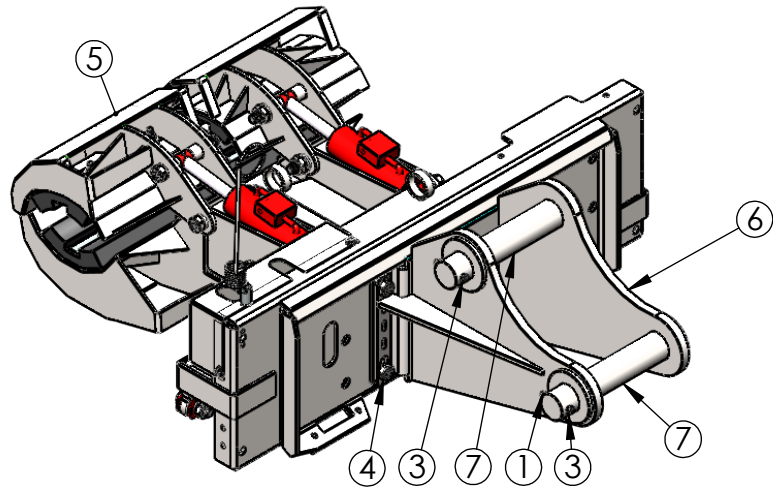
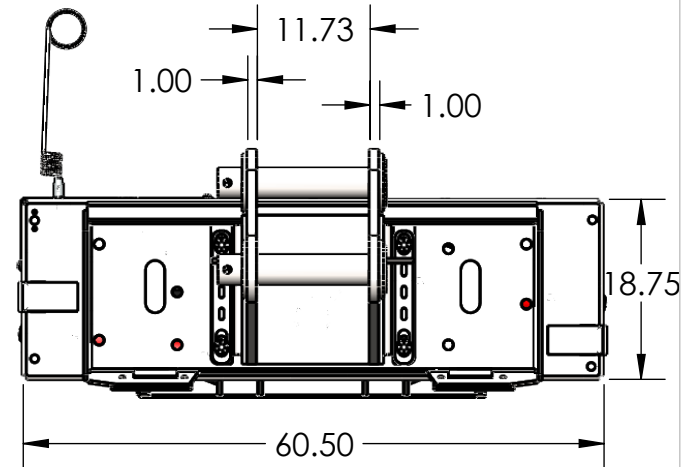
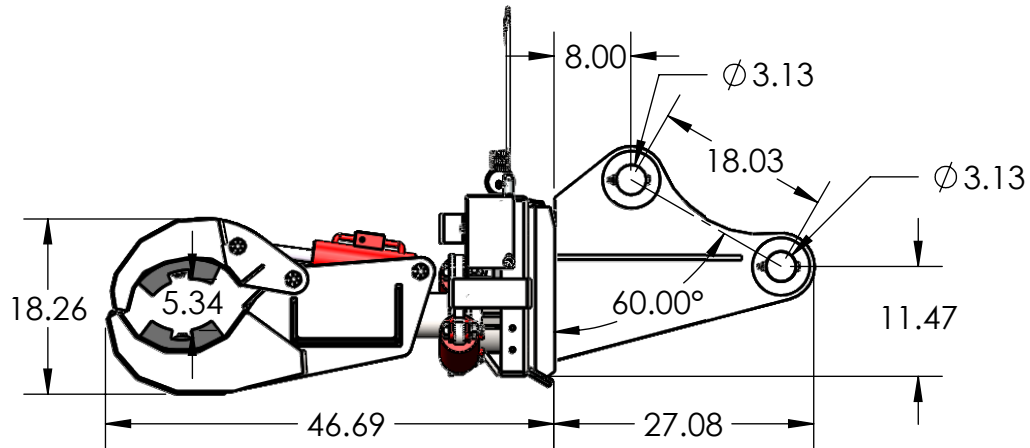


ITEM NO.	PART NUMBER	DESCRIPTION	QTY.
1	FA0166990	1/2"-13 GRADE F ZINC FLANGE TOP LOCK NUT	2
2	FA0166995	1"-8 GRADE F ZINC FINISH STEEL FLANGE TOP LOCK NUT	4
3	FA15219	1/2"-13 x 4" GRADE 8 YELLOW ZINC HEX CAP SCREW	2
4	FA15465	1"-8 x 3" GRADE 8 YELLOW ZINC HEX CAP SCREW	4
5	HDPC-01-0006	ASSY, HEAVY DUTY POLE CLAW	1
6	KOM-01-080	KOMATSU PC210 MOUNT ON BUMP OUT PLATE	1
7	KOM-01-081	KOMTAU PC210 PIN WELDMENT	2



UNLESS OTHERWISE SPECIFIED:

DIMENSIONS ARE IN INCHES
 TOLERANCES:
 FRACTIONAL ±
 ANGULAR: MACH ± BEND ±
 TWO PLACE DECIMAL ±
 THREE PLACE DECIMAL ±

INTERPRET GEOMETRIC
 TOLERANCING PER:

MATERIAL

FINISH

DO NOT SCALE DRAWING

	NAME	DATE
DRAWN	BEVAN	7/15/2019
CHECKED		
ENG APPR.		
MFG APPR.		
Q.A.		
COMMENTS:		

EZ-SPOT-UR

TITLE:

KOMATSU PC210 MOUNT
 ON THE HEAVY DUTY POLE
 SETTER

SIZE A	DWG. NO. KOM-01-082 - PC210 MOUNT ON HD POLE SETTER	REV
------------------	---	-----

SCALE: 1:20 WEIGHT: 1524.66 LBS SHEET 1 OF 1

PROPRIETARY AND CONFIDENTIAL

THE INFORMATION CONTAINED IN THIS
 DRAWING IS THE SOLE PROPERTY OF
 EZ-SPOT-UR. ANY REPRODUCTION IN PART
 OR AS A WHOLE WITHOUT THE WRITTEN
 PERMISSION OF EZ-SPOT-UR IS PROHIBITED.

NEXT ASSY

USED ON

APPLICATION

5

4

3

2

1