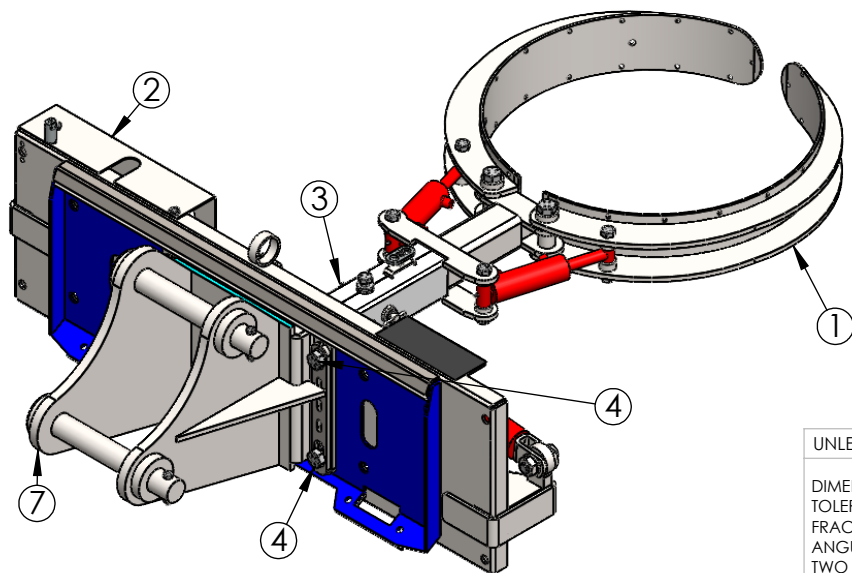
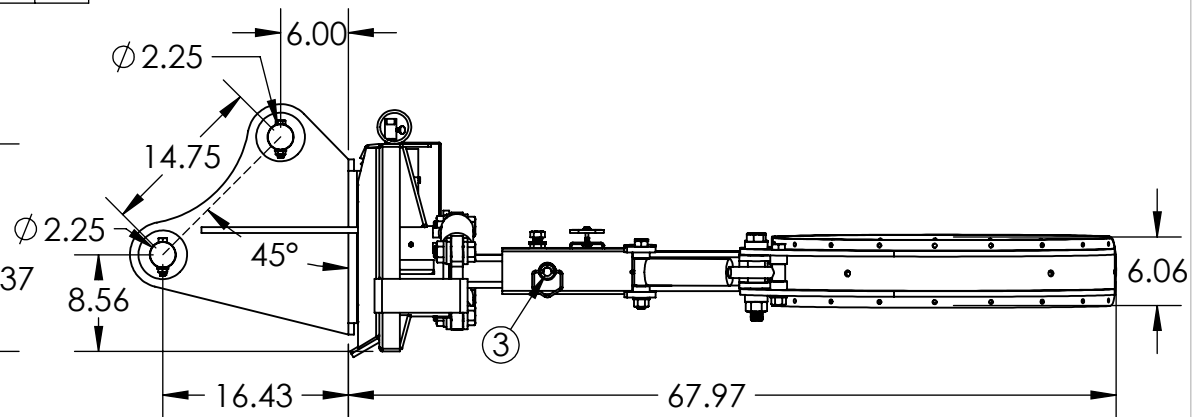
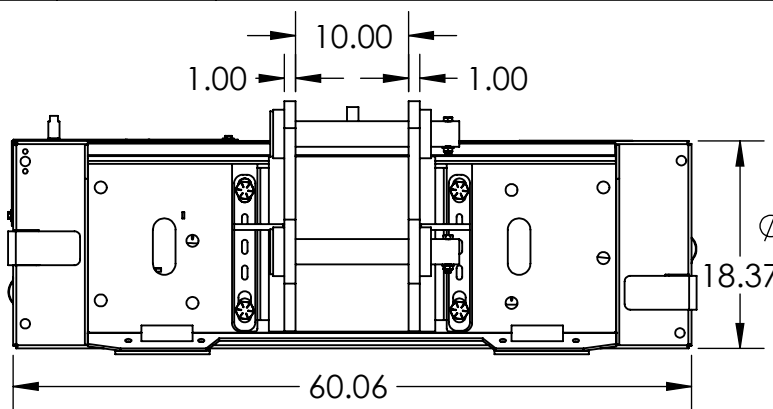


ITEM NO.	PART NUMBER	DESCRIPTION	QTY.
1	CS-01-0012	ASSY, 110 GALLON BARREL HANDLER	1
2	EZ-01-0001	STANDARD BASE	1
3	FA11197-01206	3/4" DIA 6-1/4"L STEEL HITCH PIN	1
4	FA15465	1"-8 x 3" GRADE 8 YELLOW ZINC HEX CAP SCREW	4
5	FA0166995	1"-8 GRADE F ZINC FINISH STEEL FLANGE TOP LOCK NUT	4
6	HDW-00-0035	COTTER PIN FOR 3/4" PIN	1
7	KOM-01-077	KOMATSU PC138 WITH PINS	1



UNLESS OTHERWISE SPECIFIED:

DIMENSIONS ARE IN INCHES
 TOLERANCES:
 FRACTIONAL ±
 ANGULAR: MACH ± BEND ±
 TWO PLACE DECIMAL ±
 THREE PLACE DECIMAL ±

INTERPRET GEOMETRIC
 TOLERANCING PER:

MATERIAL

FINISH

DO NOT SCALE DRAWING

	NAME	DATE
DRAWN	BEVAN	8/18/2021
CHECKED		
ENG APPR.		
MFG APPR.		
Q.A.		
COMMENTS:		

EZ-SPOT-UR

TITLE:

KOMATSU PC138 MOUNT
 ON STANDARD BASE

SIZE	DWG. NO.	REV
A	KOM-01-158-E - PC138 MOUNT ON STANDARD BASE WITH 110 GALLON BARREL HANDLER	

SCALE: 1:17 WEIGHT: 855.32 LBS SHEET 1 OF 1

PROPRIETARY AND CONFIDENTIAL

THE INFORMATION CONTAINED IN THIS
 DRAWING IS THE SOLE PROPERTY OF
 EZ-SPOT-UR. ANY REPRODUCTION IN PART
 OR AS A WHOLE WITHOUT THE WRITTEN
 PERMISSION OF EZ-SPOT-UR IS PROHIBITED.

NEXT ASSY	USED ON	APPLICATION