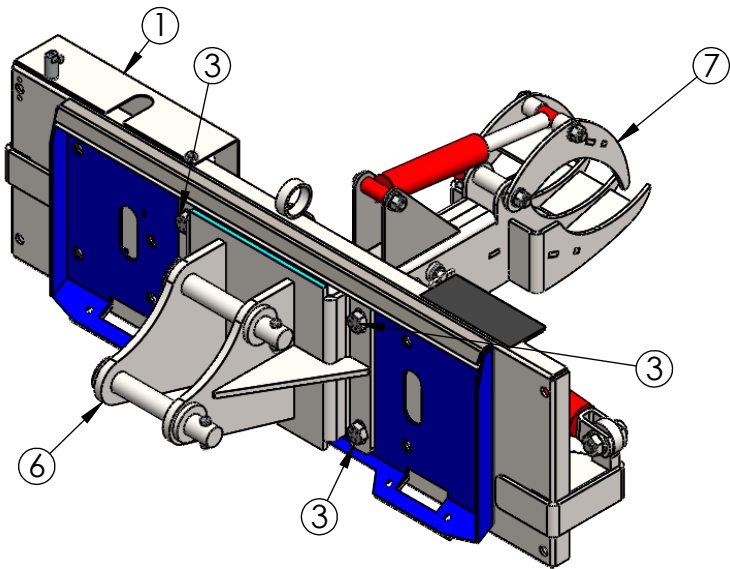
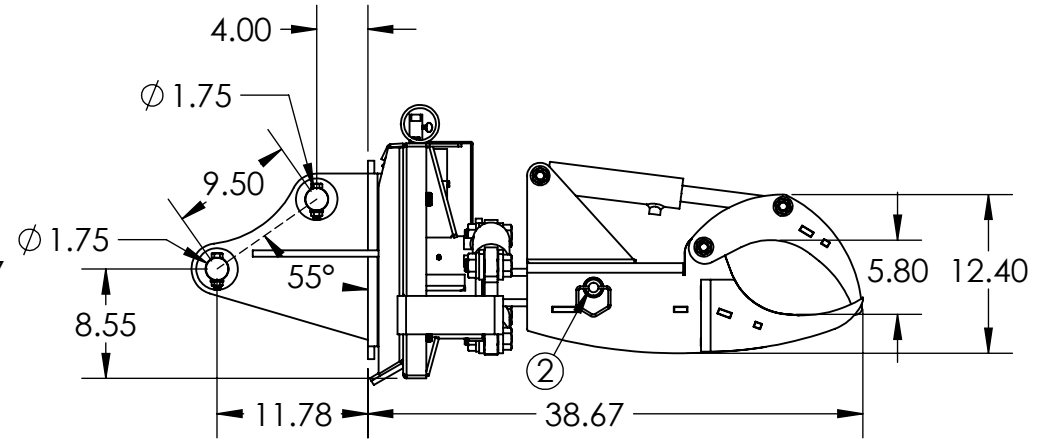
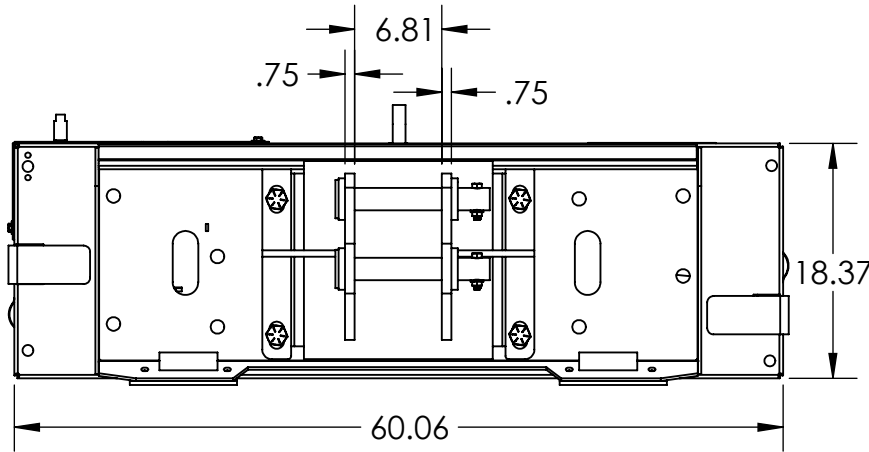


ITEM NO.	PART NUMBER	DESCRIPTION	QTY.
1	EZ-01-0001	STANDARD BASE	1
2	FA11197-01206	3/4" DIA 6-1/4"L STEEL HITCH PIN	1
3	FA15465	1"-8 x 3" GRADE 8 YELLOW ZINC HEX CAP SCREW	4
4	FA0166995	1"-8 GRADE F ZINC FINISH STEEL FLANGE TOP LOCK NUT	4
5	HDW-00-0035	COTTER PIN FOR 3/4" PIN	1
6	KOM-01-186	KOMATSU PC45 MOUNT ON BUMP OUT PLATE WITH PINS	1
7	RP-01-0003	POLE CLAW ASSEMBLY	1



UNLESS OTHERWISE SPECIFIED:		NAME	DATE
DIMENSIONS ARE IN INCHES TOLERANCES: FRACTIONAL ± ANGULAR: MACH ± BEND ± TWO PLACE DECIMAL ± THREE PLACE DECIMAL ±		DRAWN BEVAN	8/30/2021
INTERPRET GEOMETRIC TOLERANCING PER:		CHECKED	
MATERIAL		ENG APPR.	
FINISH		MFG APPR.	
NEXT ASSY		Q.A.	
USED ON		COMMENTS:	
APPLICATION			
DO NOT SCALE DRAWING			

EZ-SPOT-UR		
TITLE: KOMATSU PC45 MOUNT ON STANDARD BASE		
SIZE A	DWG. NO. KOM-01-187-E - PC45 MOUNT ON STANDARD BASE WITH ROCK & POLE CLAW	REV
SCALE: 1:15	WEIGHT: 656.52 LBS	SHEET 1 OF 1

PROPRIETARY AND CONFIDENTIAL
THE INFORMATION CONTAINED IN THIS DRAWING IS THE SOLE PROPERTY OF EZ-SPOT-UR. ANY REPRODUCTION IN PART OR AS A WHOLE WITHOUT THE WRITTEN PERMISSION OF EZ-SPOT-UR IS PROHIBITED.