

ROTATES 127° TO OPERATOR'S LEFT

WEIGHT= 845.24 LBS

UNLESS OTHERWISE SPECIFIED:

DIMENSIONS ARE IN INCHES
TOLERANCES:
FRACTIONAL ±
ANGULAR: MACH ± BEND ±
TWO PLACE DECIMAL ±
THREE PLACE DECIMAL ±

INTERPRET GEOMETRIC
TOLERANCING PER:

MATERIAL

FINISH

DO NOT SCALE DRAWING

	NAME	DATE
DRAWN	BEVAN	12-4-12
CHECKED		
ENG APPR.		
MFG APPR.		
Q.A.		
COMMENTS:		

EZ-SPOT-UR

TITLE:

**POT HANDLER ON
STANDARD BASE**

SIZE	DWG. NO.	REV
A	PH-01-0005 - POT HANDLER ON STANDARD BASE	A
SCALE: 1:35	WT: 845.24 LBS	SHEET 1 OF 4

REVISIONS			
REV.	DESCRIPTION	DATE	APPROVED
A	ADDED CYLINDER INFORMATION	9/9/2021	BEVAN

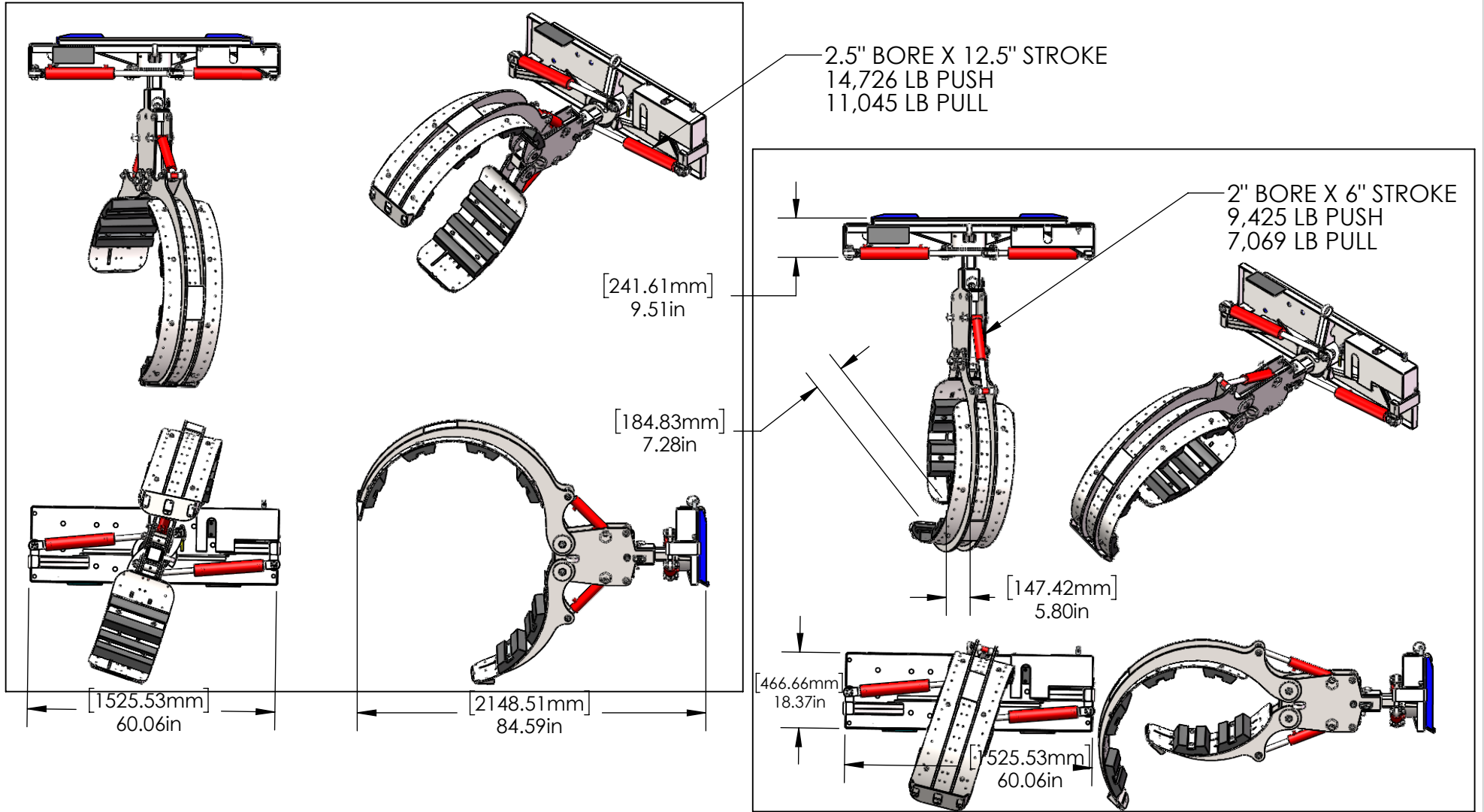
PROPRIETARY AND CONFIDENTIAL

THE INFORMATION CONTAINED IN THIS
DRAWING IS THE SOLE PROPERTY OF
EZ-SPOT-UR. ANY REPRODUCTION IN PART
OR AS A WHOLE WITHOUT THE WRITTEN
PERMISSION OF EZ-SPOT-UR IS PROHIBITED.

NEXT ASSY

USED ON

APPLICATION



ROTATES 127° TO OPERATOR'S LEFT

WEIGHT= 845.24 LBS

PROPRIETARY AND CONFIDENTIAL

THE INFORMATION CONTAINED IN THIS DRAWING IS THE SOLE PROPERTY OF EZ-SPOT-UR. ANY REPRODUCTION IN PART OR AS A WHOLE WITHOUT THE WRITTEN PERMISSION OF EZ-SPOT-UR IS PROHIBITED.

		UNLESS OTHERWISE SPECIFIED:		NAME	DATE
		DIMENSIONS ARE IN INCHES TOLERANCES: FRACTIONAL ± ANGULAR: MACH ± BEND ± TWO PLACE DECIMAL ± THREE PLACE DECIMAL ±		DRAWN BEVAN	11-30-12
		INTERPRET GEOMETRIC TOLERANCING PER:		CHECKED	
		MATERIAL		ENG APPR.	
		FINISH		MFG APPR.	
		NEXT ASSY		Q.A.	
		USED ON		COMMENTS:	
		APPLICATION			
		DO NOT SCALE DRAWING			

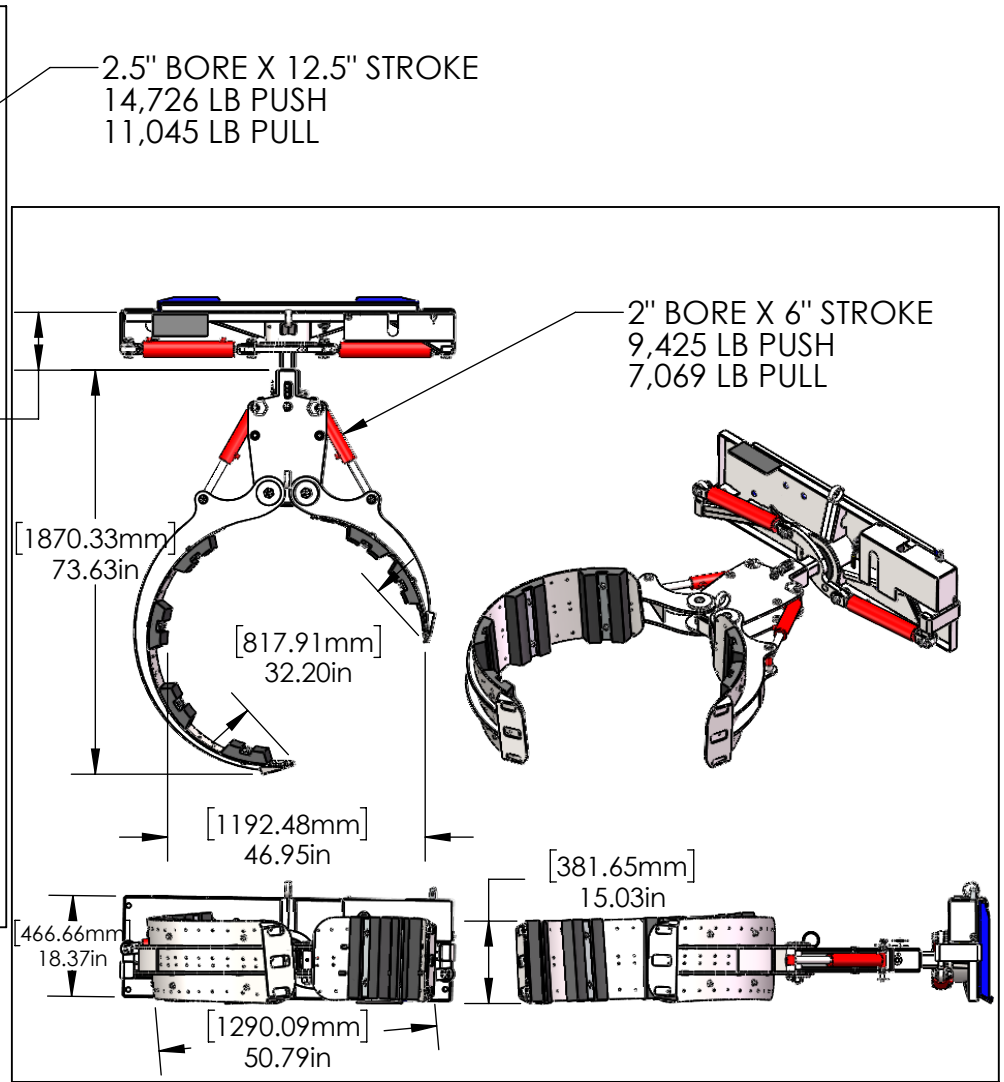
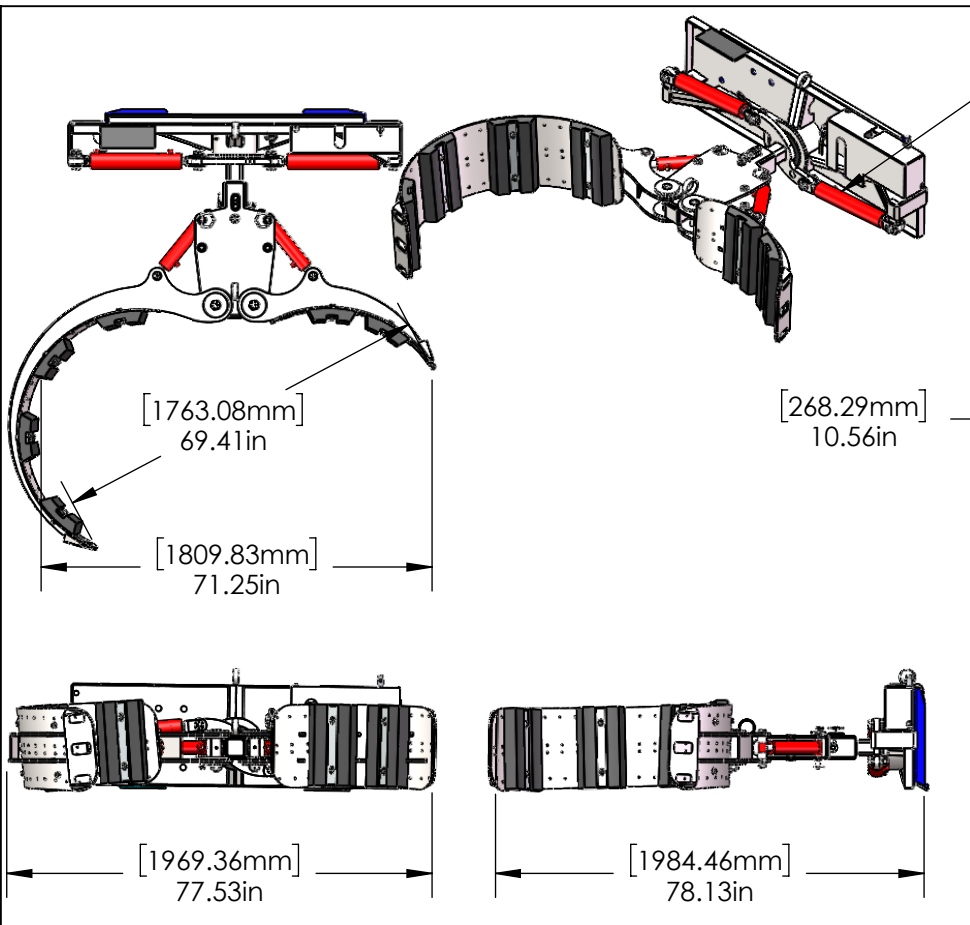
EZ-SPOT-UR

TITLE:

**POT HANDLER ON
STANDARD BASE**

SIZE A	DWG. NO. PH-01-0005 - POT HANDLER ON STANDARD BASE	REV A
------------------	--	-----------------

SCALE: 1:35 WT: 845.24 LBS SHEET 2 OF 4



ROTATES 127° TO OPERATOR'S LEFT

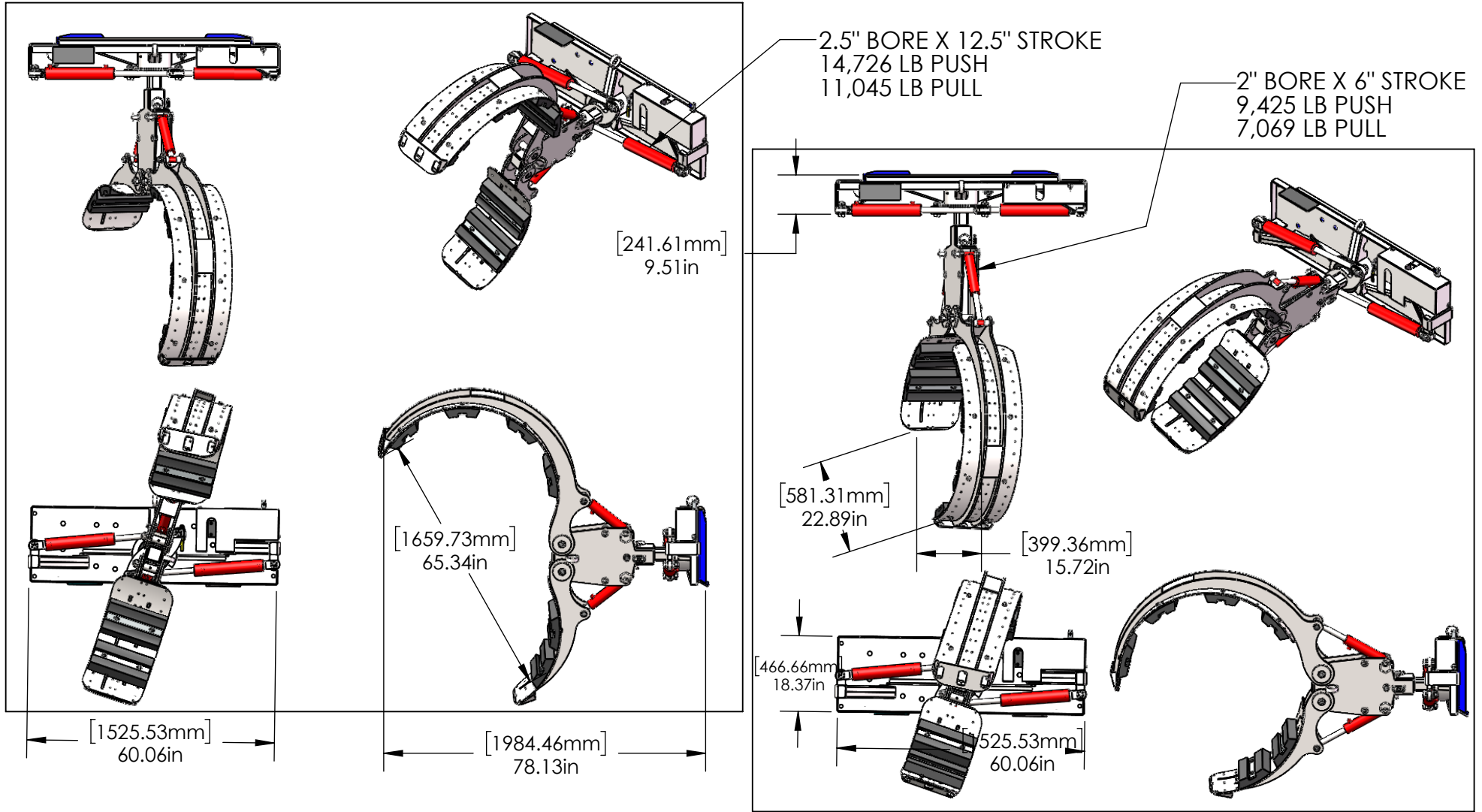
WEIGHT= 845.24 LBS

		UNLESS OTHERWISE SPECIFIED:		NAME	DATE
		DIMENSIONS ARE IN INCHES	DRAWN	BEVAN	12-4-12
		TOLERANCES:	CHECKED		
		FRACTIONAL ±	ENG APPR.		
		ANGULAR: MACH ± BEND ±	MFG APPR.		
		TWO PLACE DECIMAL ±	Q.A.		
		THREE PLACE DECIMAL ±	COMMENTS:		
		INTERPRET GEOMETRIC TOLERANCING PER:			
		MATERIAL			
		FINISH			
NEXT ASSY	USED ON				
APPLICATION		DO NOT SCALE DRAWING			

EZ-SPOT-UR		
TITLE:		
POT HANDLER ON STANDARD BASE		
SIZE	DWG. NO.	REV
A	PH-01-0005 - POT HANDLER ON STANDARD BASE	A
SCALE: 1:35	WT: 845.24 LBS	SHEET 3 OF 4

PROPRIETARY AND CONFIDENTIAL

THE INFORMATION CONTAINED IN THIS DRAWING IS THE SOLE PROPERTY OF EZ-SPOT-UR. ANY REPRODUCTION IN PART OR AS A WHOLE WITHOUT THE WRITTEN PERMISSION OF EZ-SPOT-UR IS PROHIBITED.



ROTATES 127° TO OPERATOR'S LEFT
 WEIGHT= 845.24 LBS

PROPRIETARY AND CONFIDENTIAL

THE INFORMATION CONTAINED IN THIS DRAWING IS THE SOLE PROPERTY OF EZ-SPOT-UR. ANY REPRODUCTION IN PART OR AS A WHOLE WITHOUT THE WRITTEN PERMISSION OF EZ-SPOT-UR IS PROHIBITED.

		UNLESS OTHERWISE SPECIFIED:	NAME	DATE
		DIMENSIONS ARE IN INCHES	DRAWN	BEVAN
		TOLERANCES:	CHECKED	11-30-12
		FRACTIONAL ±	ENG APPR.	
		ANGULAR: MACH ± BEND ±	MFG APPR.	
		TWO PLACE DECIMAL ±	Q.A.	
		THREE PLACE DECIMAL ±	COMMENTS:	
		INTERPRET GEOMETRIC TOLERANCING PER:		
		MATERIAL		
		FINISH		
NEXT ASSY	USED ON			
APPLICATION	DO NOT SCALE DRAWING			

EZ-SPOT-UR		
TITLE:		
POT HANDLER ON STANDARD BASE		
SIZE	DWG. NO.	REV
A	PH-01-0005 - POT HANDLER ON STANDARD BASE	A
SCALE: 1:35	WT: 845.24 LBS	SHEET 4 OF 4

5

4

3

2

1