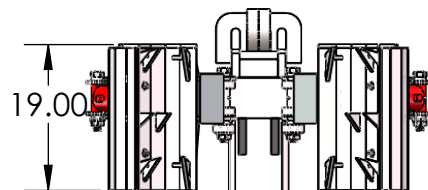


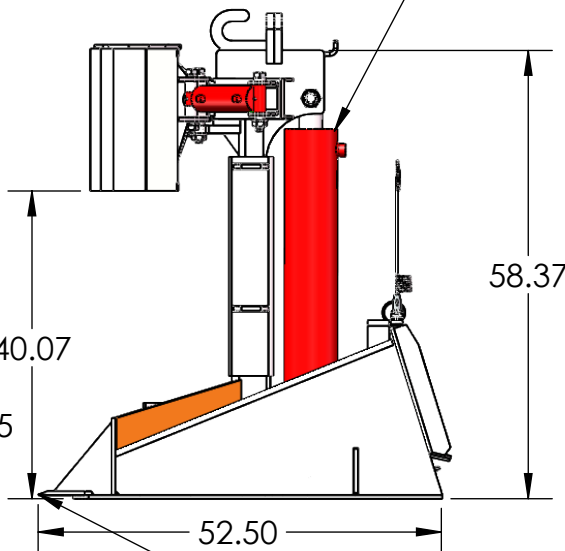
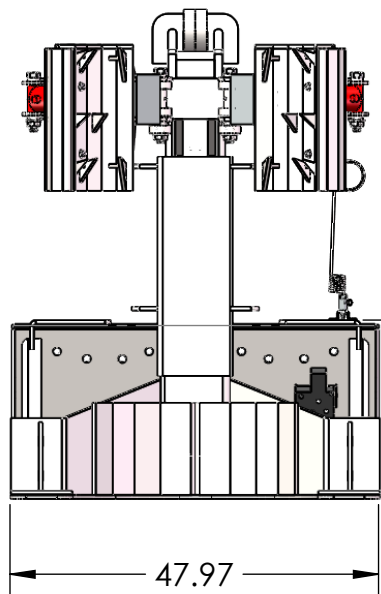
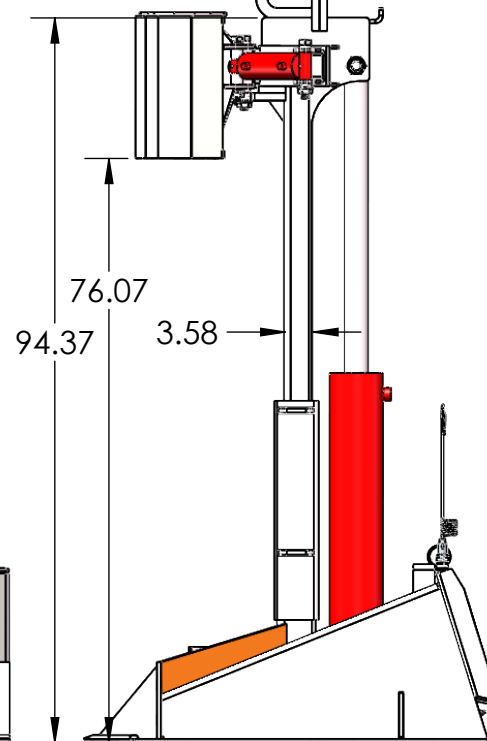
TOTAL WEIGHT: 2131.88 LBS

CHAIN RECOMENDED WORKING
LOAD OF 9,000 LBS OR HIGHER WITH
LENGTH OF AT LEAST 8 FEET.

EXTRACTION HOOK FOR OBJECTS
THAT ARE SHORTER THAN CLAMP



6" BORE X 36" STROKE
84823 LB PUSH
63617 LB PULL



CUTTING EDGE FOR EASY ACCESS TO BOTTOM
OF POLE EVEN WHEN THERE IS A MOUND OF
DIRT SO BOTTOM PLATE STAYS FLAT

UNLESS OTHERWISE SPECIFIED:

DIMENSIONS ARE IN INCHES
TOLERANCES:
FRACTIONAL ±
ANGULAR: MACH ± BEND ±
TWO PLACE DECIMAL ±
THREE PLACE DECIMAL ±

INTERPRET GEOMETRIC
TOLERANCING PER:
MATERIAL
SEE DETAILS
FINISH

DO NOT SCALE DRAWING

| | NAME | DATE |
|-----------|-------|----------|
| DRAWN | BEVAN | 3/7/2019 |
| CHECKED | | |
| ENG APPR. | | |
| MFG APPR. | | |
| Q.A. | | |
| COMMENTS: | | |

EZ-SPOT-UR

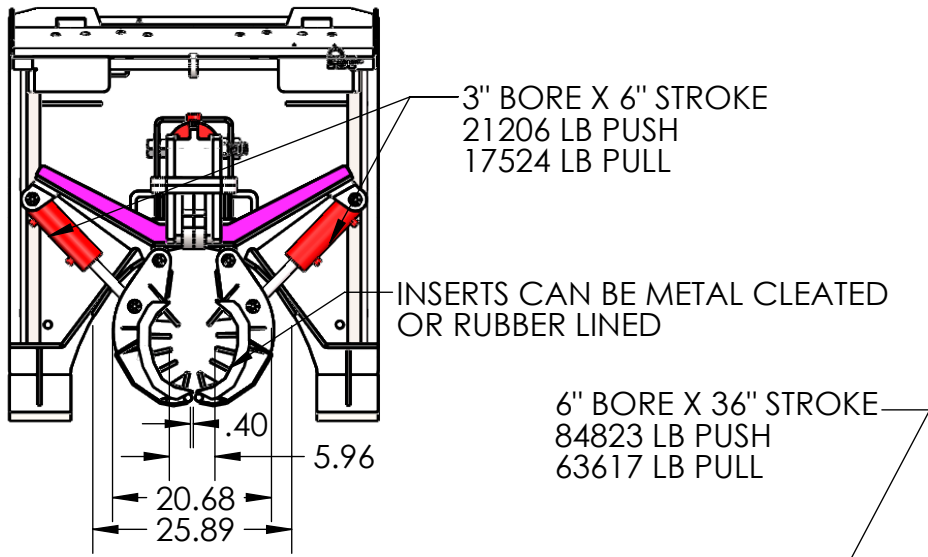
TITLE:
ASSY, POLE JACK

PROPRIETARY AND CONFIDENTIAL
THE INFORMATION CONTAINED IN THIS
DRAWING IS THE SOLE PROPERTY OF
EZ-SPOT-UR. ANY REPRODUCTION IN PART
OR AS A WHOLE WITHOUT THE WRITTEN
PERMISSION OF EZ-SPOT-UR IS PROHIBITED.

| | |
|-------------|---------|
| NEXT ASSY | USED ON |
| APPLICATION | |

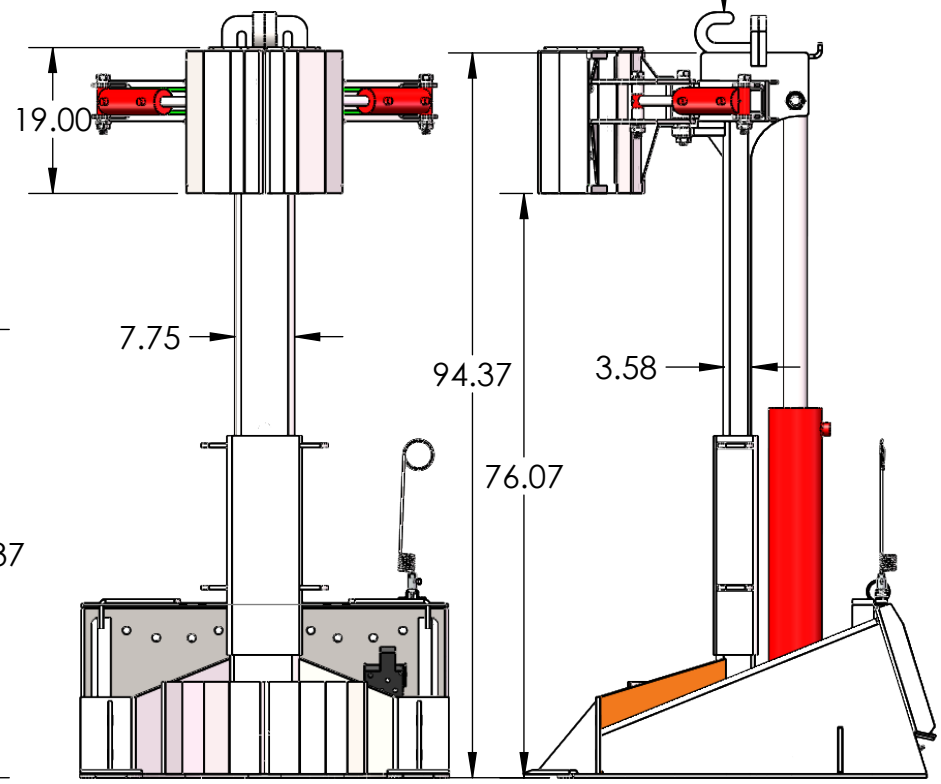
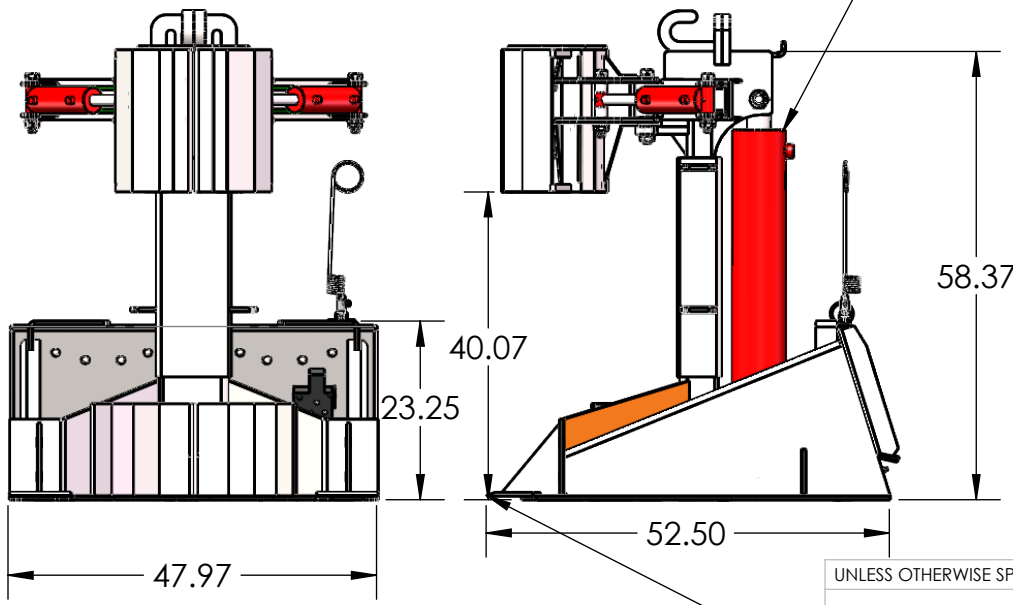
| | | |
|------------------|--|--------------|
| SIZE A | DWG. NO. PJ-01-0012-A - POLE JACK SPECS - BACK SPIKES GONE | REV |
| SCALE: 1:25 | WEIGHT: 2131.88 LBS | SHEET 1 OF 2 |

TOTAL WEIGHT: 2131.88 LBS



CHAIN RECOMENDED WORKING LOAD OF 9,000 LBS OR HIGHER WITH LENGTH OF AT LEAST 8 FEET.

EXTRACTION HOOK FOR OBJECTS THAT ARE SHORTER THAN CLAMP



CUTTING EDGE FOR EASY ACCESS TO BOTTOM OF POLE EVEN WHEN THERE IS A MOUND OF DIRT SO BOTTOM PLATE STAYS FLAT

| | | | |
|--------------------------------------|---------|-----------|----------------|
| UNLESS OTHERWISE SPECIFIED: | | NAME | DATE |
| DIMENSIONS ARE IN INCHES | | DRAWN | BEVAN 3/7/2019 |
| TOLERANCES: | | CHECKED | |
| FRACTIONAL ± | | ENG APPR. | |
| ANGULAR: MACH ± BEND ± | | MFG APPR. | |
| TWO PLACE DECIMAL ± | | Q.A. | |
| THREE PLACE DECIMAL ± | | COMMENTS: | |
| INTERPRET GEOMETRIC TOLERANCING PER: | | | |
| MATERIAL | | | |
| SEE DETAILS | | | |
| FINISH | | | |
| NEXT ASSY | USED ON | | |
| APPLICATION | | | |
| DO NOT SCALE DRAWING | | | |

EZ-SPOT-UR

TITLE:
ASSY, POLE JACK

PROPRIETARY AND CONFIDENTIAL
THE INFORMATION CONTAINED IN THIS DRAWING IS THE SOLE PROPERTY OF EZ-SPOT-UR. ANY REPRODUCTION IN PART OR AS A WHOLE WITHOUT THE WRITTEN PERMISSION OF EZ-SPOT-UR IS PROHIBITED.

| | | |
|-------------|--|--------------|
| SIZE | DWG. NO. | REV |
| A | PJ-01-0012-A - POLE JACK SPECS - BACK SPIKES GONE | |
| SCALE: 1:25 | WEIGHT: 2131.88 LBS | SHEET 2 OF 2 |