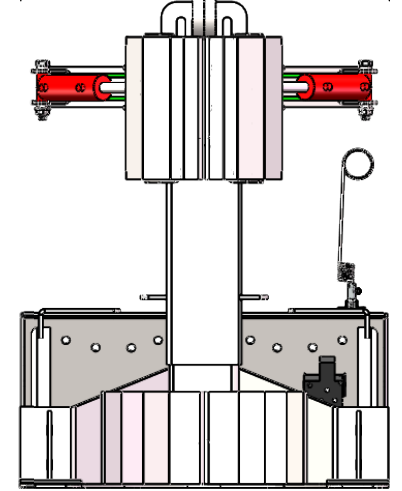
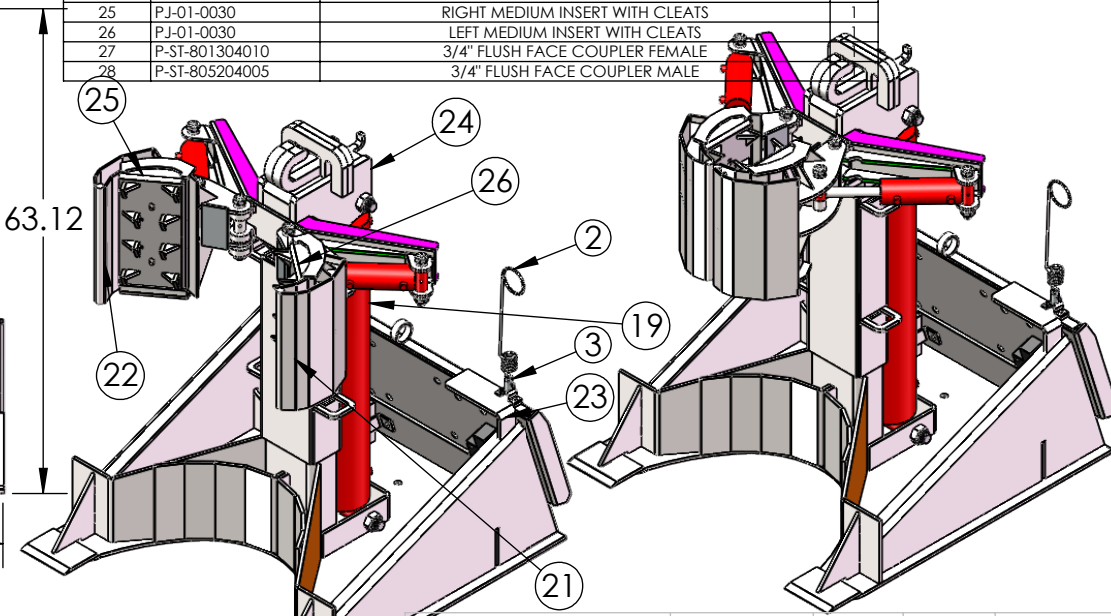
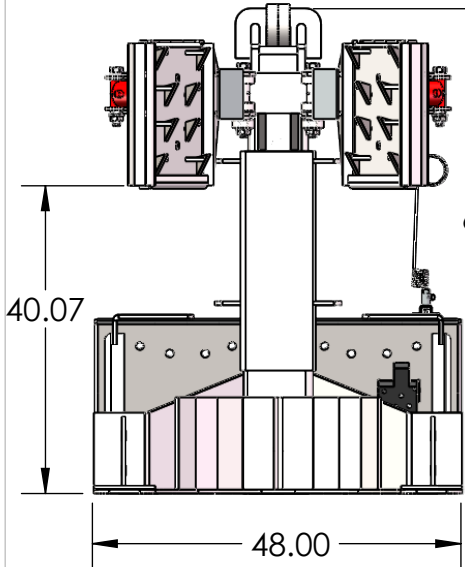
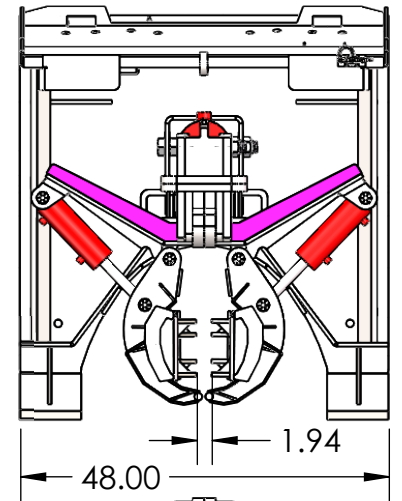
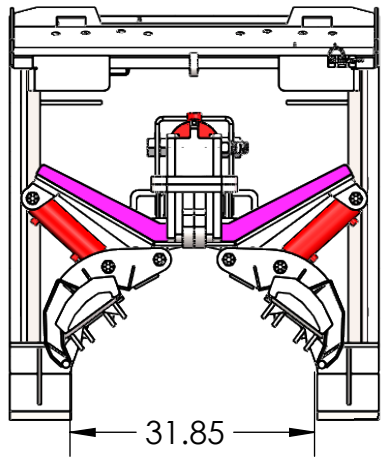


ITEM NO.	PART NUMBER	DESCRIPTION	QTY.
1	GT12R	BRITE-START GT12 12V LAWN & GARDEN BATTERY	1
2	CDB-00-0012	SPRING FOR SPRING HOSE KIT	1
3	CDB-01-0013	SPUD WELDMENT	1
4	P-MP-CYL-300-600	3" x 6" x 1.25" CYLINDER WITHOUT PILOT CHECK VALVE	2
5	FA58771	DynaFlo[REG] 1/4"-28 STRAIGHT STEEL ZINC GREASE FITTING WITH BALL CHECK	2
6	FA0166995	1"-8 GRADE F ZINC FINISH STEEL FLANGE TOP LOCK NUT	6
7	FA0166990	1/2"-13 GRADE F ZINC FLANGE TOP LOCK NUT	4
8	FA15477	1"-8 x 7" GRADE 8 YELLOW ZINC HEX CAP SCREW	2
9	FA15479	1"-8 x 8" GRADE 8 YELLOW ZINC HEX CAP SCREW	2
10	FA15481	1"-8 x 9" GRADE 8 YELLOW ZINC HEX CAP SCREW	2
11	FA37286	1-1/2"-6 GRADE C ZINC FINISH STEEL COLLAR STYLE TOP LOCK NUT	2
12	FA14681	1-1/2"-6 x 9" GRADE 8 PLAIN FINISH HEX CAP SCREW	1
13	FA14686	1-1/2"-6 x 12" GRADE 8 PLAIN FINISH HEX CAP SCREW	1
14	FA0166988	3/8"-16 GRADE F ZINC FINISH STEEL FLANGE TOP LOCK NUT	2
15	FA13109	3/8"-16 x 1-1/2" GRADE 5 ZINC HEX CAP SCREW	2
16	FA13015	1/4"-20 x 3" GRADE 5 ZINC HEX CAP SCREW	2
17	FA32777	1/4"-20 x 1/2" TYPE B REGULAR THUMB SCREW	1
18	P-PS-VA-0860-03-1	MAIN SELECTOR VALVE	1
19	P-MP-EZS0023	6" x 36" x 3" CYLINDER	1
20	PJ-00-0079	BATTERY BRACKET	1
21	PJ-01-0009	WELDMENT, LEFT POLE JACK JAW	1
22	PJ-01-0010	RIGHT UPPER JAW WELDMENT	1
23	PJ-01-0013	WELDMENT, POLE JACK BASE	1
24	PJ-01-0014	WELDMENT, POLE JACK HEAD	1
25	PJ-01-0030	RIGHT MEDIUM INSERT WITH CLEATS	1
26	PJ-01-0030	LEFT MEDIUM INSERT WITH CLEATS	1
27	P-ST-801304010	3/4" FLUSH FACE COUPLER FEMALE	1
28	P-ST-805204005	3/4" FLUSH FACE COUPLER MALE	1



REVISIONS			
REV.	DESCRIPTION	DATE	APPROVED
A	UPDATED THE NUTS AND BOLTS	5/30/2018	BEVAN
B	UPDATED DIMENSIONS AFTER UPDATING CYL BRACKETS	9/20/2018	BEVAN
C	ADDED THE SPRING HOSE HOLDER	12/17/2018	BEVAN
D	UPDATED THE P/N FOR THE BATTERY TO GT12R	1/11/2021	BEVAN

UNLESS OTHERWISE SPECIFIED:
 DIMENSIONS ARE IN INCHES
 TOLERANCES:
 FRACTIONAL ±
 ANGULAR: MACH ± BEND ±
 TWO PLACE DECIMAL ±
 THREE PLACE DECIMAL ±

INTERPRET GEOMETRIC TOLERANCING PER:
 MATERIAL
 SEE DETAILS
 FINISH

APPLICATION DO NOT SCALE DRAWING

	NAME	DATE
DRAWN	BEVAN	10/12/2017
CHECKED		
ENG APPR.		
MFG APPR.		
Q.A.		
COMMENTS:		

EZ-SPOT-UR

TITLE:
ASSY, POLE JACK

SIZE **A** DWG. NO. PJ-01-0012-E - POLE JACK WITH MEDIUM INSERTS REV **D**

SCALE: 1:25 WEIGHT: 2131.87 LBS SHEET 1 OF 1

PROPRIETARY AND CONFIDENTIAL

THE INFORMATION CONTAINED IN THIS DRAWING IS THE SOLE PROPERTY OF EZ-SPOT-UR. ANY REPRODUCTION IN PART OR AS A WHOLE WITHOUT THE WRITTEN PERMISSION OF EZ-SPOT-UR IS PROHIBITED.