



ATTACHMENTS

Make it EZ!

1-877-433-5733

www.ezspotur.com



ATTACHMENTS

Make it EZ!



**POLE JACK
EZ-PJ001**



Make it EZ!



**SAFETY
FEATURES**



Make it EZ!



Decal Safety
All units have
pictorial and
written caution
decals.

HOSE SAFETY

- All hydraulic hoses are **Cordura protected**.
- Hoses have an operating pressure of 3,000psi
- Hoses have a burst pressure of 12,000psi.
- The spring hose unit ensures that the hydraulic line will not get pinched.
- The spring hose unit keeps the hoses out of the dirt



SPRING HOSE MOUNT

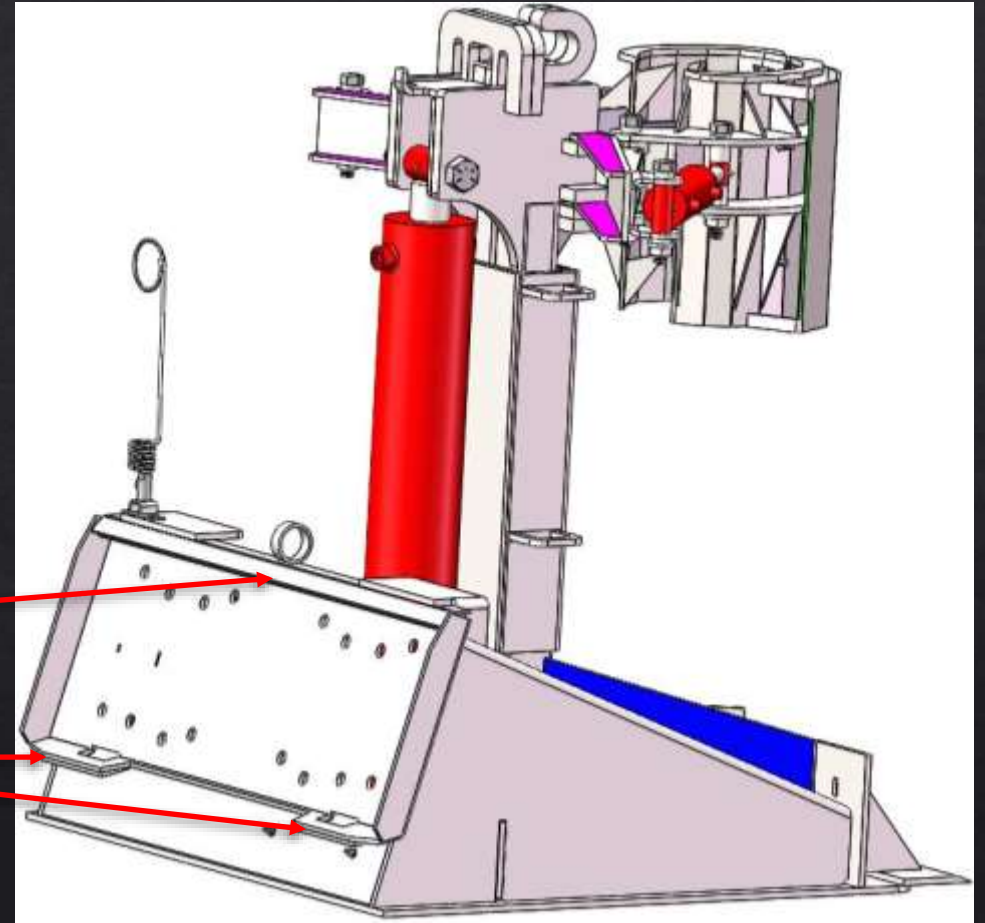
CONNECTION SAFETY

Quick attach plate has gusset on top for extra support

Quick attach plate has doublers at the pin holes to insure they will not tear out.

QUICK ATTACH GUSSET

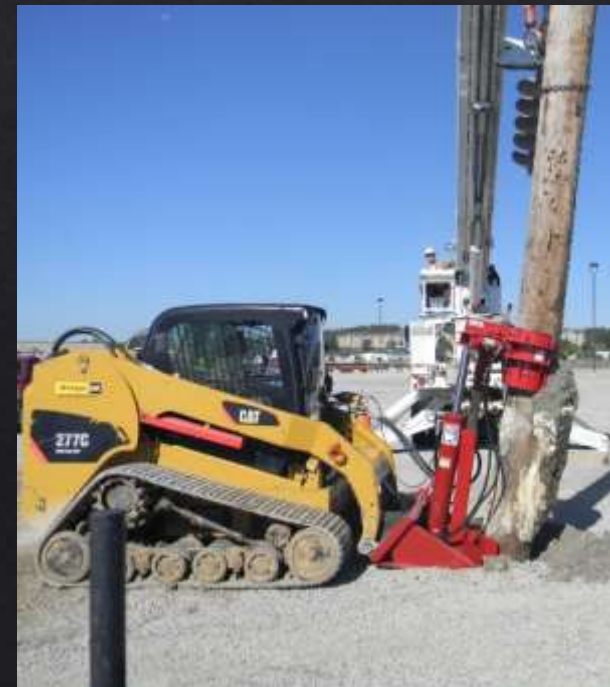
DOUBLERS





Make it EZ!

- Remove poles from frozen ground
- Pull foamed and cleated poles



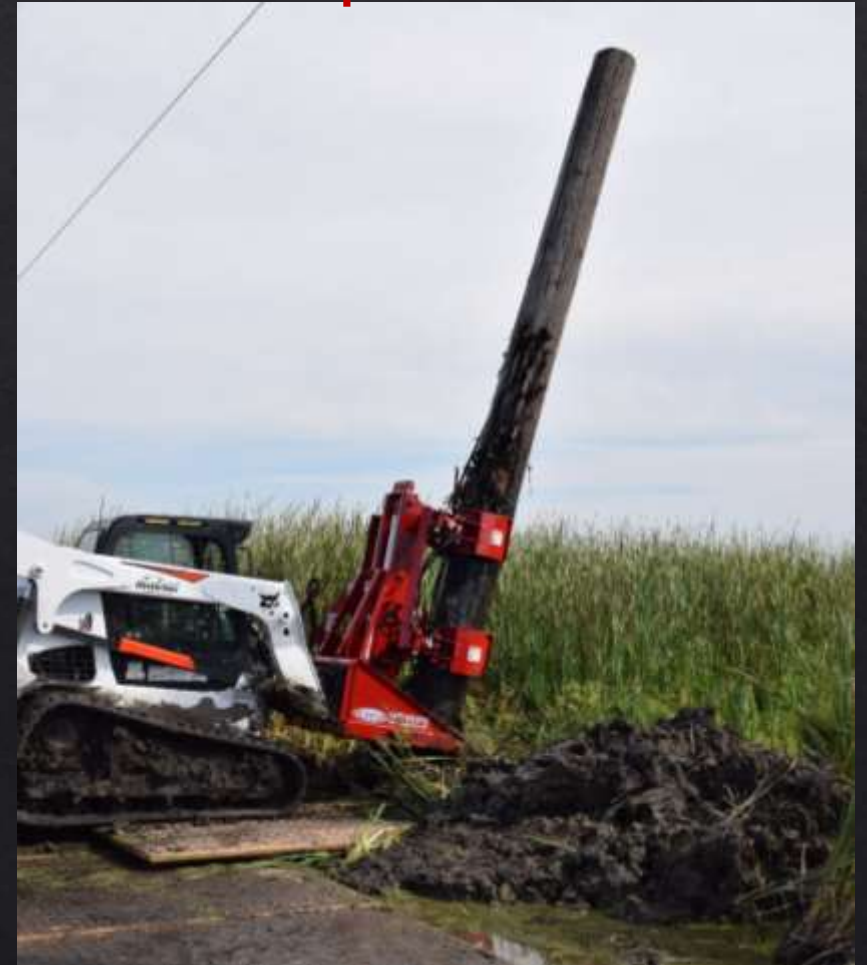


ATTACHMENTS

Make it EZ!

- Works in swamp terrain with bog shoes.

- Safe and one man operational





- Goes places other machines cannot!
- Will NOT damage curbs or yards
- Save Time and Money!

EZ SPOT UR
ATTACHMENTS *Make it EZ!*

CHAIN HOOK

CHAIN HOOK

- Allows for chain to be wrapped around the pole for added grip
- Use grade 80 chain or higher



Make it EZ!





Make it EZ!

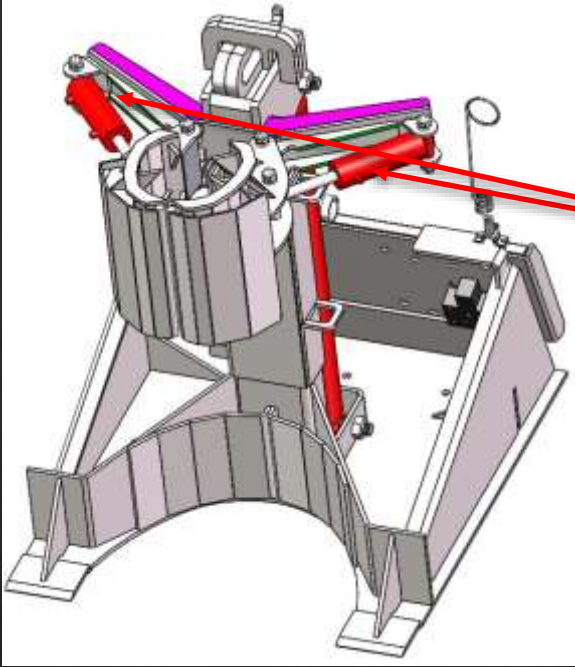
Cutting Edge on the Bottom of the Pole Jack cuts through dirt mound at base of pole to ensure access to the pole



Width of base is 48 inches which provides a stable platform for pulling poles

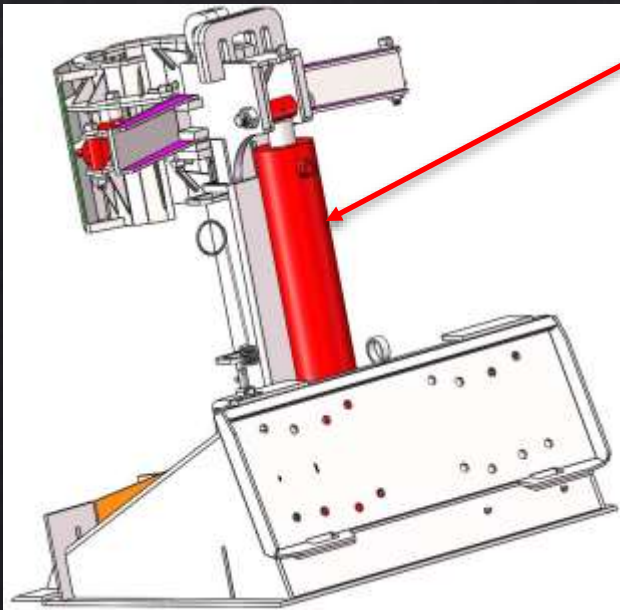


Clamp Specifications



1. CLAMP CYLINDERS

- 3"x6" CLAMP CYLINDERS
- Break out force of 21,206 lbs
- Grips pole securely



2. EXTRACTION CYLINDER

- 6"X36" EXTRACTION CYLINDER
- Break out force of 84,823 lbs
- Extracts pole from the ground

Product Specifications



- **Universal Quick Tach' mounting system.**
- **Can be adapted to fit any machine**
- **Extracts poles up to 100 feet in length with one-man operation.**
- **2200 lbs. attachment weight.**
- **Weight Capacity 7,000 lbs**
- **Jaws open from 9 inches to 31 inches.**
- **Rubber inserts can be purchased for removing metal or concrete poles.**

Product Specifications



- Comes complete with $\frac{3}{4}$ " flush faced coupler
- Spring hose mount included
- Wiring harness included
- Grade 8 bolts
- All nuts flanged to prevent slippage.
- Core welded
- Composed of Grade 80 material or higher to withstand years of wear and tear.

Important Tips

- Pole Jack is strictly used for pulling poles and not handling poles.
- A Digger Derrick or other equipment is required to handle and control the pole when it is out of the ground.
- The base plate should never leave the ground when pulling poles
- The base of the Pole Jack needs to be as flat as possible on the ground
- The jaws of the Pole Jack should be parallel to the pole



TO EXTRACT A POLE

1. Bring the pole jack up to the pole and set it down as close to the pole as possible with the pole in the u-shaped opening. The clamping jaws should be open. The bottom of the pole jack should be as flat as possible for stability.



EZ SPOT UR
ATTACHMENTS

Make it EZ!

2. Activate the clamp both electrically and hydraulically to securely clamp the pole.



EZ SPOT UR
ATTACHMENTS *Make it EZ!*

3. Extend the extraction cylinder hydraulically to move the pole out of the ground. If the pole slips out of the jaws or if the pole is too short to fit the jaws, wrap a chain around the pole and connect the chain to the hook on top of the pole jack.



EZ SPOT UR
ATTACHMENTS *Make it EZ!*

4. Unclamp the pole and retract the extraction cylinder to bring the pole jack down to the starting position.

5. Repeat steps 2-4 until the pole is out of the ground.



EZ SPOT UR
ATTACHMENTS *Make it EZ!*

POLE JACK VIDEO



EZ SPOT UR
ATTACHMENTS *Make it EZ!*

- All EZ Spot UR Attachments are proudly made in the USA

- All Attachments come with a One Year Warranty

