



ATTACHMENTS

Make it EZ!

1-877-433-5733

www.ezspotur.com

EZ SPOT UR
ATTACHMENTS

Make it EZ!



POT MOVER
EZ-0020



Make it EZ!



**SAFETY
FEATURES**



Make it EZ!



ROTATION SAFETY

The rotation cycle has a mechanical stop to prevent the hydraulic cylinders from exceeding their maximum extension.

Decal Safety

All units have pictorial and written decals

SPRING HOSE MOUNT

HOSE SAFETY

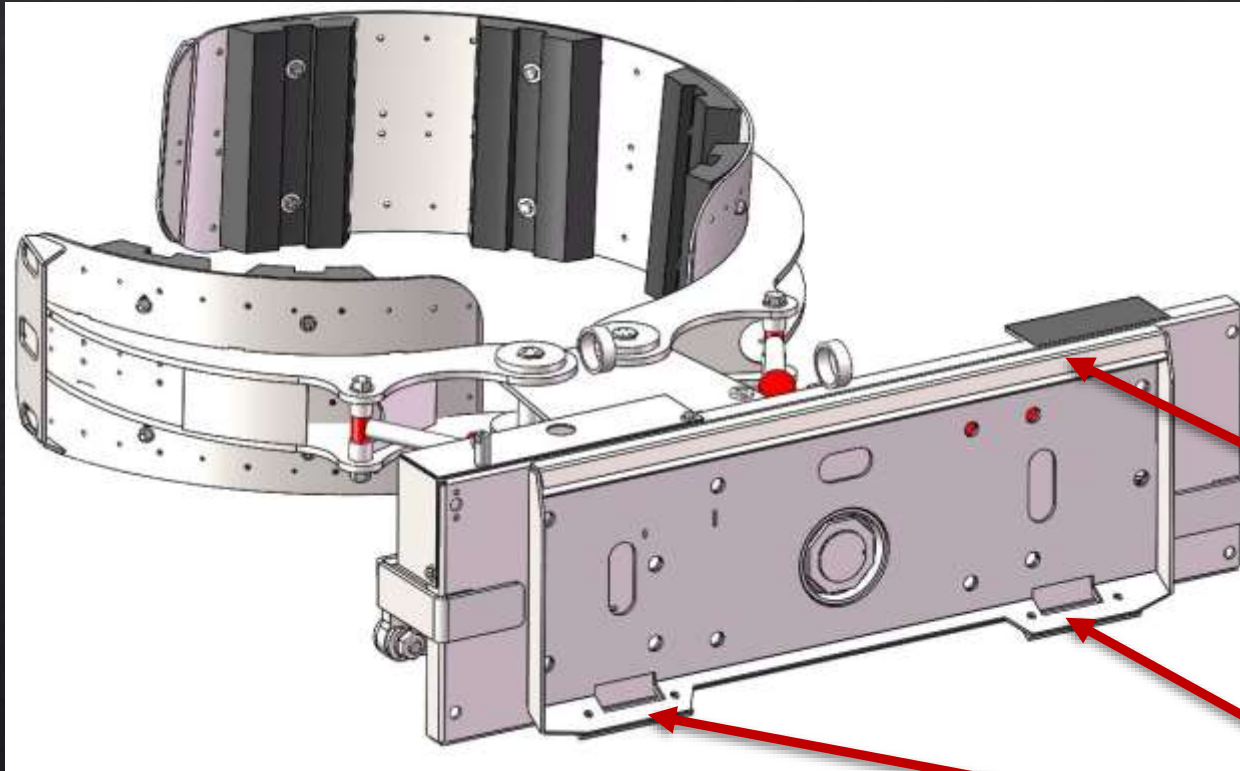


- All hydraulic hoses are Cordura protected.
- Hoses have an operating pressure of 3,000psi
- Hoses have a burst pressure of 12,000 psi.
- The spring hose unit insures that the hydraulic line will not get pinched.
- The spring hose unit keeps the hoses out of the dirt

EZ SPOT UR
ATTACHMENTS

Make it EZ!

CONNECTION SAFETY



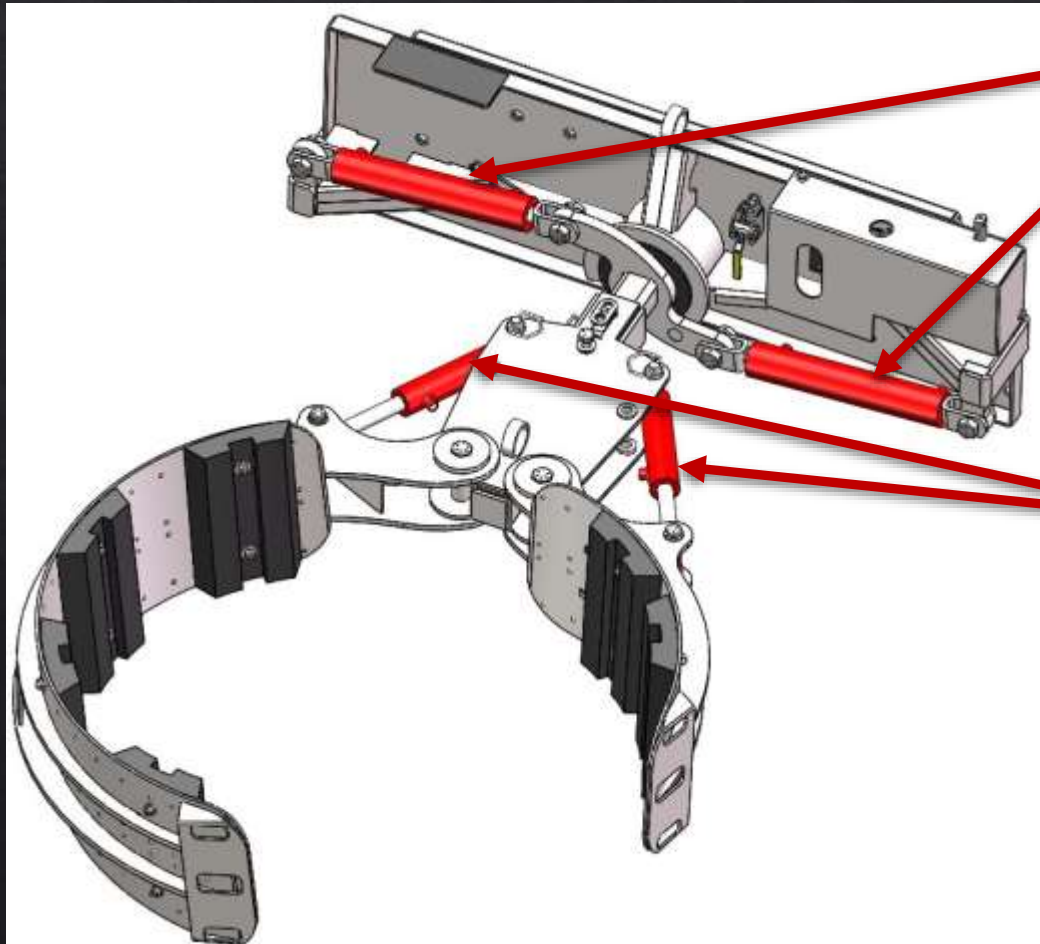
Quick attach plate has gusset on top for extra support.

Quick attach plate has doublers at the pin holes to insure they will not tear out.

Gusset

Doublers

Clamp Specifications

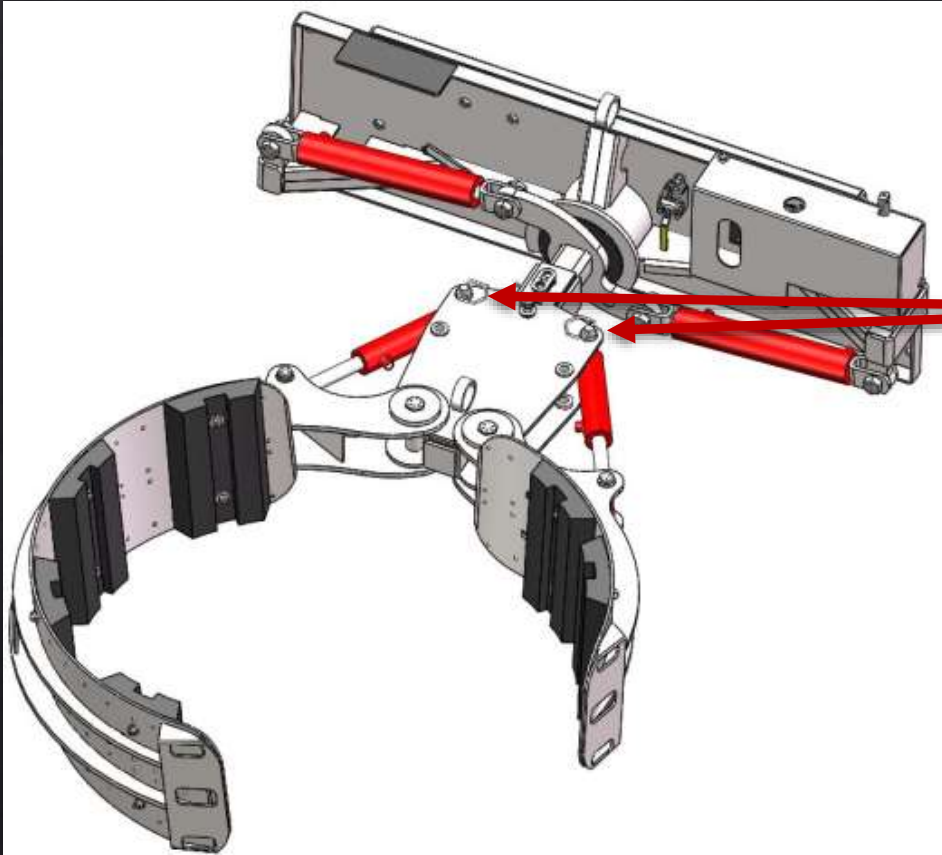


1. ROTATION CYLINDERS

- 2.5"x12.5" CLAMP CYLINDERS
- Break out force of 14,726 lbs

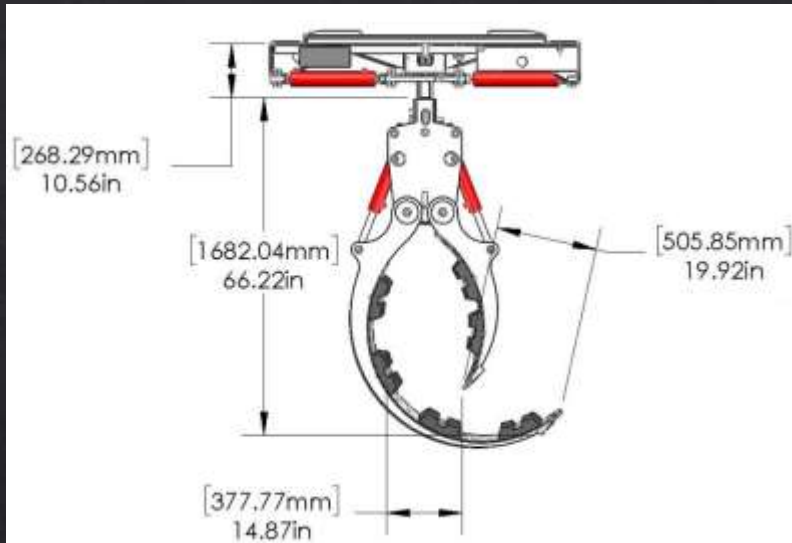
2. CLAMP CYLINDERS

- 2"x6" CLAMP CYLINDERS
- Break out force of 9,425 lbs
- Grips pots securely

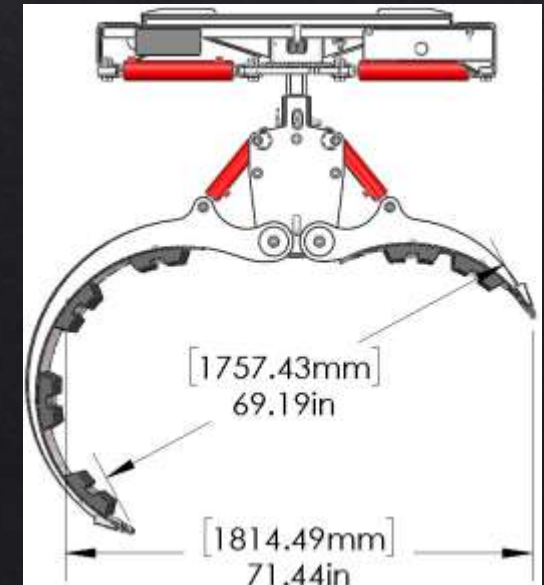
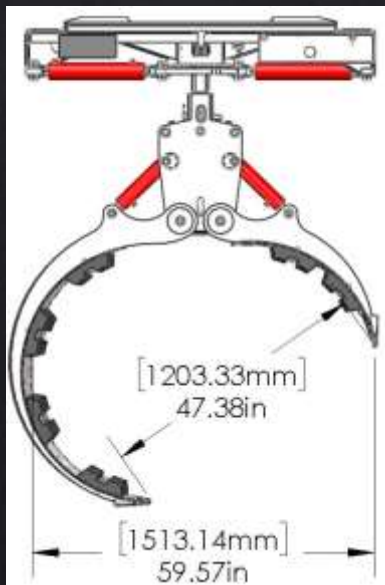
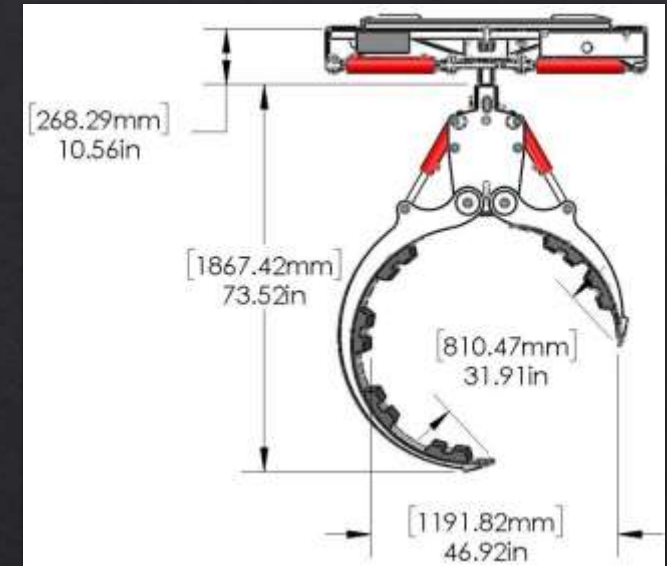


Quick Release Pins
3/4 inch steel hitch pins
for quickly adjusting the
opening of the jaws

Dimensions for Pot Mover with cylinder pins in front

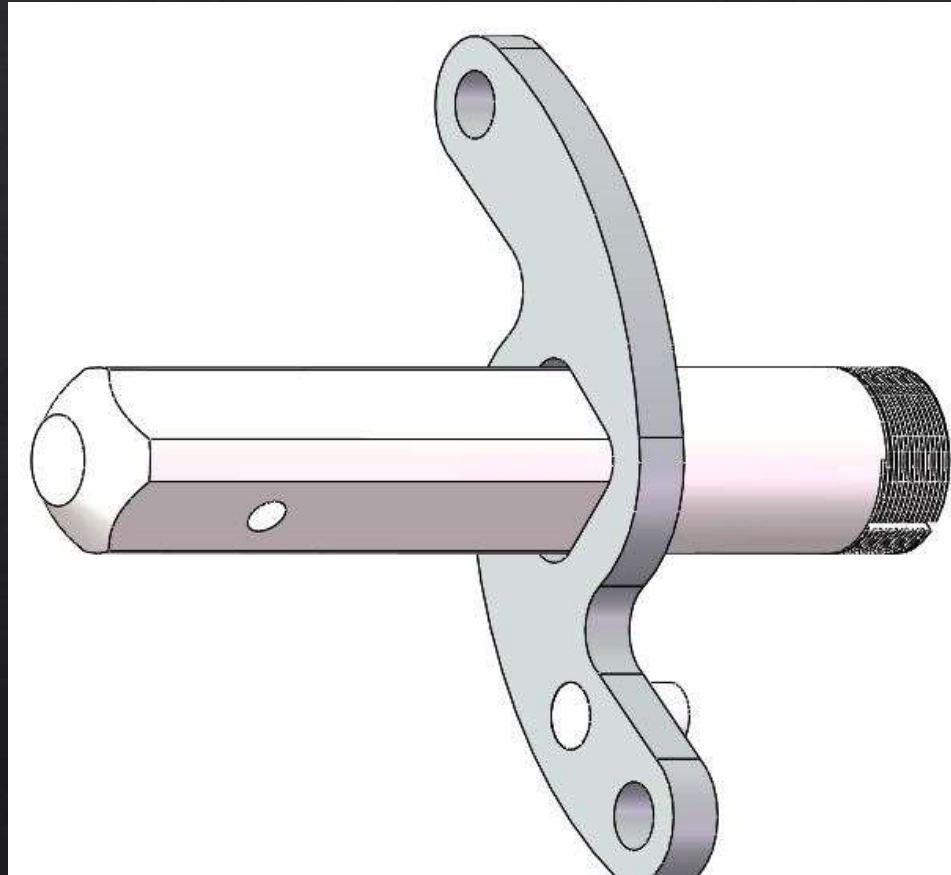


Dimensions for Pot Mover with cylinder pins in back



SHAFT SAFETY

The main rotating shaft is made of solid 3 ½ inch 4140 OQT
Front of shaft is milled down to 3 inch square and slides into the
receiver of the toolhead.



EZ SPOT UR
ATTACHMENTS

Make it EZ!



THE IDEAL TOOL FOR:

FARMS

RANCHES

PLANT NURSERIES

ORCHARDS

**LANDSCAPING
BUSINESSES**



Make it EZ!

**WILL NOT CRUSH OR
DAMAGE POTS**

**LOAD AND UNLOAD
TRUCKS SAFELY**

**MOVE POTS FROM
45 GALLON TO 200 GALLON**



PRODUCT SPECIFICATIONS



- Universal Quick Tach' mounting system.
- Rotates 110 degrees to the operators left when attached to an EZ Spot UR Double Cylinder Rotating Base.
- Can also be attached to an EZ Spot UR Fixed Non-Rotating Base.
- Asymmetric arm allows the operator to load and unload nursery pots easily.
- The inside of the jaws can be lined with rubber to prevent damage to the pot.
- Handles pots ranging from 45-200 gallons
- Rated weight capacity of 3,000 lbs with an appropriately rated machine



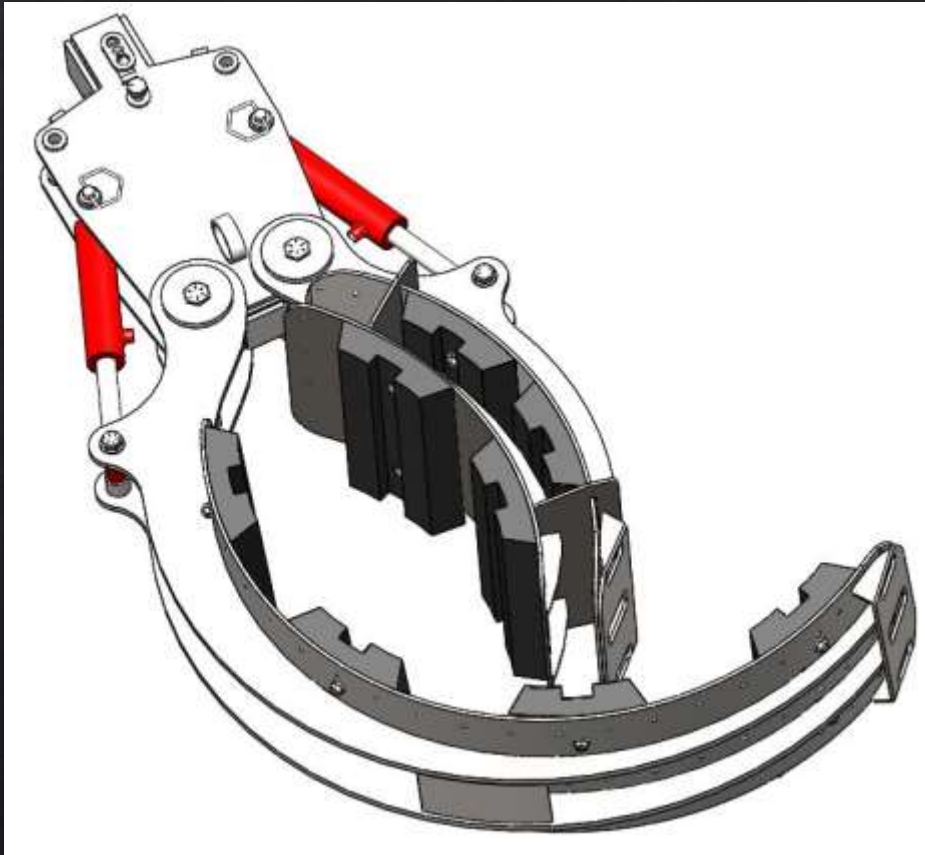
Make it EZ!

PRODUCT SPECIFICATIONS

- Weight of Attachment with Double Cylinder Rotating Base: 848 lbs
- Equipped with release valve to adjust pressure down to 250 psi to ensure no crushing occurs.
- Comes with ¾" flush faced couplers
- Includes spring hose mount
- Includes wiring harness.
- Composed of Grade 50 material
- Core welded to withstand years of wear and tear.



Make it EZ!



15 Gallon Inserts Available

POT MOVER VIDEO





Make it EZ!

**ALL EZ SPOT UR
PRODUCTS
ARE PROUDLY MADE
IN THE USA
AND COME WITH A
ONE YEAR WARRANTY**

