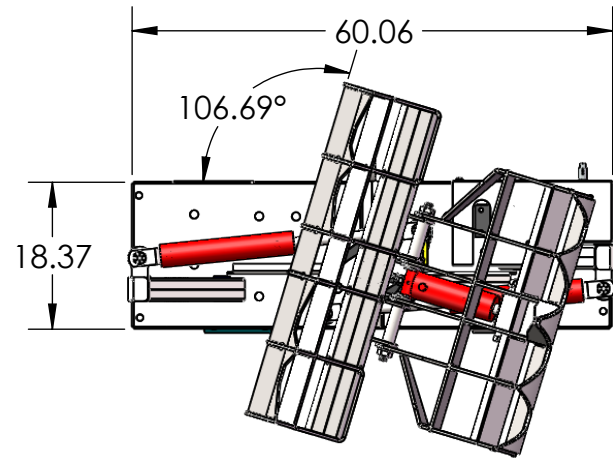
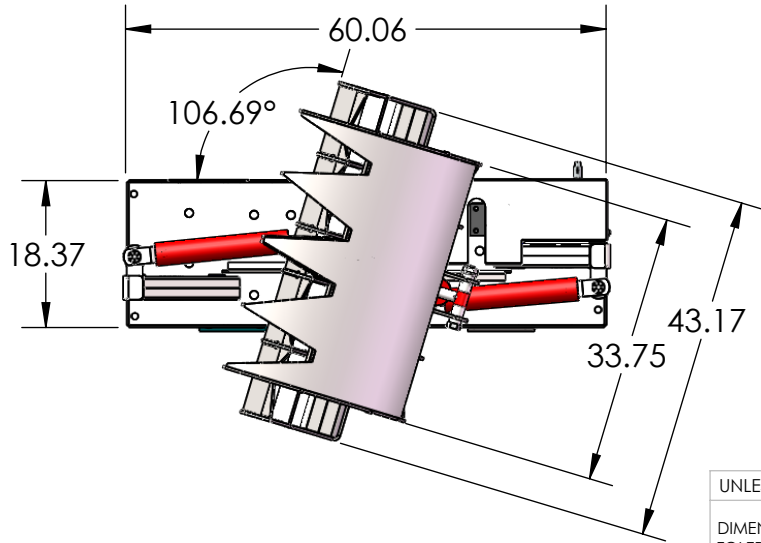
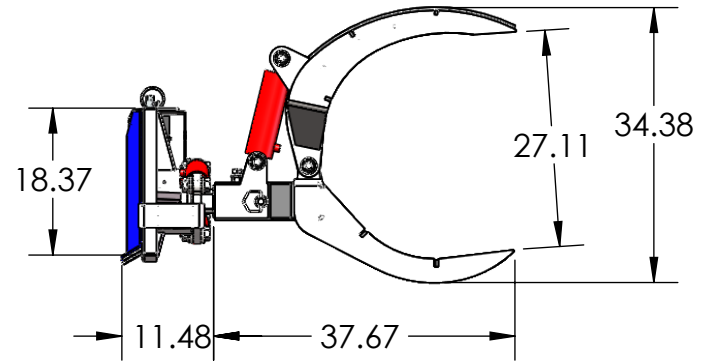
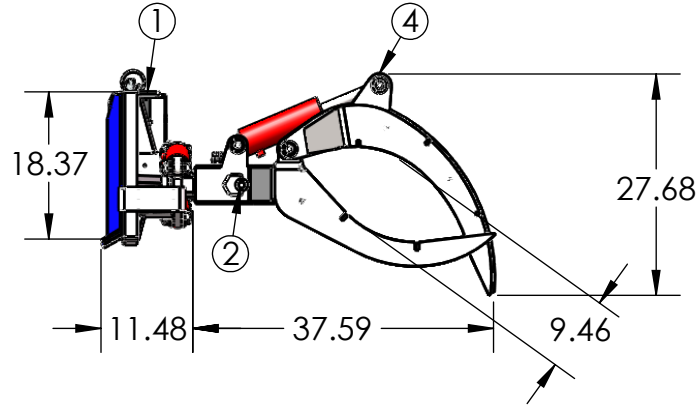


ITEM NO.	PART NUMBER	DESCRIPTION	QTY.
1	EZ-01-0001	STANDARD BASE	1
2	FA11197-01206	3/4" DIA 6-1/4"L STEEL HITCH PIN	1
3	HDW-00-0035	COTTER PIN FOR 3/4" PIN	1
4	RC-01-0003	ROCK & BRUSH GRAPPLE (EZ-0009)	1



REVISIONS			
REV.	DESCRIPTION	DATE	APPROVED
A	ADDED MORE DIMENSIONS	12/23/2020	BEVAN
B	UPDATED THE DIMENSIONS & ADDED THE 3/4" PIN	1/6/2021	BEVAN

UNLESS OTHERWISE SPECIFIED:			
DIMENSIONS ARE IN INCHES	DRAWN	NAME	DATE
TOLERANCES:	CHECKED	BEVAN	11/13/2019
FRACTIONAL ±	ENG APPR.		
ANGULAR: MACH ± BEND ±	MFG APPR.		
TWO PLACE DECIMAL ±	Q.A.		
THREE PLACE DECIMAL ±	COMMENTS:		
INTERPRET GEOMETRIC TOLERANCING PER:			
MATERIAL			
FINISH			
DO NOT SCALE DRAWING			

# EZ-SPOT-UR

TITLE:  
**BRUSH GRAPPLE CONFIGURATIONS**

SIZE **A** DWG. NO. RC-01-0004-B - BRUSH CLAW CONFIGURATIONS REV **B**

SCALE: 1:24 WEIGHT: 881.47 lbs SHEET 1 OF 1

**PROPRIETARY AND CONFIDENTIAL**

THE INFORMATION CONTAINED IN THIS DRAWING IS THE SOLE PROPERTY OF EZ-SPOT-UR. ANY REPRODUCTION IN PART OR AS A WHOLE WITHOUT THE WRITTEN PERMISSION OF EZ-SPOT-UR IS PROHIBITED.

NEXT ASSY	USED ON
APPLICATION	