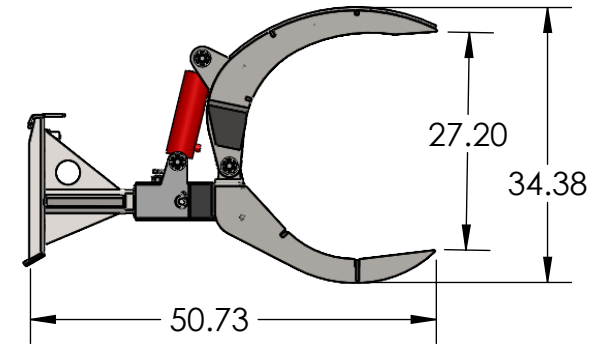
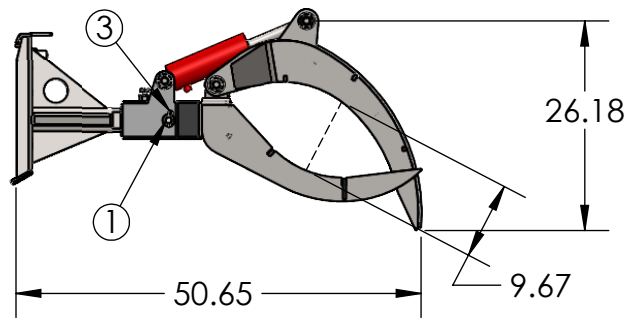
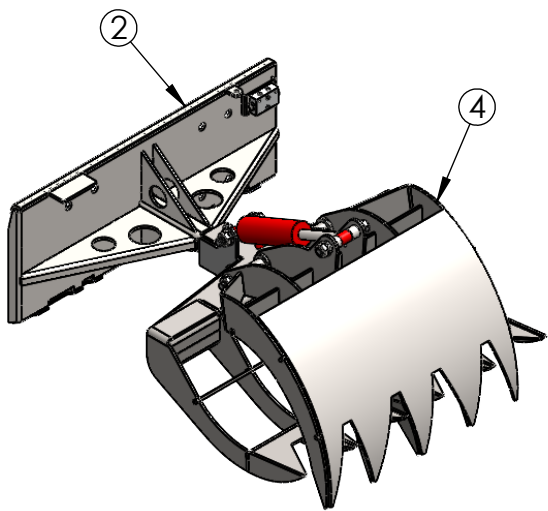
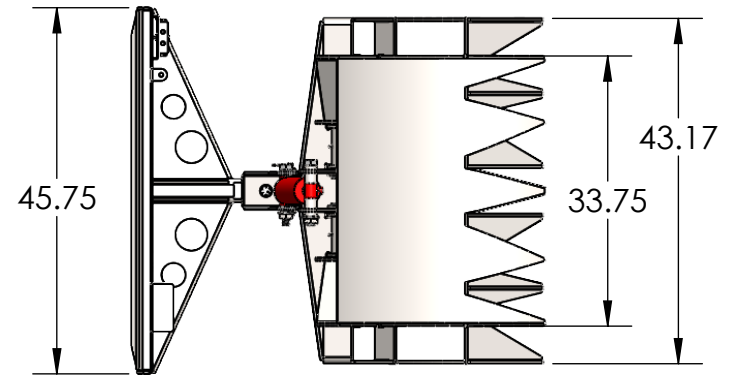
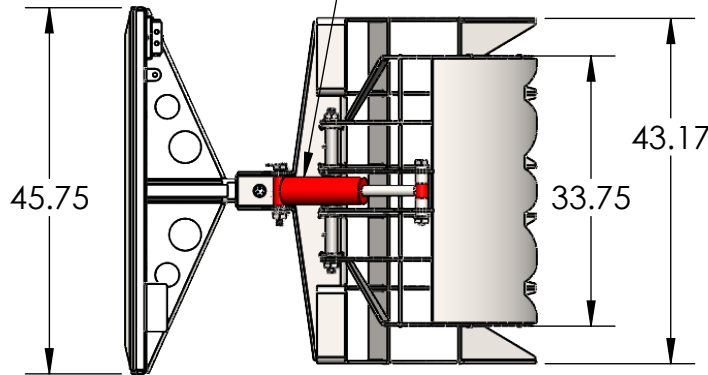


ITEM NO.	PART NUMBER	DESCRIPTION	QTY.
1	FA11197-01206	3/4" DIA 6-1/4"L STEEL HITCH PIN	1
2	FB-01-0001	WELDMENT, FIXED BASE	1
3	HDW-00-0035	COTTER PIN FOR 3/4" PIN	1
4	RC-01-0003	ROCK & BRUSH GRAPPLE (EZ-0009)	1

CLAMP CYLINDER
 3" BORE X 6" STROKE
 21,206 LB PUSH
 17,524 LB PULL



UNLESS OTHERWISE SPECIFIED:

DIMENSIONS ARE IN INCHES
 TOLERANCES:
 FRACTIONAL ±
 ANGULAR: MACH ± BEND ±
 TWO PLACE DECIMAL ±
 THREE PLACE DECIMAL ±

INTERPRET GEOMETRIC TOLERANCING PER:

MATERIAL

FINISH

DO NOT SCALE DRAWING

	NAME	DATE
DRAWN	BEVAN	8/30/2021
CHECKED		
ENG APPR.		
MFG APPR.		

Q.A.

COMMENTS:

EZ-SPOT-UR

TITLE:
 BRUSH CLAW ON THE FIXED
 BASE

SIZE	DWG. NO.	REV
A	RC-01-0022 - BRUSH CLAW ON THE FIXED BASE	

SCALE: 1:24 WEIGHT: 627.80 LBS SHEET 1 OF 1

PROPRIETARY AND CONFIDENTIAL

THE INFORMATION CONTAINED IN THIS DRAWING IS THE SOLE PROPERTY OF EZ-SPOT-UR. ANY REPRODUCTION IN PART OR AS A WHOLE WITHOUT THE WRITTEN PERMISSION OF EZ-SPOT-UR IS PROHIBITED.

NEXT ASSY	USED ON	APPLICATION