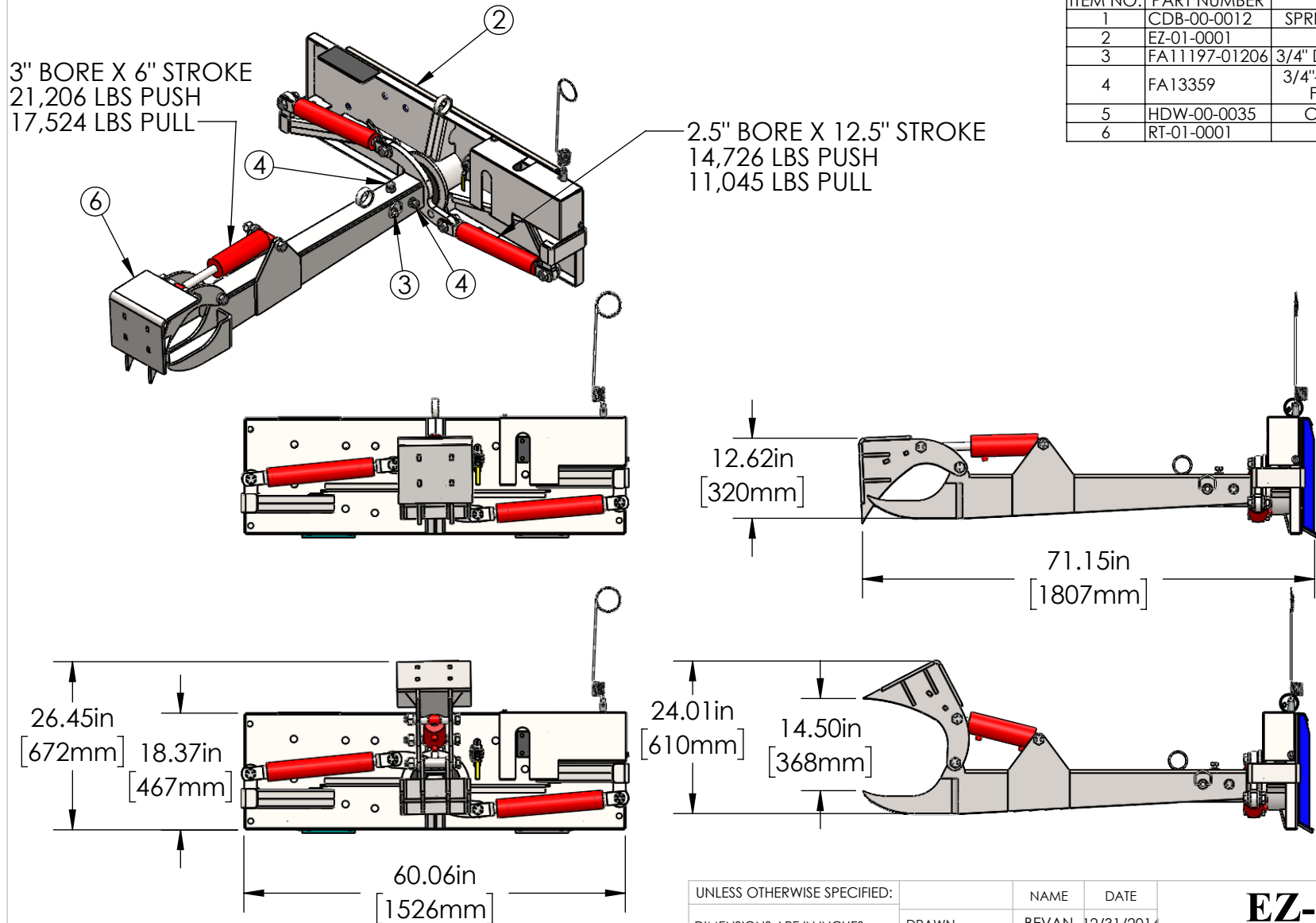


3" BORE X 6" STROKE  
21,206 LBS PUSH  
17,524 LBS PULL

2.5" BORE X 12.5" STROKE  
14,726 LBS PUSH  
11,045 LBS PULL

ITEM NO.	PART NUMBER	DESCRIPTION	QTY.
1	CDB-00-0012	SPRING FOR SPRING HOSE KIT	1
2	EZ-01-0001	STANDARD BASE	1
3	FA11197-01206	3/4" DIA 6-1/4"L STEEL HITCH PIN	1
4	FA13359	3/4"-10 x 1-1/2" GRADE 5 ZINC FINISH HEX CAP SCREW	2
5	HDW-00-0035	COTTER PIN FOR 3/4" PIN	1
6	RT-01-0001	RAIL TOOL ASSEMBLY	1



UNLESS OTHERWISE SPECIFIED:

DIMENSIONS ARE IN INCHES  
TOLERANCES:  
FRACTIONAL ±  
ANGULAR: MACH ± BEND ±  
TWO PLACE DECIMAL ±  
THREE PLACE DECIMAL ±

INTERPRET GEOMETRIC TOLERANCING PER:

MATERIAL

FINISH

DO NOT SCALE DRAWING

	NAME	DATE
DRAWN	BEVAN	12/31/2014
CHECKED		
ENG APPR.		
MFG APPR.		
Q.A.		

COMMENTS:

**EZ-SPOT-UR**

TITLE:

**RAIL TOOL WITH STANDARD BASE**

SIZE	DWG. NO.	REV
<b>A</b>	RT-01-0004 - RAIL TOOL WITH STANDARD BASE	<b>B</b>

SCALE: 1:24 WEIGHT: 764.10 LBS SHEET 1 OF 2

REVISIONS			
REV.	DESCRIPTION	DATE	APPROVED
A	UPDATED CYL BRACKET SO JAWS CLOSE TOGETHER MORE	4/17/2019	BEVAN
B	ADDED CYLINDER INFORMATION	9/10/2021	BEVAN

**PROPRIETARY AND CONFIDENTIAL**

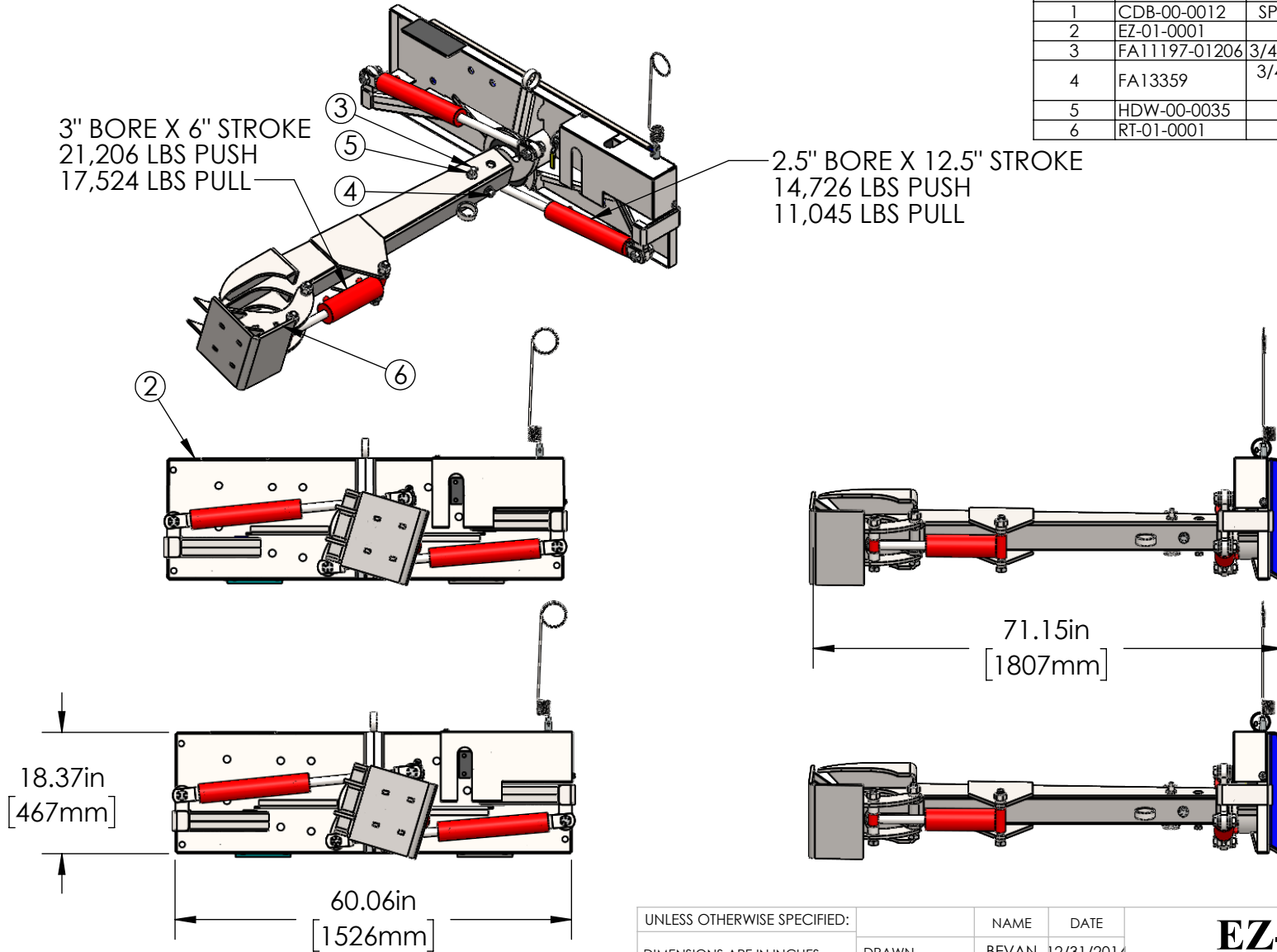
THE INFORMATION CONTAINED IN THIS DRAWING IS THE SOLE PROPERTY OF EZ-SPOT-UR. ANY REPRODUCTION IN PART OR AS A WHOLE WITHOUT THE WRITTEN PERMISSION OF EZ-SPOT-UR IS PROHIBITED.

NEXT ASSY	USED ON
APPLICATION	

ITEM NO.	PART NUMBER	DESCRIPTION	QTY.
1	CDB-00-0012	SPRING FOR SPRING HOSE KIT	1
2	EZ-01-0001	STANDARD BASE	1
3	FA11197-01206	3/4" DIA 6-1/4"L STEEL HITCH PIN	1
4	FA13359	3/4"-10 x 1-1/2" GRADE 5 ZINC FINISH HEX CAP SCREW	2
5	HDW-00-0035	COTTER PIN FOR 3/4" PIN	1
6	RT-01-0001	RAIL TOOL ASSEMBLY	1

3" BORE X 6" STROKE  
21,206 LBS PUSH  
17,524 LBS PULL

2.5" BORE X 12.5" STROKE  
14,726 LBS PUSH  
11,045 LBS PULL



UNLESS OTHERWISE SPECIFIED:		NAME	DATE	<b>EZ-SPOT-UR</b>	
DIMENSIONS ARE IN INCHES		DRAWN	BEVAN 12/31/2014		TITLE: <b>RAIL TOOL WITH STANDARD BASE</b>
TOLERANCES:		CHECKED			
FRACTIONAL ±		ENG APPR.			
ANGULAR: MACH ± BEND ±		MFG APPR.			
TWO PLACE DECIMAL ±		Q.A.		SIZE DWG. NO. REV	
THREE PLACE DECIMAL ±		COMMENTS:		<b>A</b> RT-01-0004 - RAIL TOOL WITH STANDARD BASE <b>B</b>	
INTERPRET GEOMETRIC TOLERANCING PER:				SCALE: 1:24 WEIGHT: 764.10 LBS SHEET 2 OF 2	
MATERIAL					
FINISH					
NEXT ASSY	USED ON				
APPLICATION		DO NOT SCALE DRAWING			

**PROPRIETARY AND CONFIDENTIAL**

THE INFORMATION CONTAINED IN THIS DRAWING IS THE SOLE PROPERTY OF EZ-SPOT-UR. ANY REPRODUCTION IN PART OR AS A WHOLE WITHOUT THE WRITTEN PERMISSION OF EZ-SPOT-UR IS PROHIBITED.