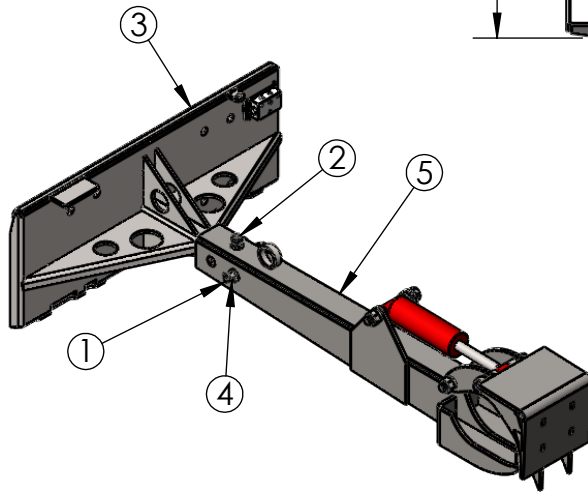
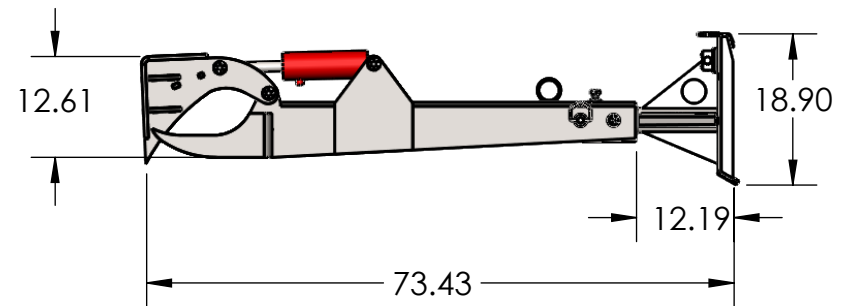
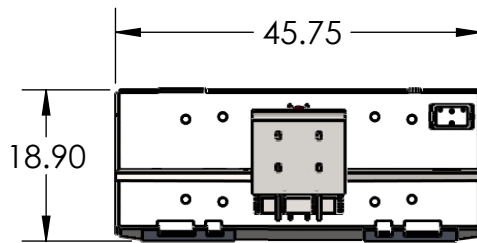
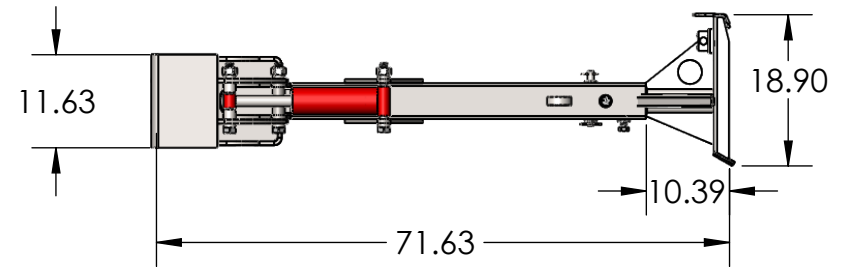
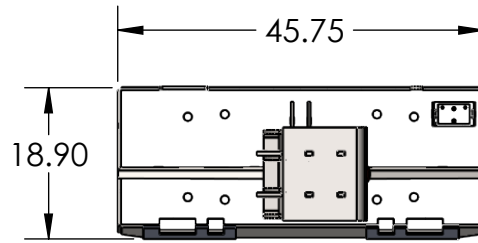


ITEM NO.	PART NUMBER	DESCRIPTION	QTY.
1	FA11197-01206	3/4" DIA 6-1/4"L STEEL HITCH PIN	1
2	FA13359	3/4"-10 x 1-1/2" Grade 5 Zinc Finish Hex Cap Screw	2
3	FB-01-0001	WELDMENT, FIXED BASE	1
4	HDW-00-0035	COTTER PIN	1
5	RT-01-0001	RAIL TOOL ASSEMBLY	1

REVISIONS			
REV.	DESCRIPTION	DATE	APPROVED
A	ADDED THE BOLTS FOR THE RECEIVER	9/28/2018	BEVAN
B	UPDATED THE CYL BRACKET LOCATION SO THE JAWS CLOSE TOGETHER MORE	4/17/2019	BEVAN
C	UPDATED THE PART NUMBERS	5/21/2019	BEVAN



UNLESS OTHERWISE SPECIFIED:

DIMENSIONS ARE IN INCHES  
 TOLERANCES:  
 FRACTIONAL ±  
 ANGULAR: MACH ± BEND ±  
 TWO PLACE DECIMAL ±  
 THREE PLACE DECIMAL ±

INTERPRET GEOMETRIC  
 TOLERANCING PER:

MATERIAL

FINISH

DO NOT SCALE DRAWING

	NAME	DATE
DRAWN	BEVAN	12/28/2015
CHECKED		
ENG APPR.		
MFG APPR.		
Q.A.		
COMMENTS:		

# EZ-SPOT-UR

TITLE:  
 RAIL TOOL ON FIXED BASE

SIZE **A** DWG. NO. RT-01-0005 - RAIL TOOL WITH FIXED BASE REV **C**

SCALE: 1:24 WEIGHT: 508.74 LBS SHEET 1 OF 1

### PROPRIETARY AND CONFIDENTIAL

THE INFORMATION CONTAINED IN THIS DRAWING IS THE SOLE PROPERTY OF EZ-SPOT-UR. ANY REPRODUCTION IN PART OR AS A WHOLE WITHOUT THE WRITTEN PERMISSION OF EZ-SPOT-UR IS PROHIBITED.

NEXT ASSY	USED ON
APPLICATION	