

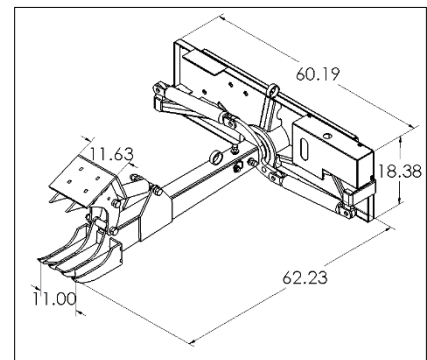
Specifications

Hydraulic Recommendations 20-30 GPM @ 3000 psi
 Hydraulic Connection Type ¾" Flush Face Coupling
 Rated Burst Pressure for Hydraulic Connections 15 ksi (103.4 MPa)
 Pressure Drop 262 psi (1.81 MPa)
 Return Pressure (starting pressure 3000 psi, 20 gpm) 2738 psi (18.88 MPa)
 Rated Weight Capacity¹ 1000 lbs (454 kg)
 Hydraulic Cylinder Information See Chart Below

| Type of Cylinder | Quantity | Bore | Rod Diameter | Stroke | Push ² | Pull ² |
|------------------|----------|-----------------|------------------|-------------------|-----------------------|-----------------------|
| Rotation | 2 | 2.5 in 64 mm | 1.25 in 32 mm | 12.5 in 318 mm | 14,726 lbs 65.5 kN | 11,045 lbs 49.1 kN |
| Clamp | 1 | 3 in 76 mm | 1.25 in 32 mm | 6 in 152 mm | 21,206 lbs 94.3 kN | 17,524 lbs 78.0 kN |

Mass of Double Cylinder Rotating Base 436 lbs (198 kg)
 Mass of Rail Tool without Rotating Base 325 lbs (147 kg)
 Rotation Angle 0° - 110° to Operator's Left
 Mounting Method Universal Quick Attach (Customizable)
 Dimensions See Picture Below (inches)

| | Max Opening | Min Opening |
|--------------------------------------|--------------------|-------------------|
| Measured from the Front of the Jaws | 14.5 in 368 mm | 0 in 0 mm |
| Measured from the Middle of the Jaws | 14.36 in 365 mm | 5.89 in 150 mm |



1. Max Weight Capacity = Machine Operating Capacity – Weight of Attachment
Should not exceed the rated weight capacity of the attachment
2. Push and Pull are based on 3000 psi at 20-30 GPM