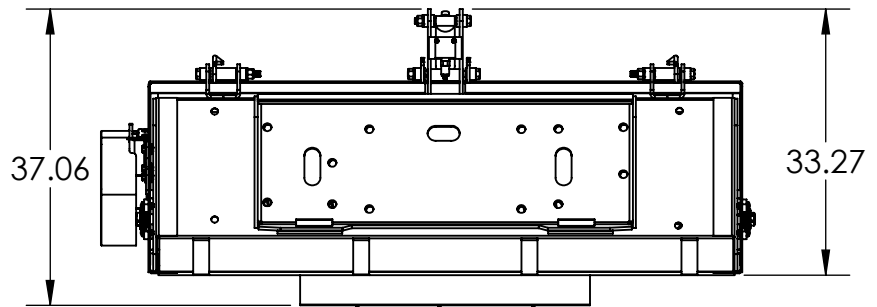
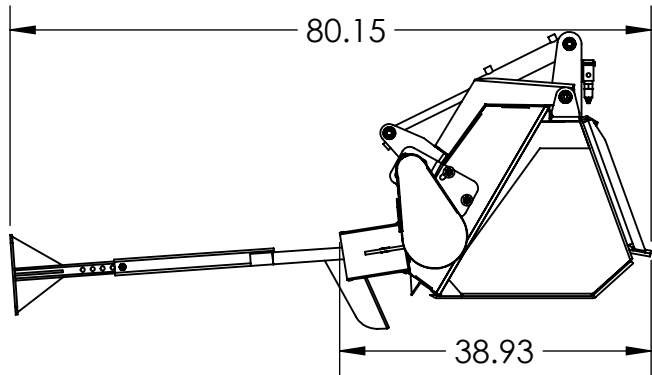
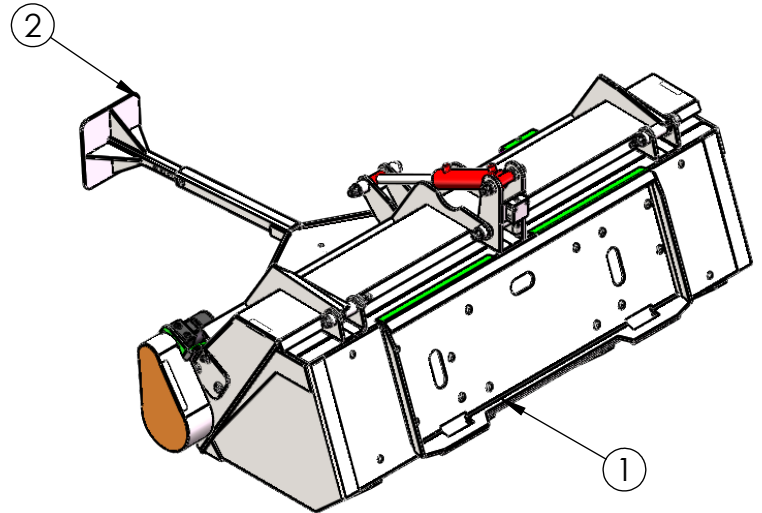
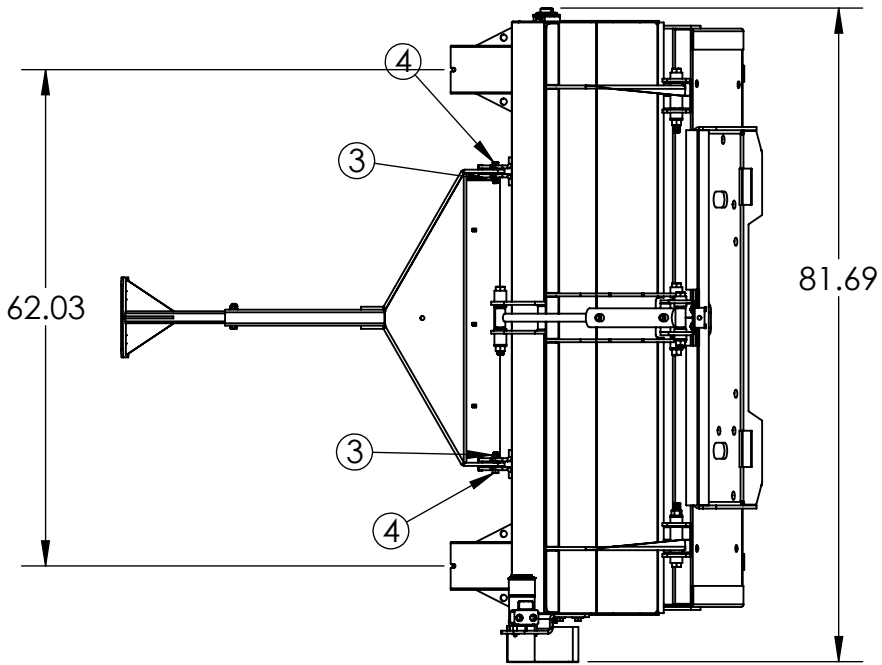


ITEM NO.	PART NUMBER	DESCRIPTION	QTY.
1	SB-01-0008	ASSY	1
2	SB-01-0006	STAND SUPPORT	1
3	FA0166990	1/2"-13 GRADE F ZINC FLANGE TOP LOCK NUT	2
4	FA15212	1/2"-13 x 2-1/4" GRADE 8 YELLOW ZINC HEX CAP SCREW	2



BUCKET CAPACITY: 0.49 CUBIC YARDS

UNLESS OTHERWISE SPECIFIED:

DIMENSIONS ARE IN INCHES
TOLERANCES:
FRACTIONAL ±
ANGULAR: MACH ± BEND ±
TWO PLACE DECIMAL ±
THREE PLACE DECIMAL ±

INTERPRET GEOMETRIC
TOLERANCING PER:

MATERIAL
SEE DETAILS

FINISH

DO NOT SCALE DRAWING

NAME DATE

DRAWN
CHECKED
ENG APPR.
MFG APPR.

Q.A.
COMMENTS:

EZ-SPOT-UR

TITLE:

ASSEMBLY

SIZE DWG. NO. REV
A SB-01-0010 - SPEED BAGGER REV
ASSEMBLY WITH SUPPORT STAND **B**

SCALE: 1:24 WT: 781.80 LBS SHEET 1 OF 1

REVISIONS			
REV.	DESCRIPTION	DATE	APPROVED
A	ADDED THE NUTS AND BOLTS	7/31/2018	BEVAN
B	ADDED THE BUCKET CAPACITY	3/17/2021	BEVAN

PROPRIETARY AND CONFIDENTIAL
THE INFORMATION CONTAINED IN THIS
DRAWING IS THE SOLE PROPERTY OF
EZ-SPOT-UR. ANY REPRODUCTION IN PART
OR AS A WHOLE WITHOUT THE WRITTEN
PERMISSION OF EZ-SPOT-UR IS PROHIBITED.

NEXT ASSY

USED ON

APPLICATION