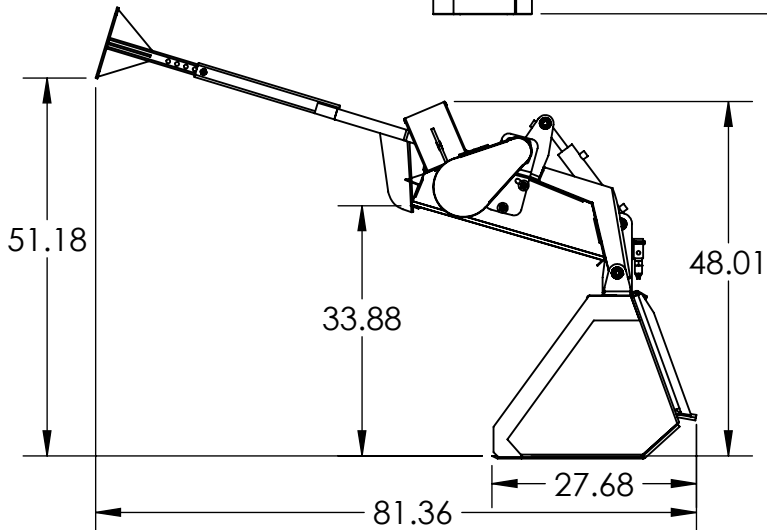
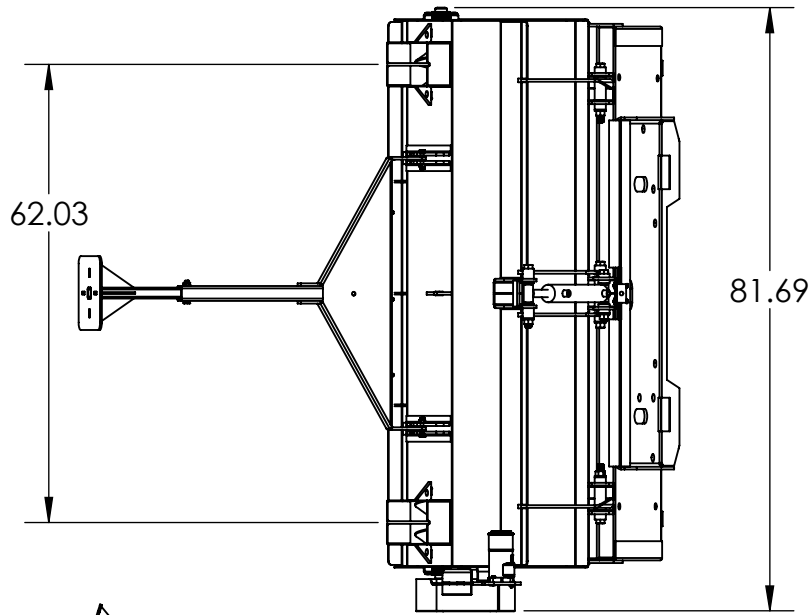
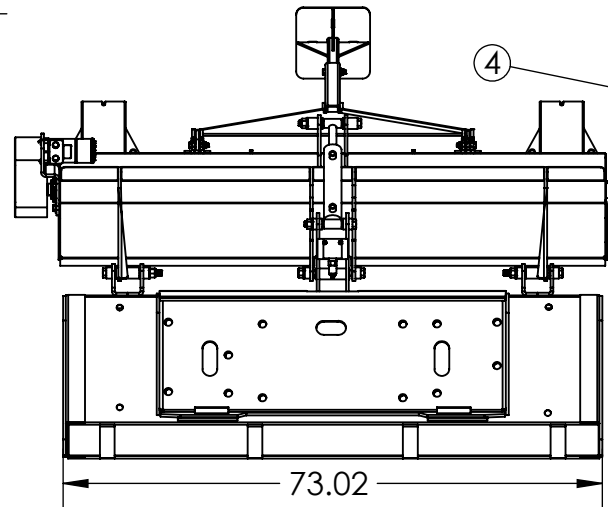
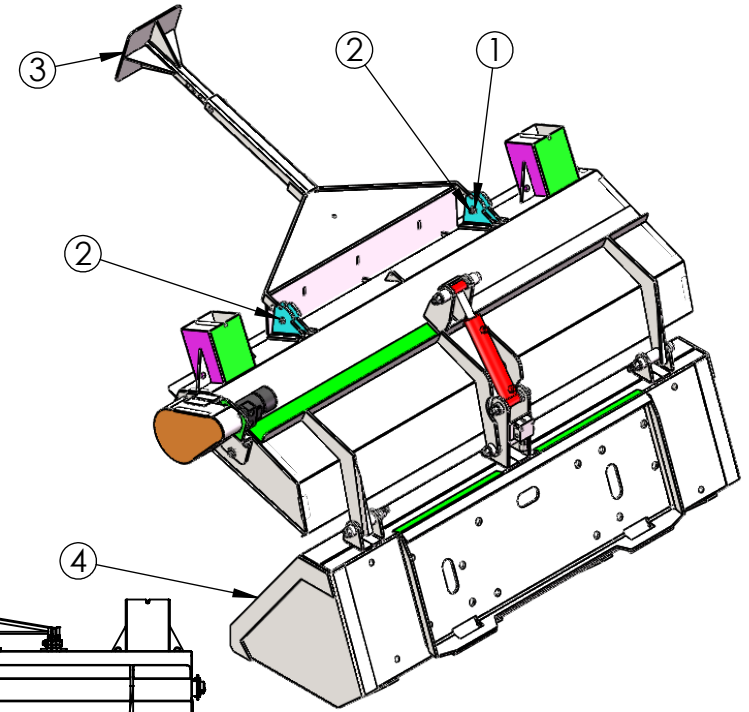


REVISIONS			
REV.	DESCRIPTION	DATE	APPROVED
A	ADDED THE BUCKET CAPACITY	3/17/2021	BEVAN



**BUCKET CAPACITY: 0.49 CUBIC YARDS**



ITEM NO.	PART NUMBER	DESCRIPTION	QTY.
1	FA0166990	1/2"-13 GRADE F ZINC FLANGE TOP LOCK NUT	2
2	FA15212	1/2"-13 x 2-1/4" GRADE 8 YELLOW ZINC HEX CAP SCREW	2
3	SB-01-0006	STAND, SUPPORT	1
4	SB-01-0008	ASSY	1

UNLESS OTHERWISE SPECIFIED:

DIMENSIONS ARE IN INCHES  
 TOLERANCES:  
 FRACTIONAL ±  
 ANGULAR: MACH ± BEND ±  
 TWO PLACE DECIMAL ±  
 THREE PLACE DECIMAL ±

INTERPRET GEOMETRIC  
 TOLERANCING PER:  
 MATERIAL  
 SEE DETAILS  
 FINISH

NEXT ASSY	USED ON
APPLICATION	

DO NOT SCALE DRAWING

	NAME	DATE
DRAWN	BEVAN	2/22/2016
CHECKED		
ENG APPR.		
MFG APPR.		
Q.A.		

COMMENTS:

**EZ-SPOT-UR**

TITLE:

**ASSEMBLY**

SIZE **A** DWG. NO. SB-01-0010-B - SPEED BAGGER ASSEMBLY WITH SUPPORT STAND

REV **A**

SCALE: 1:26 WEIGHT: 781.80 LBS SHEET 1 OF 1

**PROPRIETARY AND CONFIDENTIAL**  
 THE INFORMATION CONTAINED IN THIS DRAWING IS THE SOLE PROPERTY OF EZ-SPOT-UR. ANY REPRODUCTION IN PART OR AS A WHOLE WITHOUT THE WRITTEN PERMISSION OF EZ-SPOT-UR IS PROHIBITED.