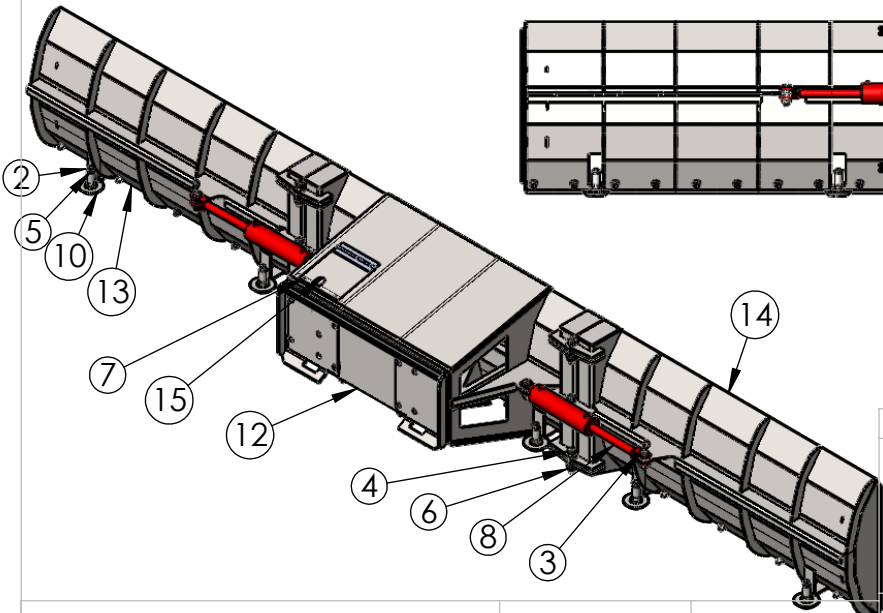
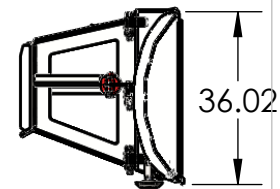
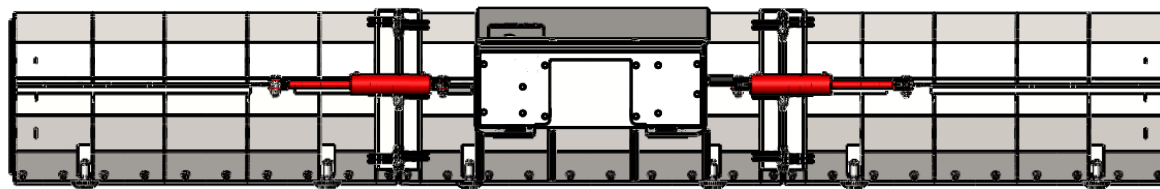
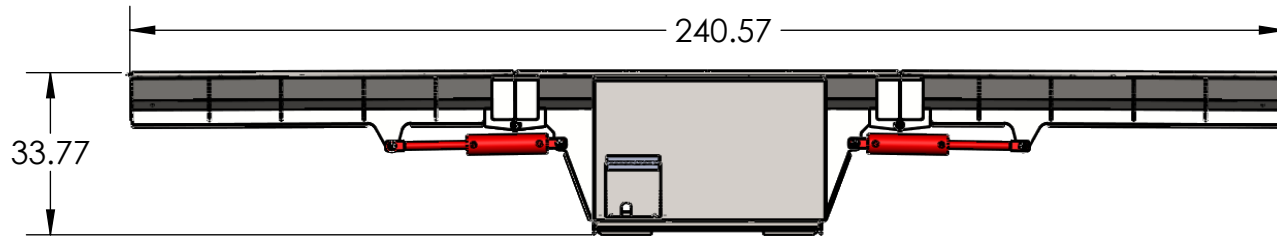


REVISIONS			
REV.	DESCRIPTION	DATE	APPROVED
A	ADDED 3/4" PINS FOR THE FRONT OF PLOW	5/19/2016	BEVAN
B	ADDED A SHAFT FOR ROTATION	7/1/2016	BEVAN
C	MOVED HUB SO IT IS ON THE INSIDE	7/8/2016	BEVAN
D	UPDATED BASE	8/10/2016	BEVAN
E	UPDATED HUB TO THE HUB FOR THE WALK BEHIND BASE	9/6/2016	BEVAN
F	ADDED SPRINGS FOR THE PLOW SHOES	9/29/2016	BEVAN
G	REMOVED THE SHAFT ROTATOR AND PLACED IT IN THE WELDMENT FOR THE SNOW PLOW BASE	10/7/2016	BEVAN
H	CHANGED THE HUB TO THE HEAVY DUTY POLE CLAW HUB AND A MODIFIED HDPC SHAFT	10/20/2016	BEVAN
J	REMOVED THE ROTATION HUB, SHAFT, & CYLINDER	10/24/2016	BEVAN
K	ADDED THE VALVE COVER	11/9/2016	BEVAN
L	UPDATED THE PART NUMBERS FOR THE NUTS, BOLTS, CYLINDERS, AND VALVE	3/23/2020	BEVAN

ITEM NO.	PART NUMBER	DESCRIPTION	QTY.
1	FA13015	1/4"-20 x 3" GRADE 5 ZINC HEX CAP SCREW	2
2	FA13109	3/8"-16 x 1-1/2" GRADE 5 ZINC HEX CAP SCREW	6
3	FA15467	1"-8 x 3.5" GRADE 8 YELLOW ZINC HEX CAP SCREW	4
4	FA15473	1"-8 x 5" GRADE 8 YELLOW ZINC HEX CAP SCREW	6
5	FA37024	3/8"-16 GRADE 2 ZINC FINISH NE STEEL NYLON INSERT LOCK NUT	6
6	FA0166995	1"-8 GRADE F ZINC FINISH STEEL FLANGE TOP LOCK NUT	10
7	FA110120304	1/4"-20 x 1" GRADE 5 ZINC HEX CAP SCREW	2
8	P-MP-EZS0011	4 x 12.5 x 1.75 CYLINDER	2
9	P-PS-VA-0860-03-1	MAIN SELECTOR VALVE	1
10	SNPL-00-047	PLOW SHOE	6
11	SNPL-00-051 COMPRESSED 1.06 IN	SPRING; 1.25" LONG, 1.312" OD, 0.125" WIRE DIAM.	6
12	SNPL-01-001	CENTER SNOW PLOW BLADE WELDMENT	1
13	SNPL-01-004	LEFT SNOW PLOW BLADE WELDMENT	1
14	SNPL-01-005	RIGHT SNOW PLOW BLADE WELDMENT	1
15	SNPL-01-014	VALVE COVER WELDMENT	1



UNLESS OTHERWISE SPECIFIED:

DIMENSIONS ARE IN INCHES
 TOLERANCES:
 FRACTIONAL ±
 ANGULAR: MACH ± BEND ±
 TWO PLACE DECIMAL ±
 THREE PLACE DECIMAL ±

INTERPRET GEOMETRIC TOLERANCING PER:
 MATERIAL

FINISH

DO NOT SCALE DRAWING

	NAME	DATE
DRAWN	BEVAN	12/9/2015
CHECKED		
ENG APPR.		
MFG APPR.		
Q.A.		
COMMENTS:		

EZ-SPOT-UR

TITLE:

SNOW PLOW ASSEMBLY

SIZE	DWG. NO.	REV
A	SNPL-01-003 - SNOW PLOW ASSEMBLY	L

SCALE: 1:40 WEIGHT: 2083.70 LBS SHEET 1 OF 2

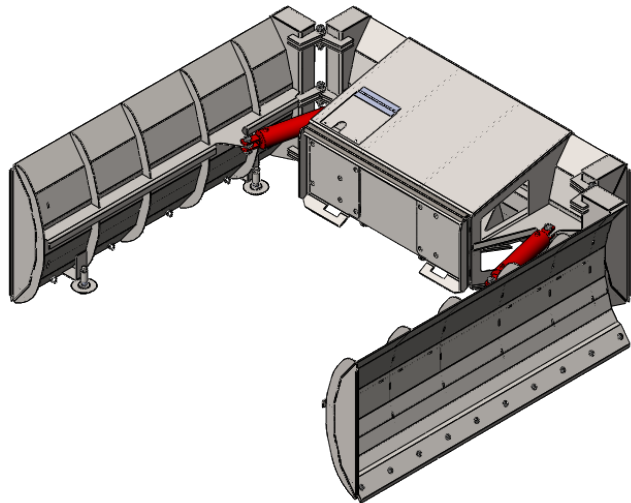
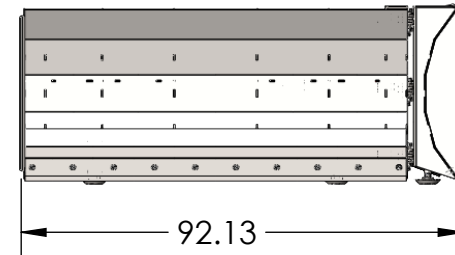
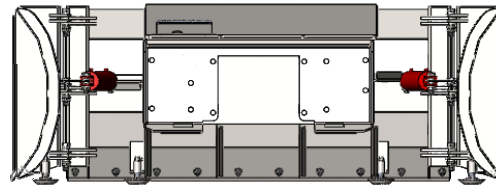
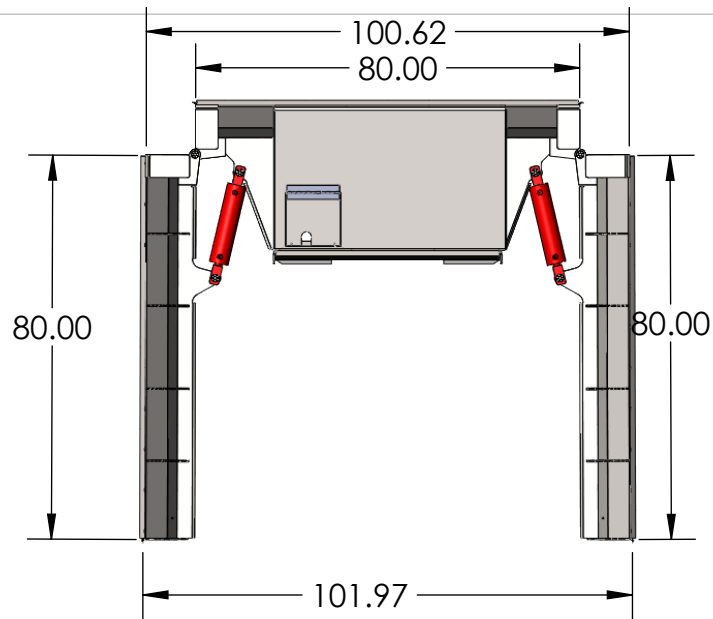
PROPRIETARY AND CONFIDENTIAL

THE INFORMATION CONTAINED IN THIS DRAWING IS THE SOLE PROPERTY OF EZ-SPOT-UR. ANY REPRODUCTION IN PART OR AS A WHOLE WITHOUT THE WRITTEN PERMISSION OF EZ-SPOT-UR IS PROHIBITED.

NEXT ASSY

USED ON

APPLICATION



UNLESS OTHERWISE SPECIFIED:		NAME	DATE
DIMENSIONS ARE IN INCHES		DRAWN	BEVAN 12/9/2015
TOLERANCES:		CHECKED	
FRACTIONAL ±		ENG APPR.	
ANGULAR: MACH ± BEND ±		MFG APPR.	
TWO PLACE DECIMAL ±		Q.A.	
THREE PLACE DECIMAL ±		COMMENTS:	
INTERPRET GEOMETRIC TOLERANCING PER:			
MATERIAL			
FINISH			

EZ-SPOT-UR		
TITLE:		
SNOW PLOW ASSEMBLY		
SIZE	DWG. NO.	REV
A	SNPL-01-003 - SNOW PLOW ASSEMBLY	L
SCALE: 1:40	WEIGHT: 2083.70 LBS	SHEET 2 OF 2

PROPRIETARY AND CONFIDENTIAL
 THE INFORMATION CONTAINED IN THIS DRAWING IS THE SOLE PROPERTY OF EZ-SPOT-UR. ANY REPRODUCTION IN PART OR AS A WHOLE WITHOUT THE WRITTEN PERMISSION OF EZ-SPOT-UR IS PROHIBITED.

NEXT ASSY	USED ON
APPLICATION	

DO NOT SCALE DRAWING