

ITEM NO.	PART NUMBER	DESCRIPTION	QTY.
1	Bobcat T750		1
2	SNPL-01-003	SNOW PLOW ASSEMBLY	1

UNLESS OTHERWISE SPECIFIED:

DIMENSIONS ARE IN INCHES
 TOLERANCES:
 FRACTIONAL ±
 ANGULAR: MACH ± BEND ±
 TWO PLACE DECIMAL ±
 THREE PLACE DECIMAL ±

INTERPRET GEOMETRIC
 TOLERANCING PER:

MATERIAL

FINISH

DO NOT SCALE DRAWING

	NAME	DATE
DRAWN	BEVAN	12/9/2015
CHECKED		
ENG APPR.		
MFG APPR.		
Q.A.		
COMMENTS:		

EZ-SPOT-UR

TITLE:

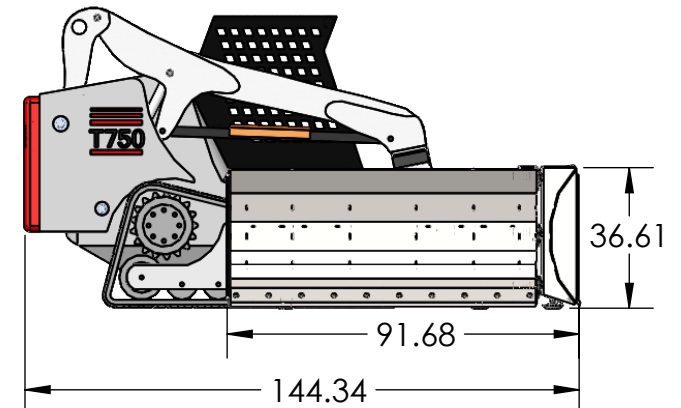
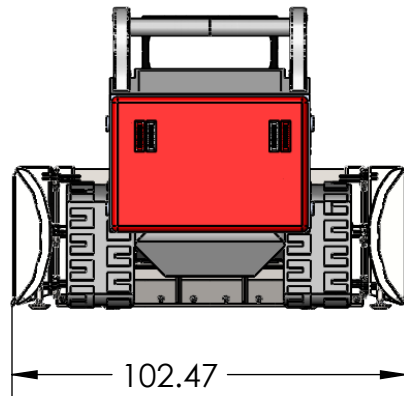
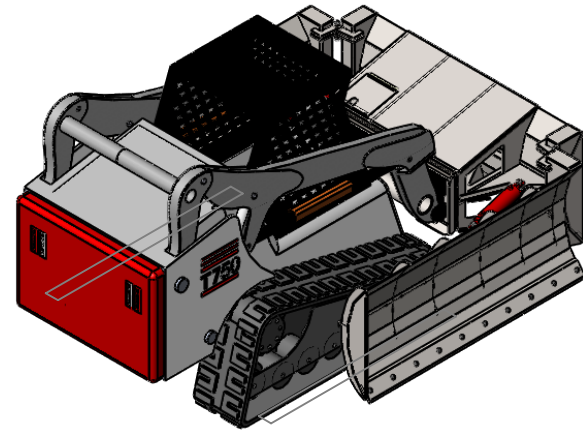
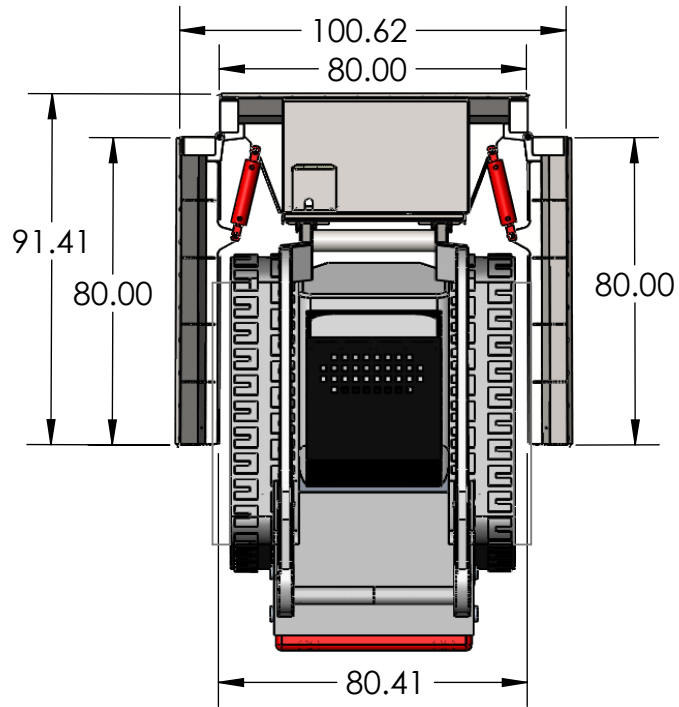
BOBCAT T750 WITH SNOW
 PLOW

SIZE	DWG. NO.	REV
A	SNPL-01-010 - SNOW PLOW WITH SKID STEER	

SCALE: 1:50 WEIGHT: 19757.63 LBS SHEET 1 OF 2

PROPRIETARY AND CONFIDENTIAL
 THE INFORMATION CONTAINED IN THIS
 DRAWING IS THE SOLE PROPERTY OF
 EZ-SPOT-UR. ANY REPRODUCTION IN PART
 OR AS A WHOLE WITHOUT THE WRITTEN
 PERMISSION OF EZ-SPOT-UR IS PROHIBITED.

NEXT ASSY	USED ON	APPLICATION



UNLESS OTHERWISE SPECIFIED:		NAME	DATE	EZ-SPOT-UR
DIMENSIONS ARE IN INCHES TOLERANCES: FRACTIONAL ± ANGULAR: MACH ± BEND ± TWO PLACE DECIMAL ± THREE PLACE DECIMAL ±		DRAWN	BEVAN 12/9/2015	
INTERPRET GEOMETRIC TOLERANCING PER:		CHECKED		TITLE:
MATERIAL		ENG APPR.		BOBCAT T750 WITH SNOW PLOW
FINISH		MFG APPR.		
NEXT ASSY		Q.A.		SIZE DWG. NO. REV
USED ON		COMMENTS:		A SNPL-01-010 - SNOW PLOW WITH SKID STEER
APPLICATION				SCALE: 1:50 WEIGHT: 19757.63 LBS SHEET 2 OF 2
DO NOT SCALE DRAWING				

PROPRIETARY AND CONFIDENTIAL

THE INFORMATION CONTAINED IN THIS DRAWING IS THE SOLE PROPERTY OF EZ-SPOT-UR. ANY REPRODUCTION IN PART OR AS A WHOLE WITHOUT THE WRITTEN PERMISSION OF EZ-SPOT-UR IS PROHIBITED.