

Speed Bagger Specifications

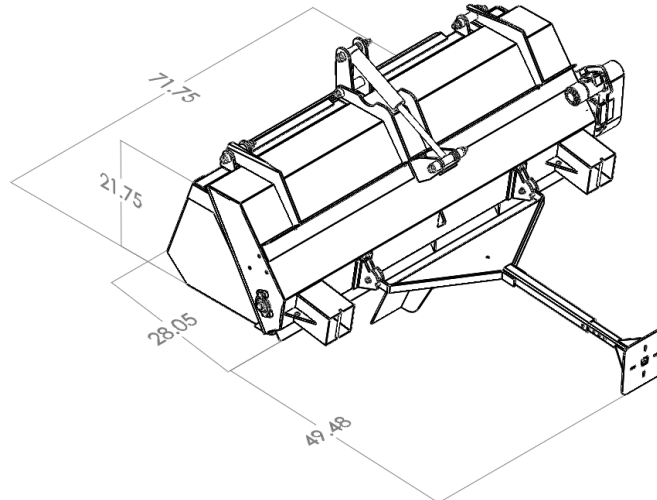
Hydraulic Recommendations..... 20-30 GPM @ 3000 psi
 Hydraulic Connection Type ¾" Flush Face Coupling
 Rated Burst Pressure for Hydraulic Connections..... 15 ksi (103.4 MPa)
 Bucket Capacity..... 0.49 yd³ (0.37 m³)
 Hydraulic Cylinder Information..... See Chart Below

Type of Cylinder	Quantity	Bore	Rod Diameter	Stroke	Push ¹	Pull ¹
Clamp	1	2 in 51 mm	1 in 25 mm	8 in 203 mm	9,425 lbs 41.9 kN	7,069 lbs 31.4 kN

Hydraulic Motor See Chart Below

Port Size	Displacement	Max Speed	Flow	Torque	Pressure
½ NPTF	9.7 in ³ /r	353 RPM	15 GPM	2059 lb-in	1650 ΔPSI

Mass of Speed Bagger..... 782 lbs (355 kg)
 Mounting Method..... Universal Quick Attach (Customizable)
 Basic Dimensions See Picture Below



1. Push and Pull are based on 3000 psi at 20-30 GPM
2. Max Weight Capacity = Machine Operating Capacity – Weight of Attachment
Should not exceed the rated weight capacity of the attachment