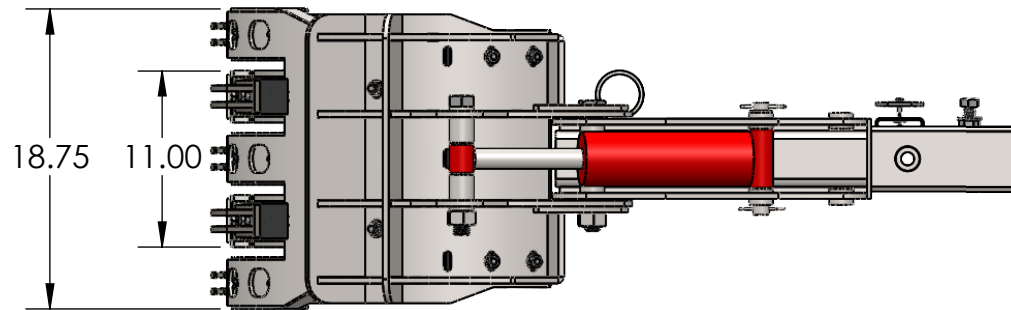
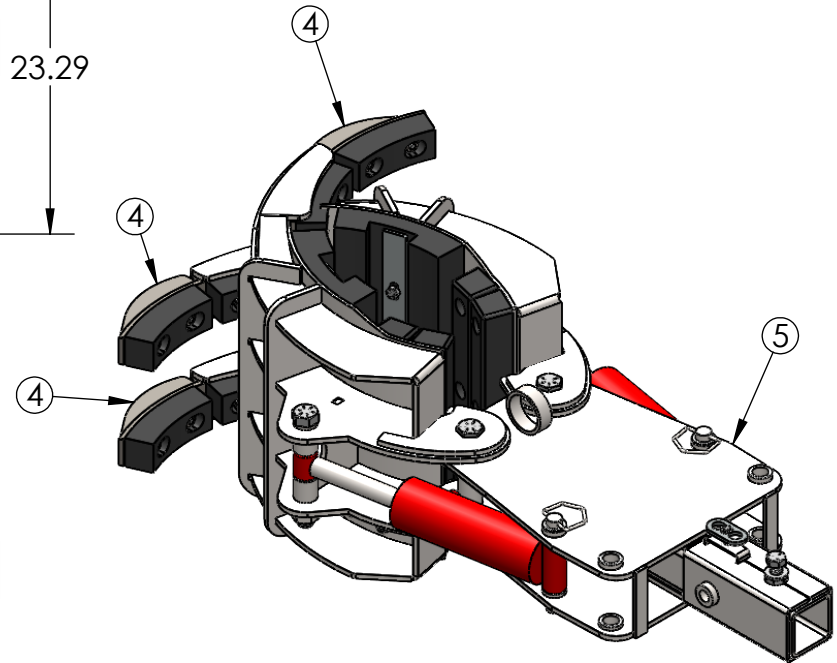
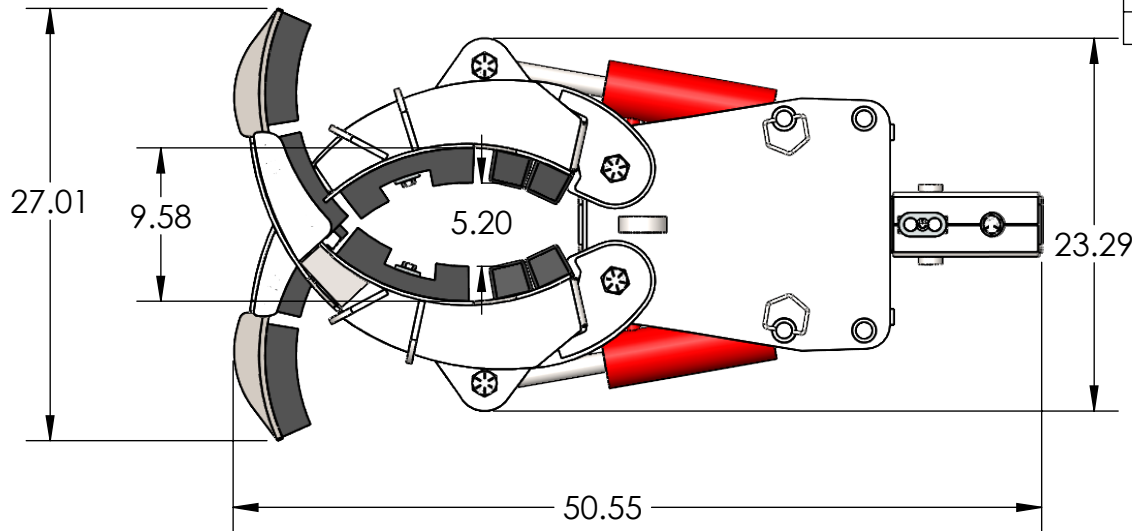


ITEM NO.	PART NUMBER	DESCRIPTION	QTY.
1	FA13161	7/16"-14 x 2" GRADE 5 ZINC HEX CAP SCREW	10
2	FA13163	7/16"-14 x 2-1/2" GRADE 5 ZINC HEX CAP SCREW	10
3	FA0166990	1/2"-13 GRADE F ZINC FLANGE TOP LOCK NUT	20
4	TH-01-0003	TIP EXTENSION WELDMENT	5
5	TH-01-0004	ASSY, (CLOSED FRONT PIVOT)	1



UNLESS OTHERWISE SPECIFIED:

DIMENSIONS ARE IN INCHES  
 TOLERANCES:  
 FRACTIONAL ±  
 ANGULAR: MACH ± BEND ±  
 TWO PLACE DECIMAL ±  
 THREE PLACE DECIMAL ±

INTERPRET GEOMETRIC  
 TOLERANCING PER:

MATERIAL

FINISH

DO NOT SCALE DRAWING

DRAWN

CHECKED

ENG APPR.

MFG APPR.

Q.A.

COMMENTS:

NAME

DATE

BEVAN

8/17/2021

# EZ-SPOT-UR

TITLE:

5 FINGER TREE HAND WITH  
 INSERTS

SIZE  
**A**

DWG. NO.  
 TH-01-0025-B - 5 FINGER TREE  
 HAND WITH FINGERTIP  
 EXTENSIONS

REV

SCALE: 1:12

WEIGHT: 451.08 LBS

SHEET 1 OF 4

**PROPRIETARY AND CONFIDENTIAL**

THE INFORMATION CONTAINED IN THIS  
 DRAWING IS THE SOLE PROPERTY OF  
 EZ-SPOT-UR. ANY REPRODUCTION IN PART  
 OR AS A WHOLE WITHOUT THE WRITTEN  
 PERMISSION OF EZ-SPOT-UR IS PROHIBITED.

NEXT ASSY

USED ON

APPLICATION

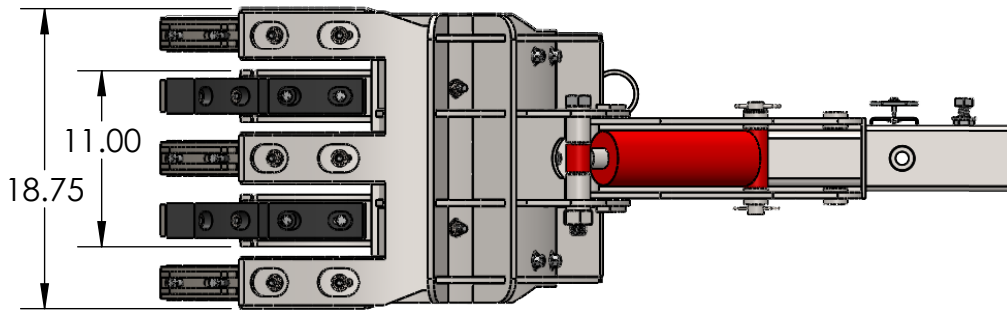
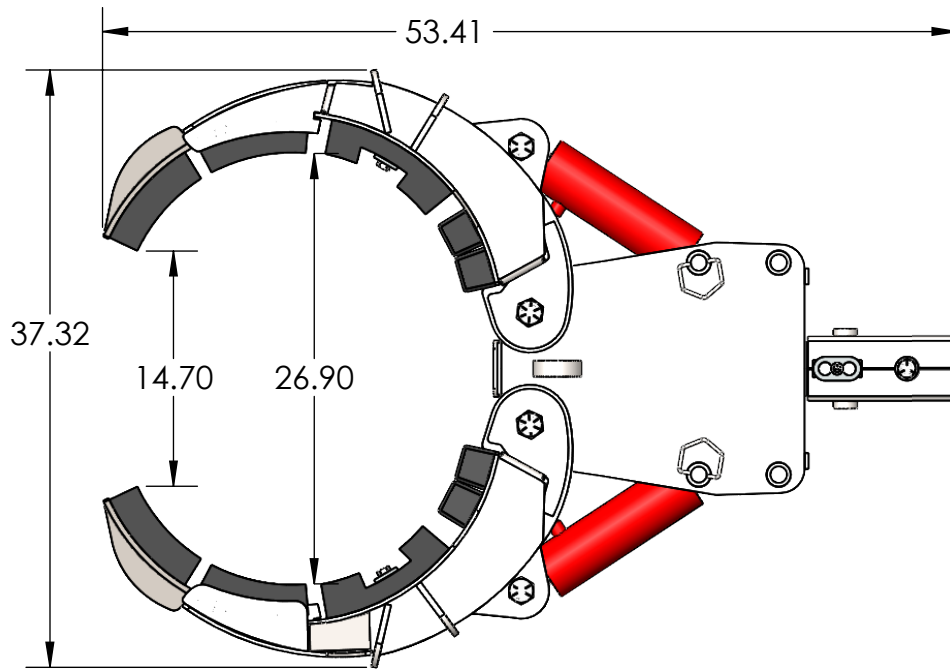
5

4

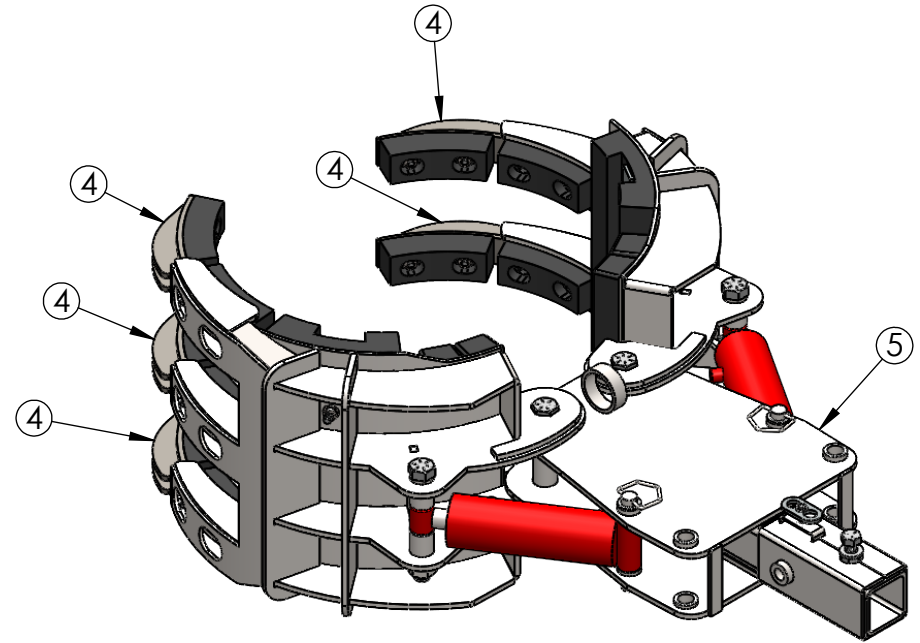
3

2

1



ITEM NO.	PART NUMBER	DESCRIPTION	QTY.
1	FA13161	7/16"-14 x 2" GRADE 5 ZINC HEX CAP SCREW	10
2	FA13163	7/16"-14 x 2-1/2" GRADE 5 ZINC HEX CAP SCREW	10
3	FA0166990	1/2"-13 GRADE F ZINC FLANGE TOP LOCK NUT	20
4	TH-01-0003	TIP EXTENSION WELDMENT	5
5	TH-01-0004	ASSY, (OPEN FRONT PIVOT)	1



UNLESS OTHERWISE SPECIFIED:

DIMENSIONS ARE IN INCHES  
 TOLERANCES:  
 FRACTIONAL ±  
 ANGULAR: MACH ± BEND ±  
 TWO PLACE DECIMAL ±  
 THREE PLACE DECIMAL ±

INTERPRET GEOMETRIC  
 TOLERANCING PER:

MATERIAL

FINISH

DO NOT SCALE DRAWING

	NAME	DATE
DRAWN	BEVAN	8/17/2021
CHECKED		
ENG APPR.		
MFG APPR.		
Q.A.		
COMMENTS:		

# EZ-SPOT-UR

TITLE:

5 FINGER TREE HAND WITH  
 INSERTS

SIZE	DWG. NO.	REV
<b>A</b>	TH-01-0025-B - 5 FINGER TREE HAND WITH FINGERTIP EXTENSIONS	

SCALE: 1:12 WEIGHT: 451.08 LBS SHEET 2 OF 4

**PROPRIETARY AND CONFIDENTIAL**

THE INFORMATION CONTAINED IN THIS  
 DRAWING IS THE SOLE PROPERTY OF  
 EZ-SPOT-UR. ANY REPRODUCTION IN PART  
 OR AS A WHOLE WITHOUT THE WRITTEN  
 PERMISSION OF EZ-SPOT-UR IS PROHIBITED.

NEXT ASSY	USED ON	APPLICATION

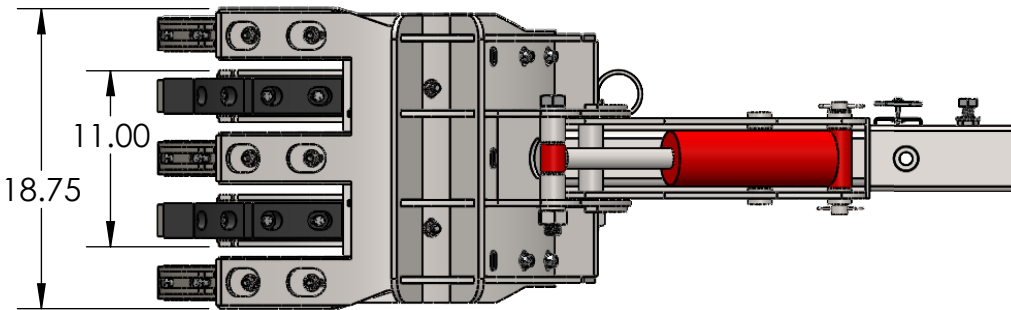
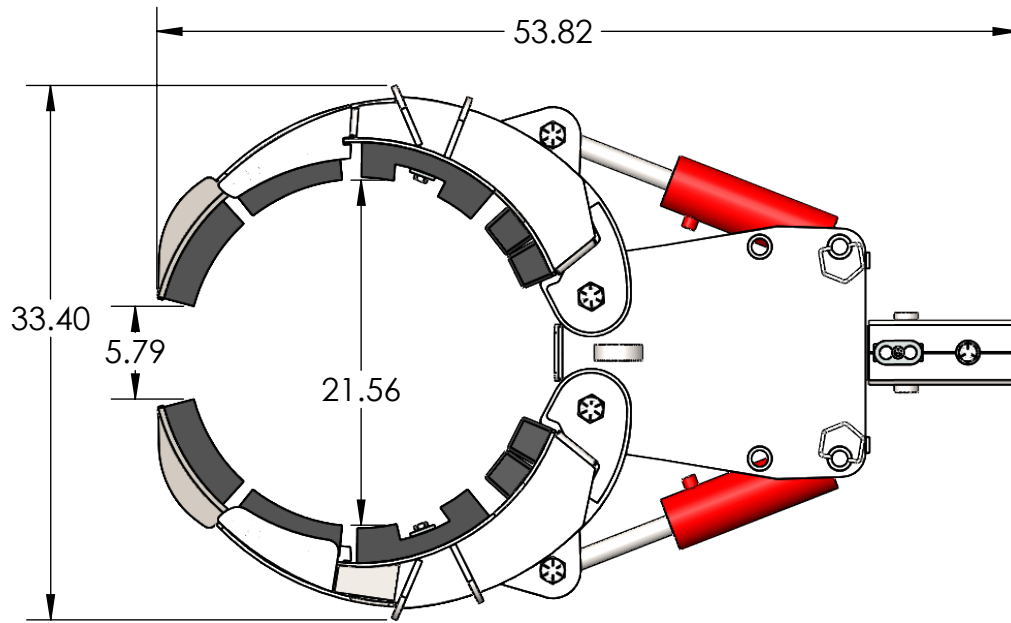
5

4

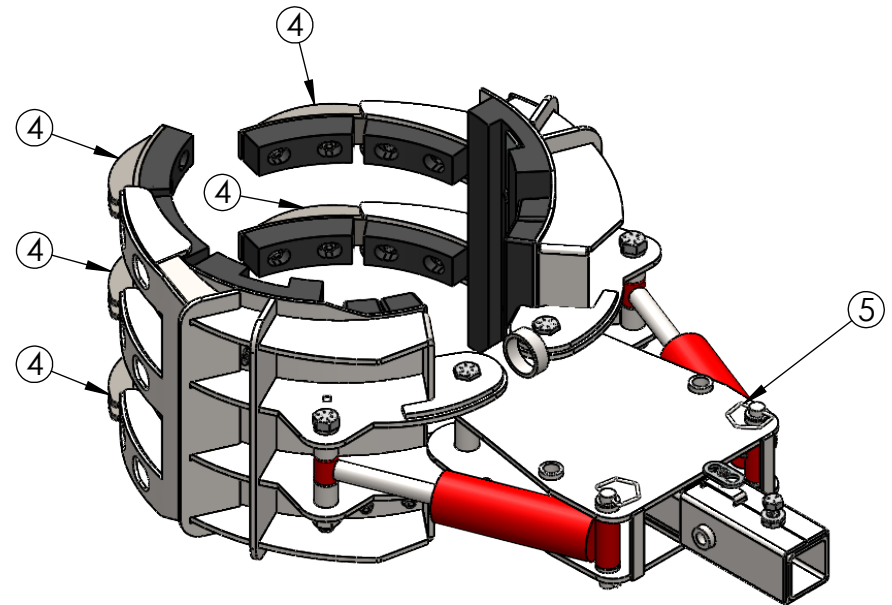
3

2

1



ITEM NO.	PART NUMBER	DESCRIPTION	QTY.
1	FA13161	7/16"-14 x 2" GRADE 5 ZINC HEX CAP SCREW	10
2	FA13163	7/16"-14 x 2-1/2" GRADE 5 ZINC HEX CAP SCREW	10
3	FA0166990	1/2"-13 GRADE F ZINC FLANGE TOP LOCK NUT	20
4	TH-01-0003	TIP EXTENSION WELDMENT	5
5	TH-01-0004	ASSY, (CLOSED BACK PIVOT)	1



UNLESS OTHERWISE SPECIFIED:

DIMENSIONS ARE IN INCHES  
 TOLERANCES:  
 FRACTIONAL ±  
 ANGULAR: MACH ± BEND ±  
 TWO PLACE DECIMAL ±  
 THREE PLACE DECIMAL ±

INTERPRET GEOMETRIC  
 TOLERANCING PER:

MATERIAL

FINISH

DO NOT SCALE DRAWING

	NAME	DATE
DRAWN	BEVAN	8/17/2021
CHECKED		
ENG APPR.		
MFG APPR.		
Q.A.		
COMMENTS:		

## EZ-SPOT-UR

TITLE:

5 FINGER TREE HAND WITH  
 INSERTS

SIZE	DWG. NO.	REV
<b>A</b>	TH-01-0025-B - 5 FINGER TREE HAND WITH FINGERTIP EXTENSIONS	

SCALE: 1:12 WEIGHT: 451.08 LBS SHEET 3 OF 4

### PROPRIETARY AND CONFIDENTIAL

THE INFORMATION CONTAINED IN THIS  
 DRAWING IS THE SOLE PROPERTY OF  
 EZ-SPOT-UR. ANY REPRODUCTION IN PART  
 OR AS A WHOLE WITHOUT THE WRITTEN  
 PERMISSION OF EZ-SPOT-UR IS PROHIBITED.

NEXT ASSY

USED ON

APPLICATION

5

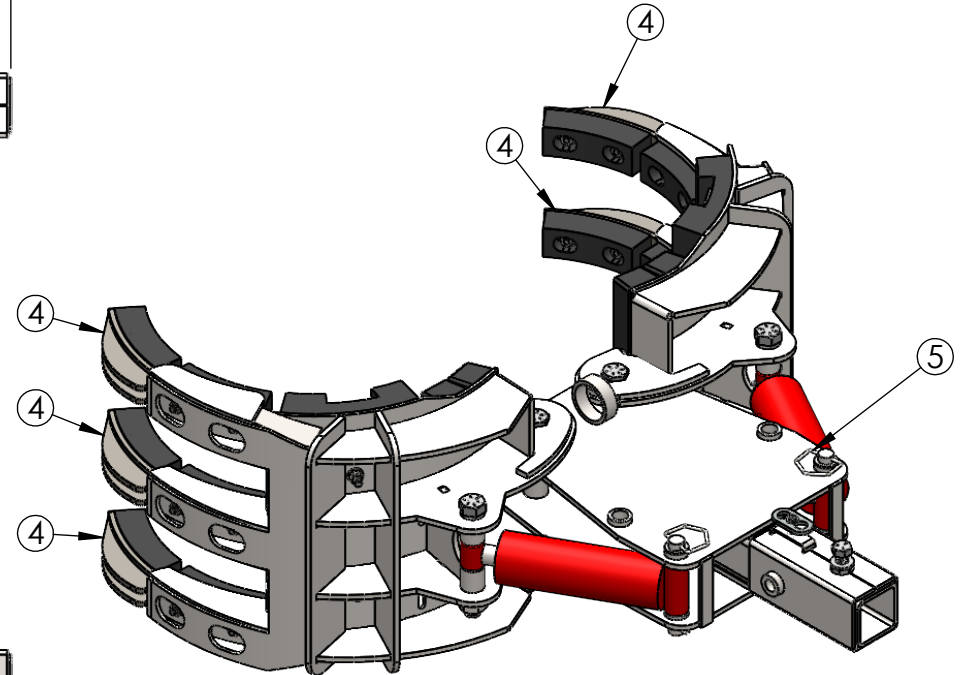
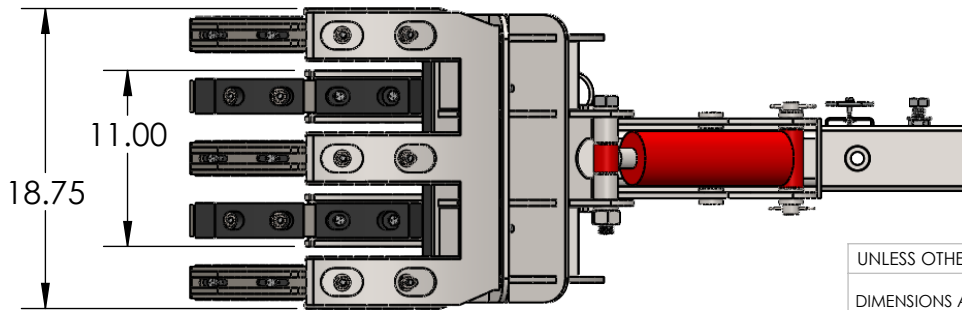
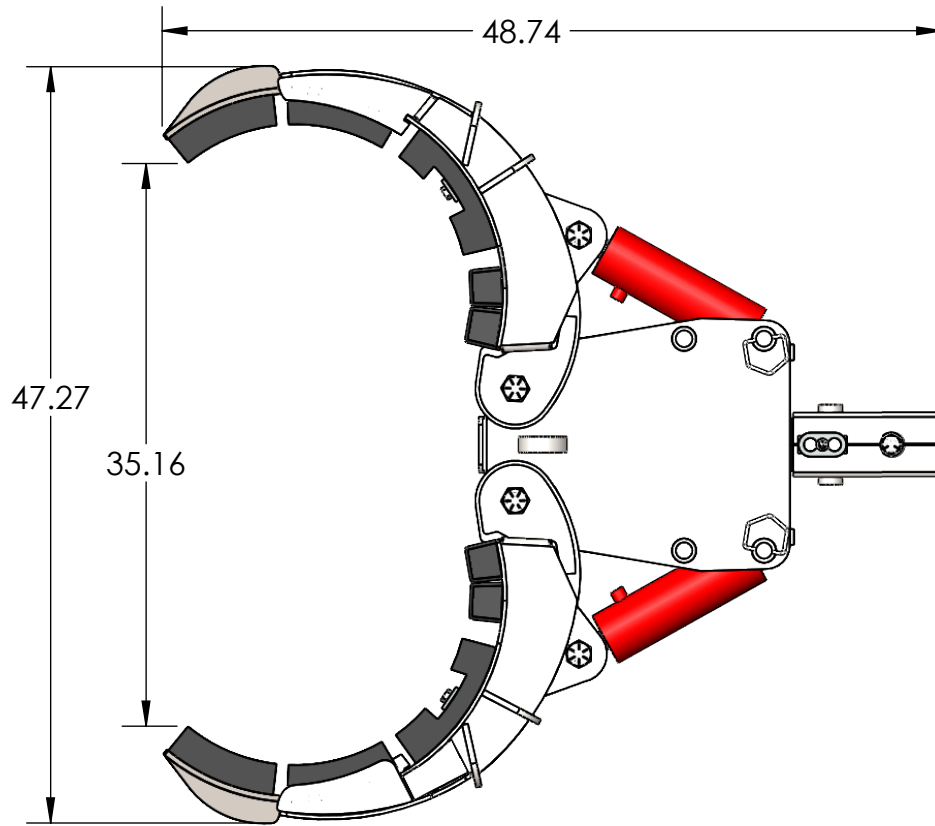
4

3

2

1

ITEM NO.	PART NUMBER	DESCRIPTION	QTY.
1	FA13161	7/16"-14 x 2" GRADE 5 ZINC HEX CAP SCREW	10
2	FA13163	7/16"-14 x 2-1/2" GRADE 5 ZINC HEX CAP SCREW	10
3	FA0166990	1/2"-13 GRADE F ZINC FLANGE TOP LOCK NUT	20
4	TH-01-0003	TIP EXTENSION WELDMENT	5
5	TH-01-0004	TREE HAND OPEN BACK PIVOT	1



UNLESS OTHERWISE SPECIFIED:

DIMENSIONS ARE IN INCHES  
 TOLERANCES:  
 FRACTIONAL ±  
 ANGULAR: MACH ± BEND ±  
 TWO PLACE DECIMAL ±  
 THREE PLACE DECIMAL ±

INTERPRET GEOMETRIC  
 TOLERANCING PER:

MATERIAL

FINISH

DO NOT SCALE DRAWING

	NAME	DATE
DRAWN	BEVAN	8/17/2021
CHECKED		
ENG APPR.		
MFG APPR.		
Q.A.		
COMMENTS:		

# EZ-SPOT-UR

TITLE:

5 FINGER TREE HAND WITH  
 INSERTS

SIZE	DWG. NO.	REV
<b>A</b>	TH-01-0025-B - 5 FINGER TREE HAND WITH FINGERTIP EXTENSIONS	

SCALE: 1:12 WEIGHT: 451.08 LBS SHEET 4 OF 4

**PROPRIETARY AND CONFIDENTIAL**

THE INFORMATION CONTAINED IN THIS  
 DRAWING IS THE SOLE PROPERTY OF  
 EZ-SPOT-UR. ANY REPRODUCTION IN PART  
 OR AS A WHOLE WITHOUT THE WRITTEN  
 PERMISSION OF EZ-SPOT-UR IS PROHIBITED.

NEXT ASSY	USED ON	APPLICATION

5

4

3

2

1