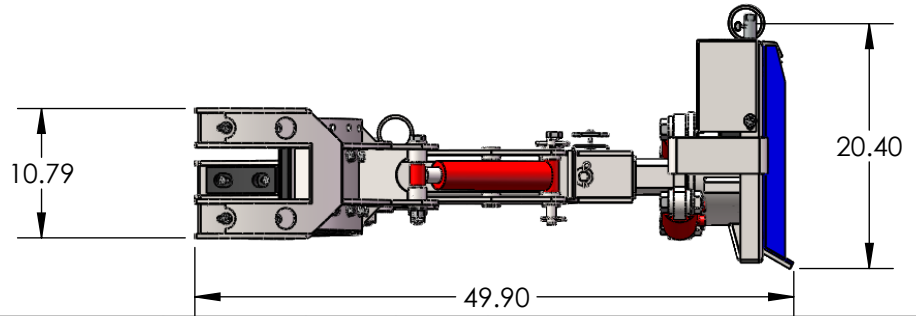
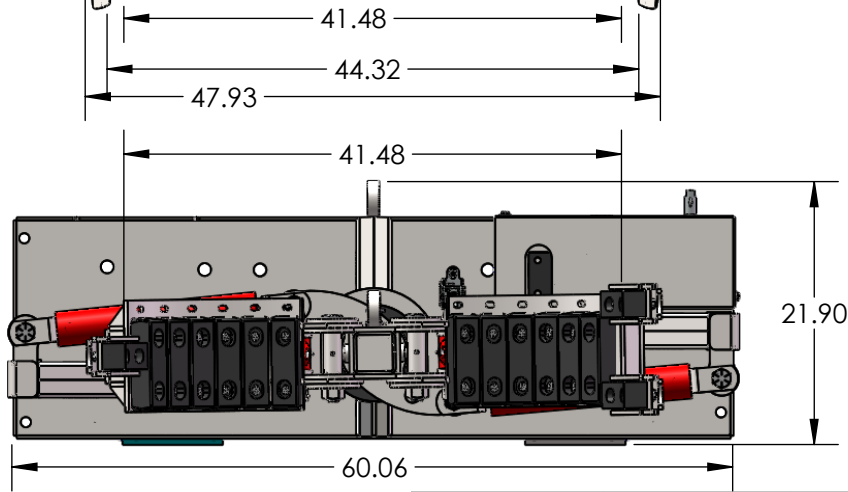
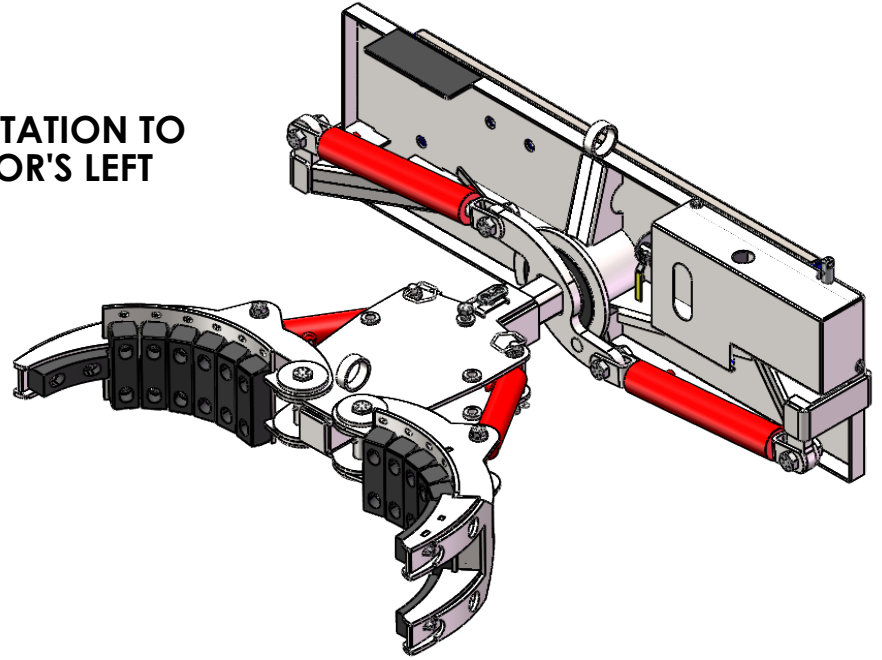


127° ROTATION TO OPERATOR'S LEFT

2" BORE X 6" STROKE
9425 LB PUSH
7069 LB PULL

2.5" BORE X 12.5" STROKE
14726 LB PUSH
11045 LB PULL



PROPRIETARY AND CONFIDENTIAL

THE INFORMATION CONTAINED IN THIS DRAWING IS THE SOLE PROPERTY OF EZ-SPOT-UR. ANY REPRODUCTION IN PART OR AS A WHOLE WITHOUT THE WRITTEN PERMISSION OF EZ-SPOT-UR IS PROHIBITED.

		UNLESS OTHERWISE SPECIFIED:	NAME	DATE
		DIMENSIONS ARE IN INCHES	BEVAN	10-17-12
		TOLERANCES:		
		FRACTIONAL ±		
		ANGULAR: MACH ± BEND ±		
		TWO PLACE DECIMAL ±		
		THREE PLACE DECIMAL ±		
		INTERPRET GEOMETRIC TOLERANCING PER:	Q.A.	
		MATERIAL	COMMENTS:	
NEXT ASSY	USED ON	FINISH		
APPLICATION		DO NOT SCALE DRAWING		

EZ-SPOT-UR

TITLE:

**NO ROTATION OPEN
BACK PIVOT**

SIZE A	DWG. NO. TH-01-3013 - 3 FINGER TH WITH STANDARD BASE	REV
------------------	--	-----

SCALE: 1:16 WEIGHT: 678.52 LB\$ SHEET 3 OF 8