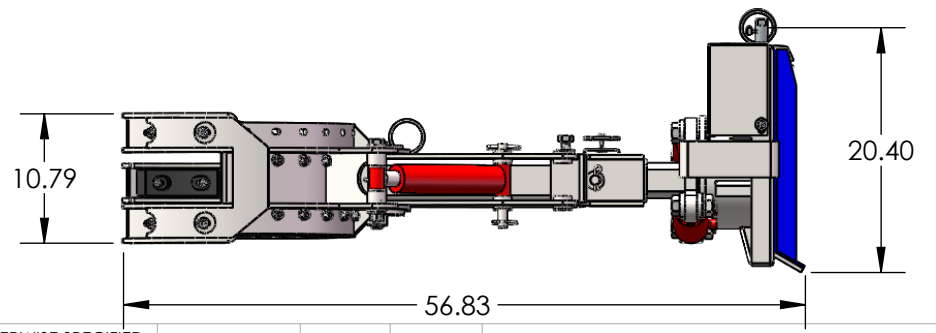
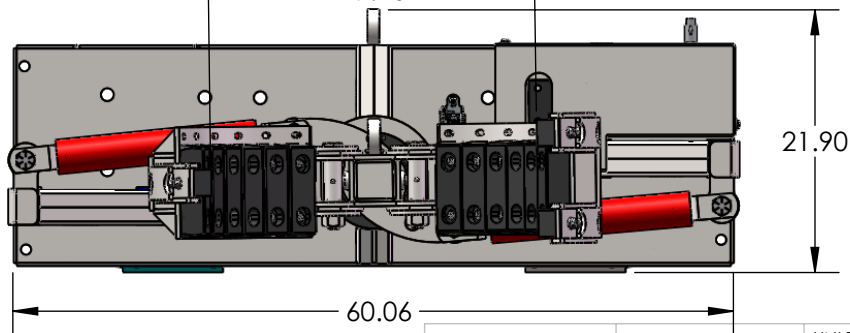
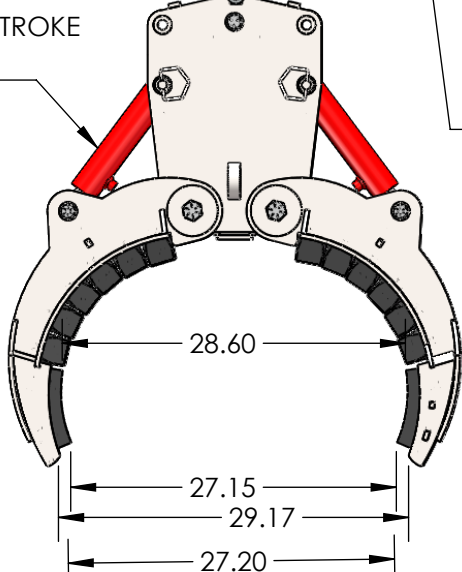
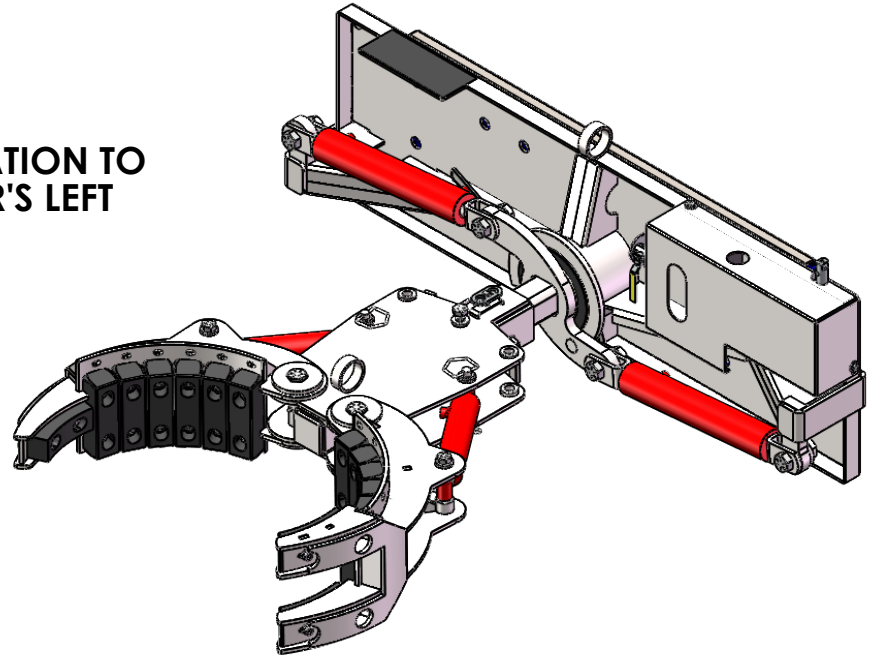


2" BORE X 6" STROKE
9425 LB PUSH
7069 LB PULL

127° ROTATION TO
OPERATOR'S LEFT

2.5" BORE X 12.5" STROKE
14726 LB PUSH
11045 LB PULL



UNLESS OTHERWISE SPECIFIED:

DIMENSIONS ARE IN INCHES
TOLERANCES:
FRACTIONAL ±
ANGULAR: MACH ± BEND ±
TWO PLACE DECIMAL ±
THREE PLACE DECIMAL ±

INTERPRET GEOMETRIC
TOLERANCING PER:

MATERIAL

FINISH

DO NOT SCALE DRAWING

	NAME	DATE
DRAWN	BEVAN	10-17-12
CHECKED		
ENG APPR.		
MFG APPR.		
Q.A.		
COMMENTS:		

EZ-SPOT-UR

TITLE:

**NO ROTATION OPEN
FRONT PIVOT**

SIZE	DWG. NO.	REV
A	TH-01-3013 - 3 FINGER TH WITH STANDARD BASE	

SCALE: 1:16 WEIGHT: 678.52 LBS SHEET 4 OF 8

PROPRIETARY AND CONFIDENTIAL

THE INFORMATION CONTAINED IN THIS
DRAWING IS THE SOLE PROPERTY OF
EZ-SPOT-UR. ANY REPRODUCTION IN PART
OR AS A WHOLE WITHOUT THE WRITTEN
PERMISSION OF EZ-SPOT-UR IS PROHIBITED.

NEXT ASSY

USED ON

APPLICATION

5

4

3

2

1