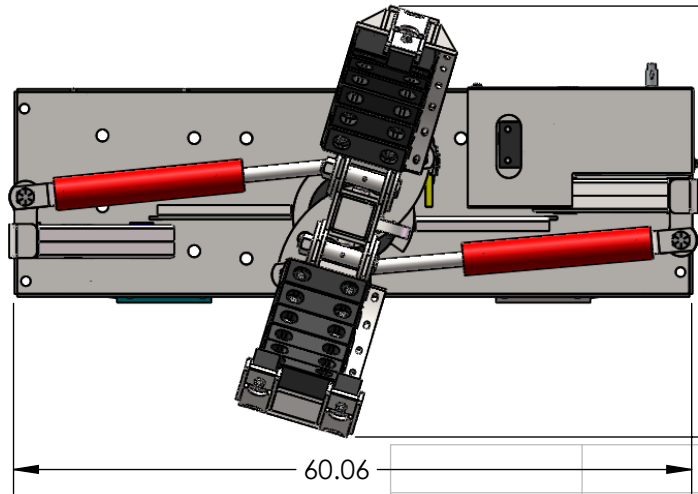
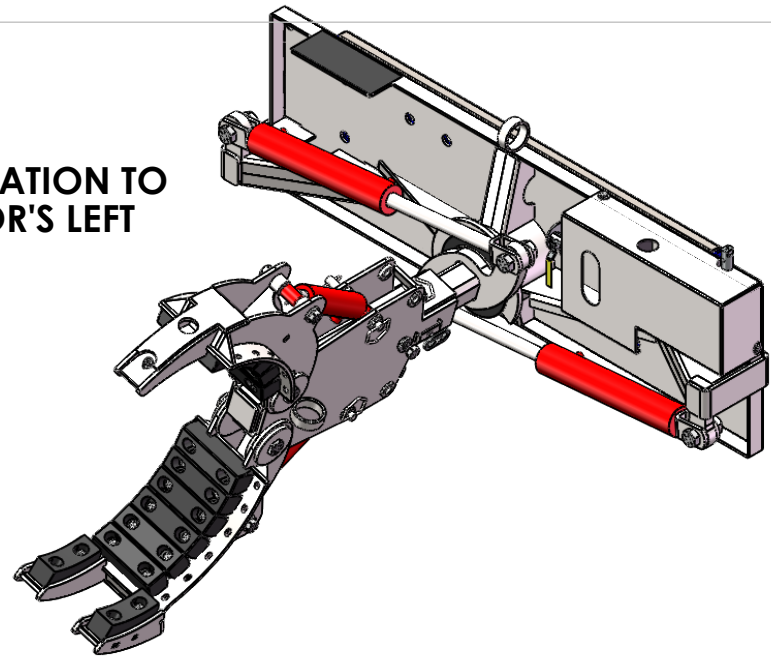


2" BORE X 6" STROKE  
9425 LB PUSH  
7069 LB PULL

56.89

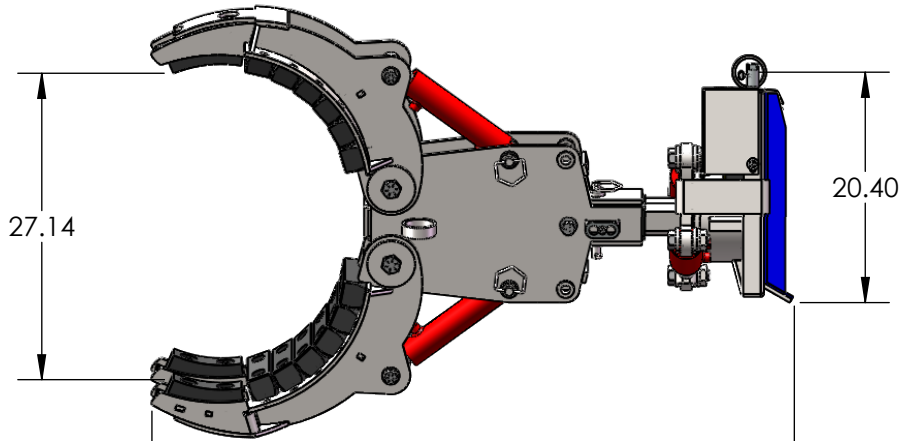
2.5" BORE X 12.5" STROKE  
14726 LB PUSH  
11045 LB PULL

127° ROTATION TO  
OPERATOR'S LEFT



60.06

38.14



27.14

20.40

56.87

UNLESS OTHERWISE SPECIFIED:

DIMENSIONS ARE IN INCHES  
TOLERANCES:  
FRACTIONAL ±  
ANGULAR: MACH ± BEND ±  
TWO PLACE DECIMAL ±  
THREE PLACE DECIMAL ±

INTERPRET GEOMETRIC  
TOLERANCING PER:  
MATERIAL

FINISH

DO NOT SCALE DRAWING

	NAME	DATE
DRAWN	BEVAN	10-17-12
CHECKED		
ENG APPR.		
MFG APPR.		
Q.A.		
COMMENTS:		

**EZ-SPOT-UR**

TITLE:

**ROTATED OPEN  
FRONT PIVOT**

SIZE	DWG. NO.	REV
<b>A</b>	TH-01-3013 - 3 FINGER TH WITH STANDARD BASE	

SCALE: 1:17 WEIGHT: 678.52 LBS SHEET 8 OF 8

**PROPRIETARY AND CONFIDENTIAL**

THE INFORMATION CONTAINED IN THIS DRAWING IS THE SOLE PROPERTY OF EZ-SPOT-UR. ANY REPRODUCTION IN PART OR AS A WHOLE WITHOUT THE WRITTEN PERMISSION OF EZ-SPOT-UR IS PROHIBITED.

NEXT ASSY

USED ON

APPLICATION

5

4

3

2

1